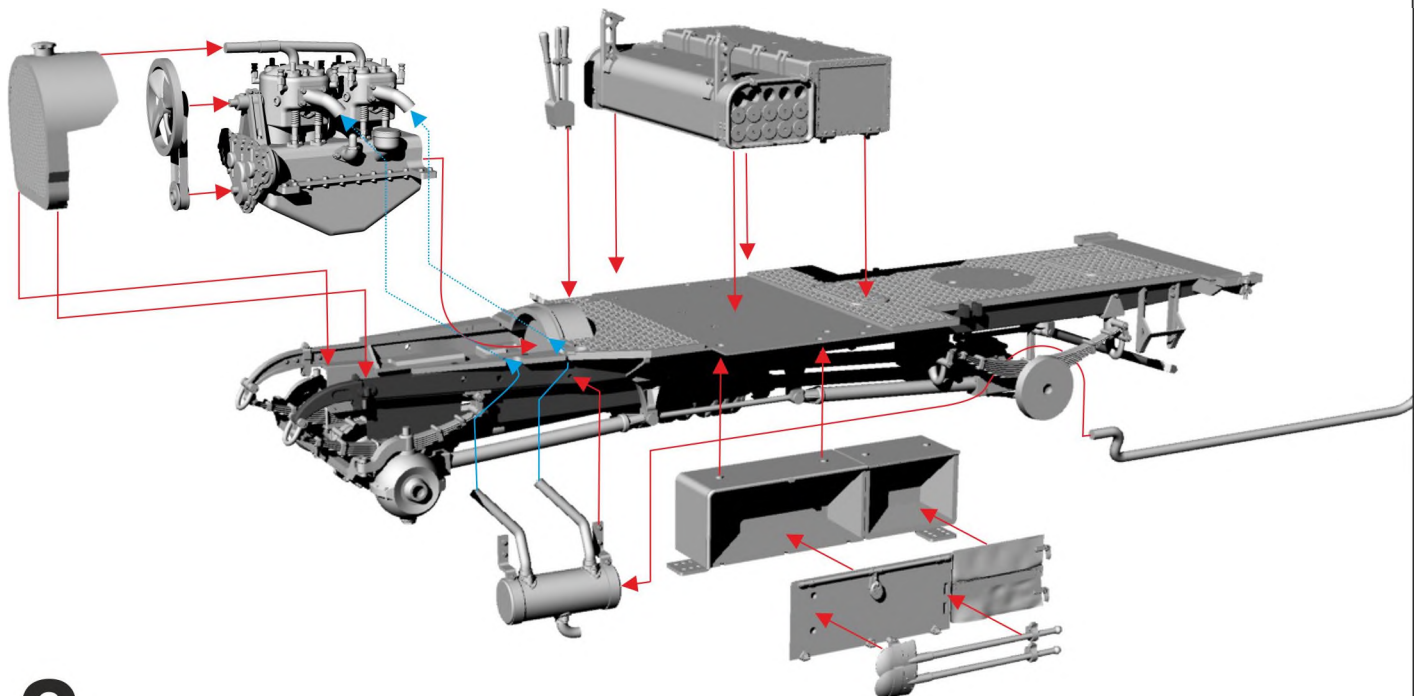
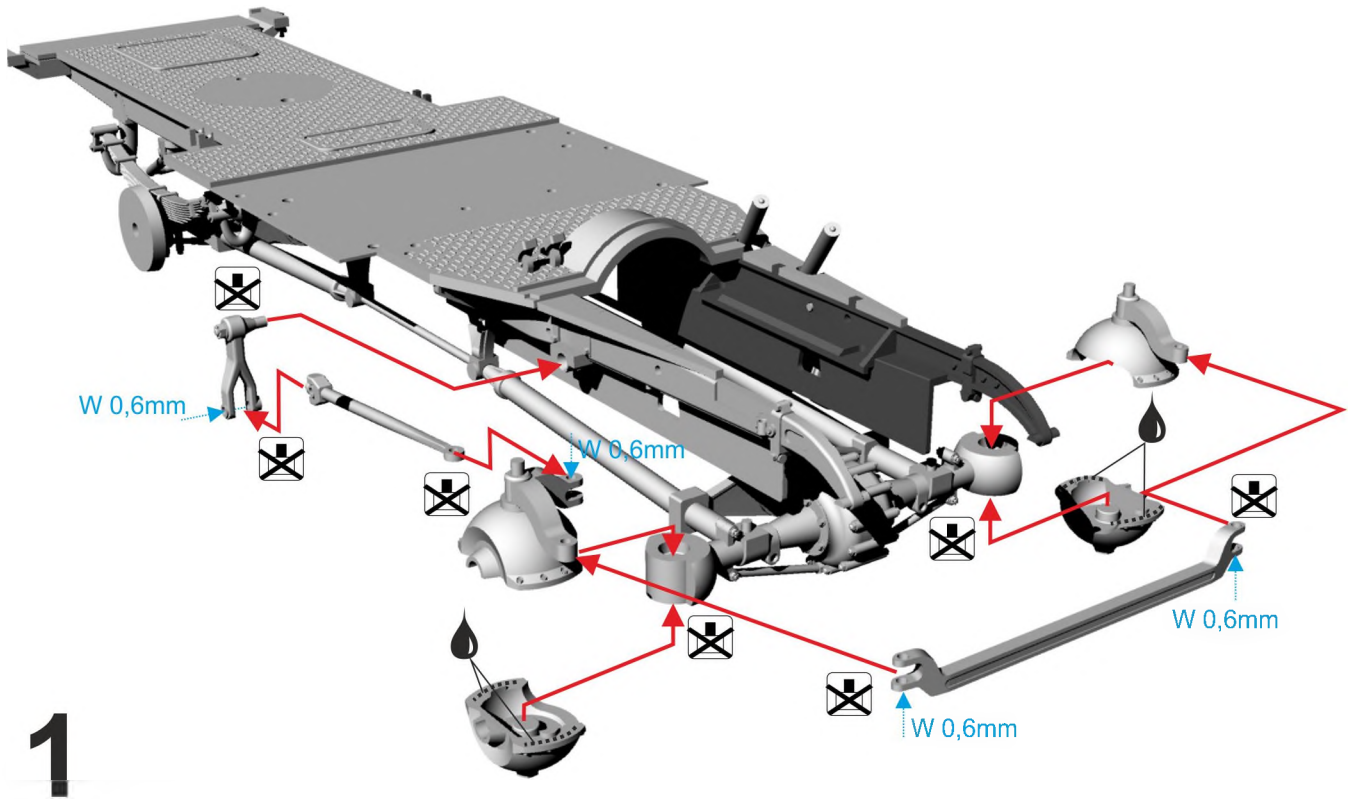


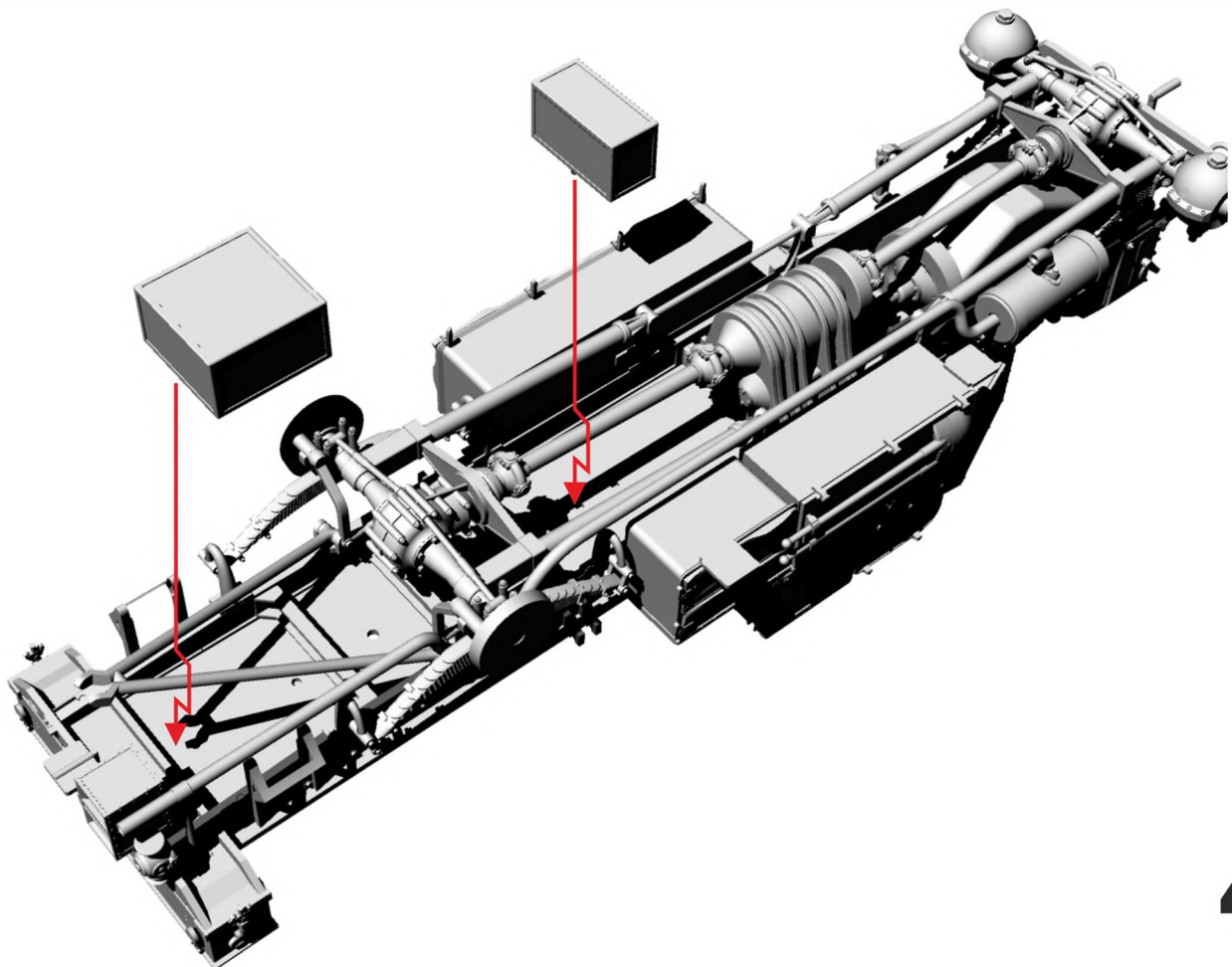
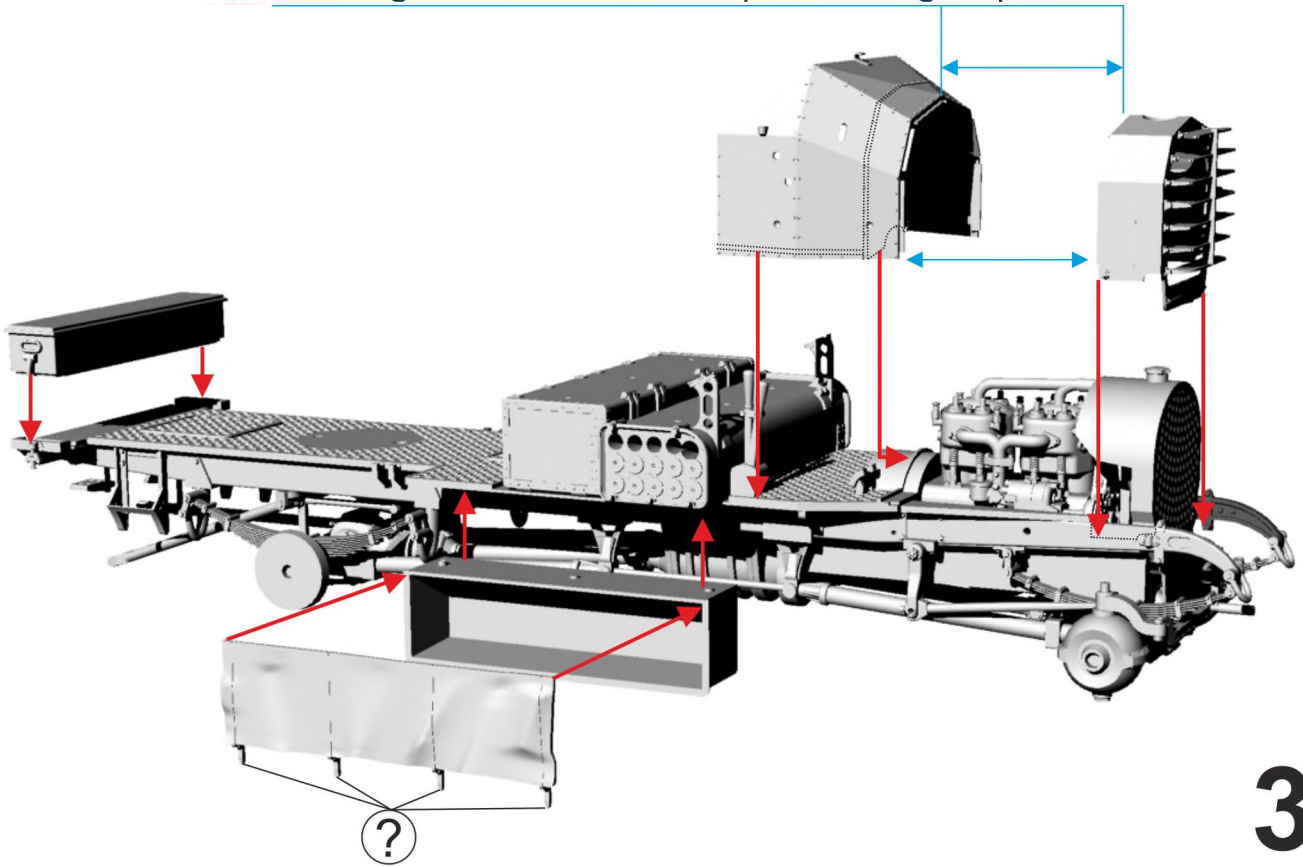


Attention! Some details in the instructions may differ in terms of equipment. These are kits of several individual parts or complex designs with combined parts.



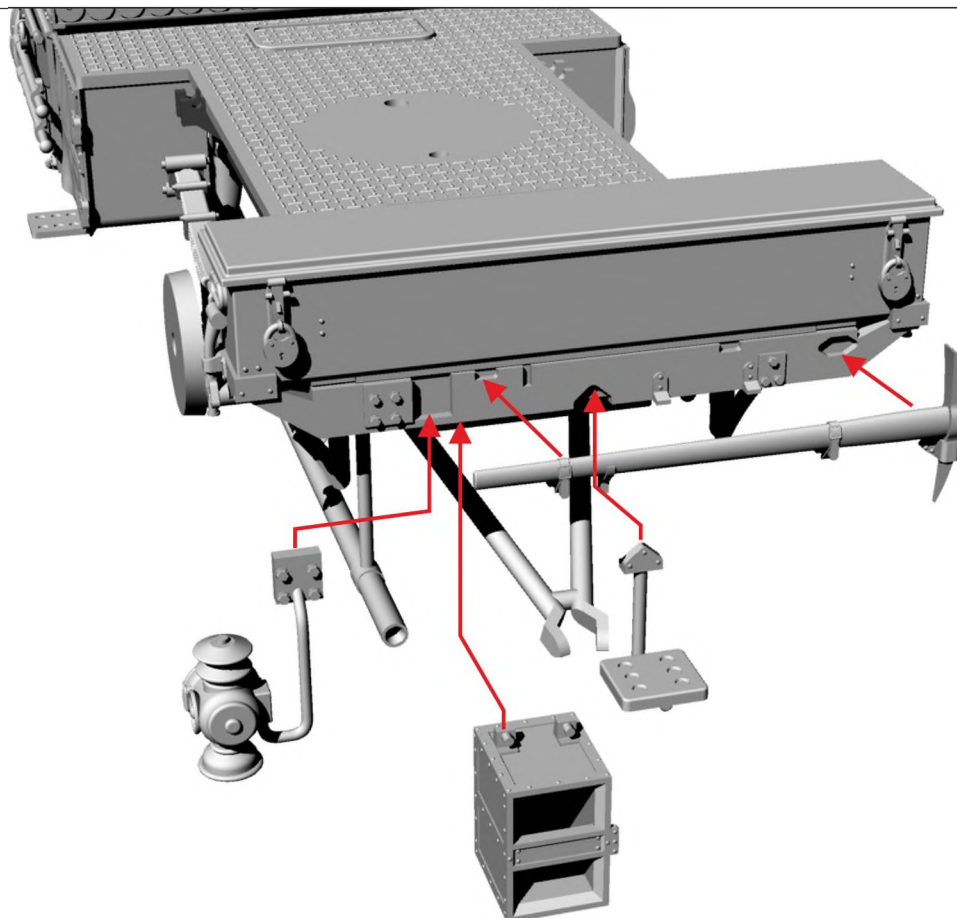
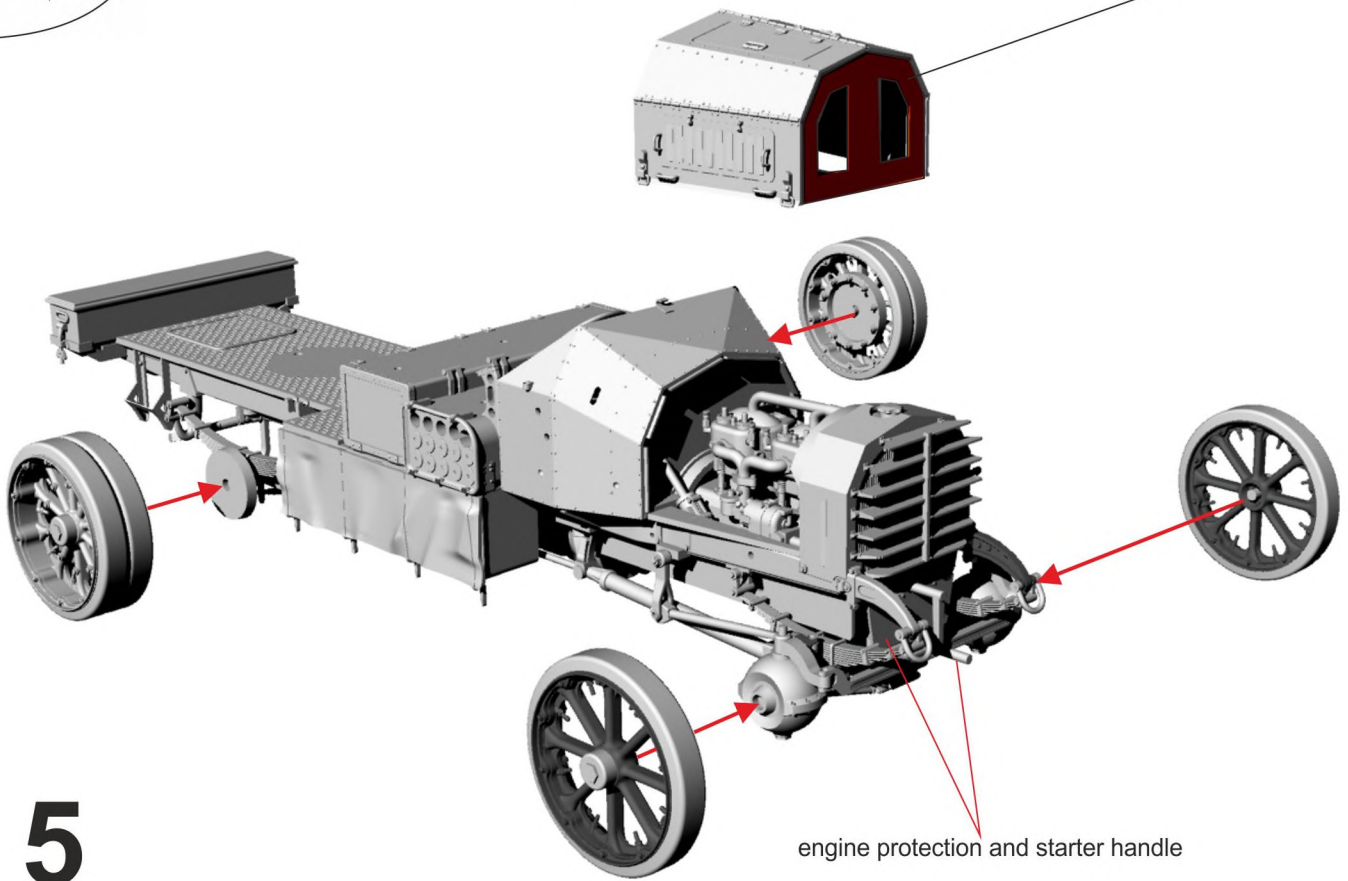


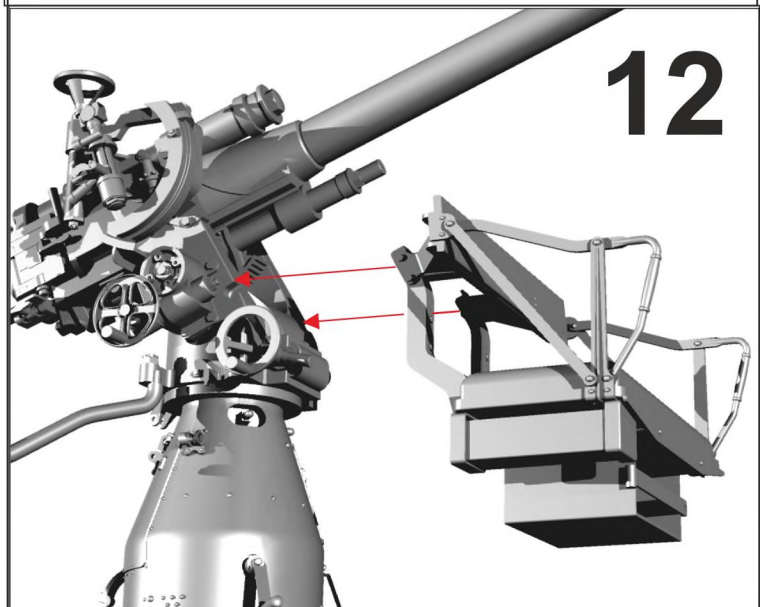
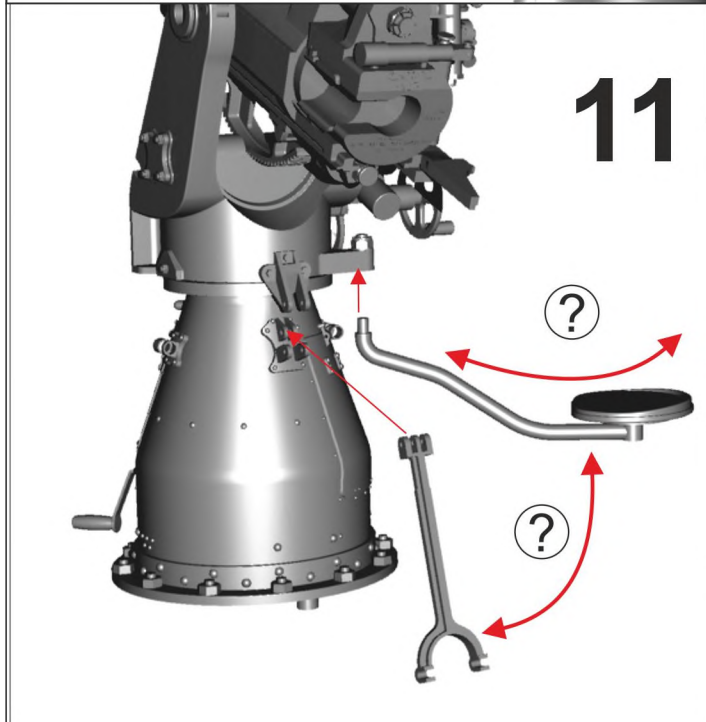
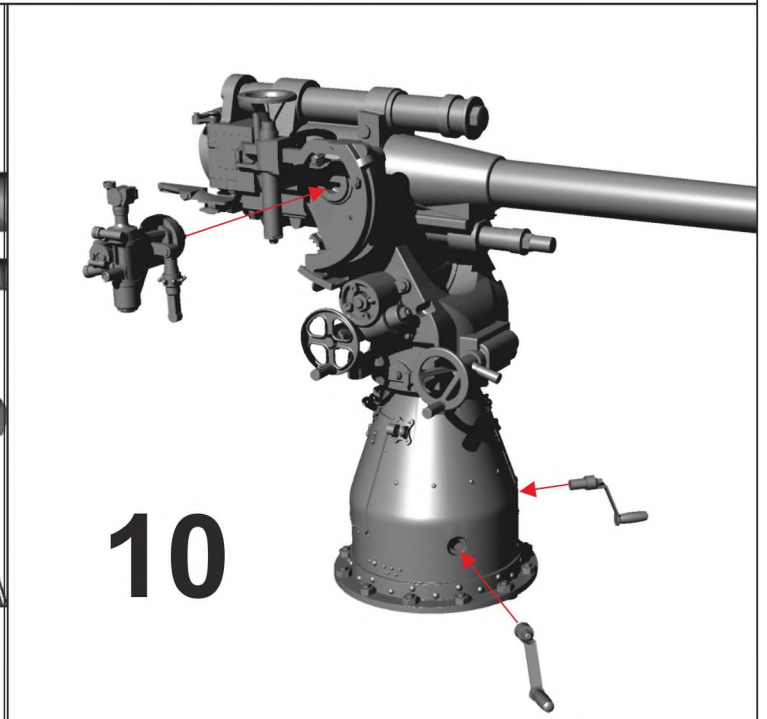
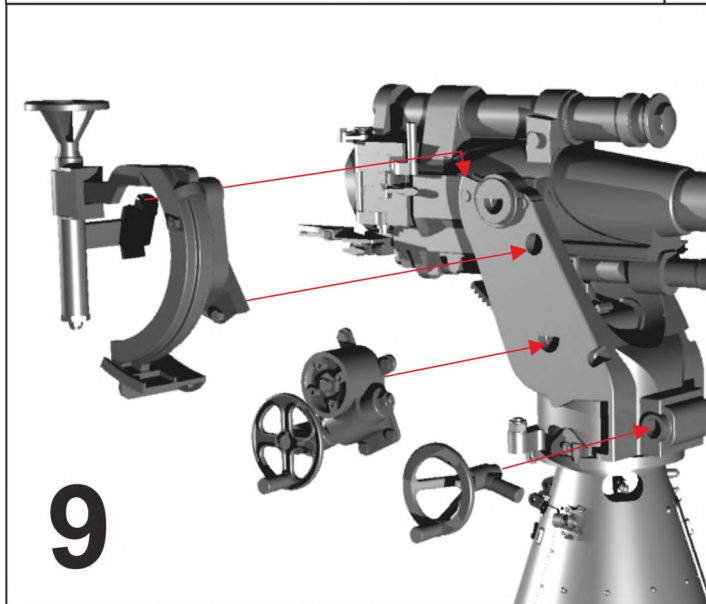
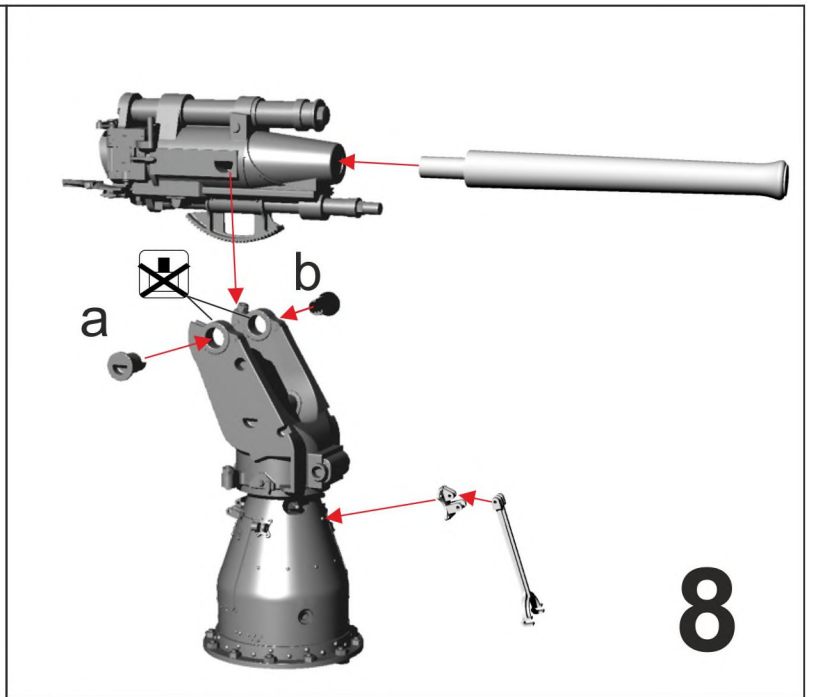
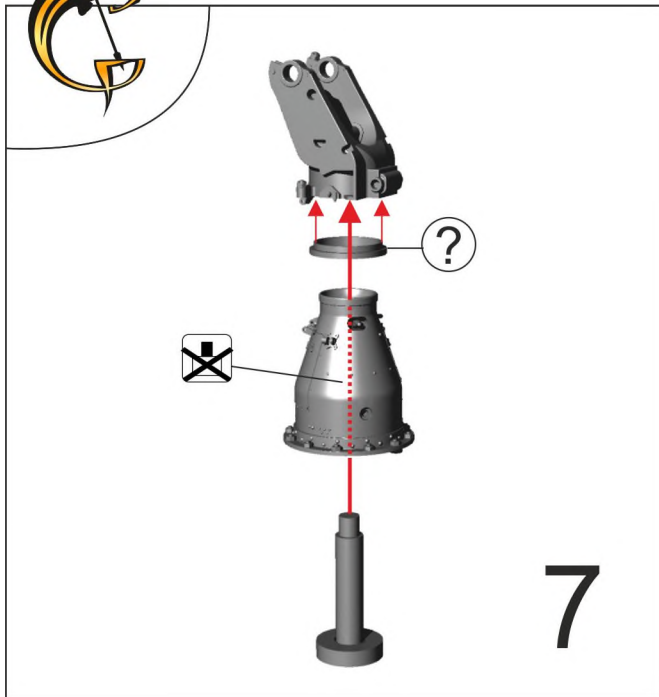
Recommendation. Install a hood (no glue)
for good and accurate positioning of parts

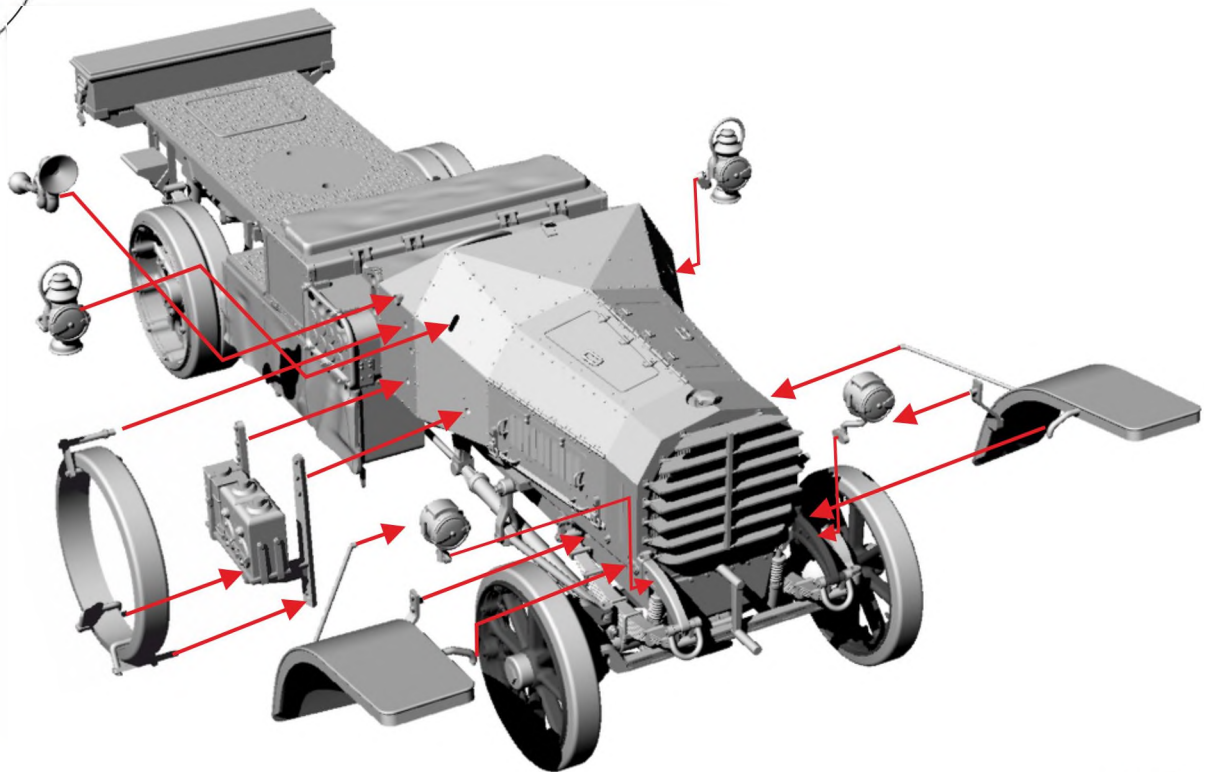




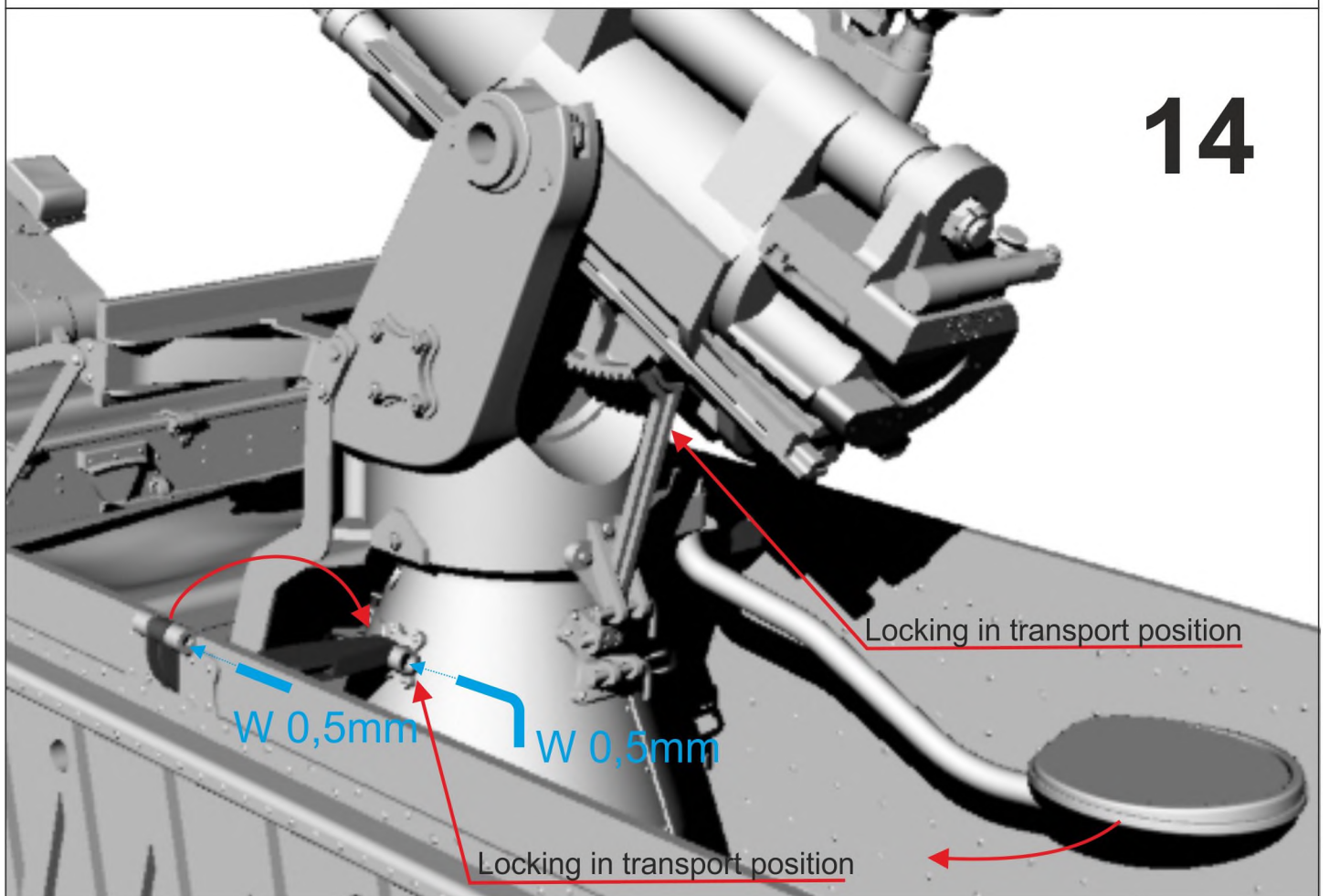
Remove all counter-forces in the interior of the hood.







13

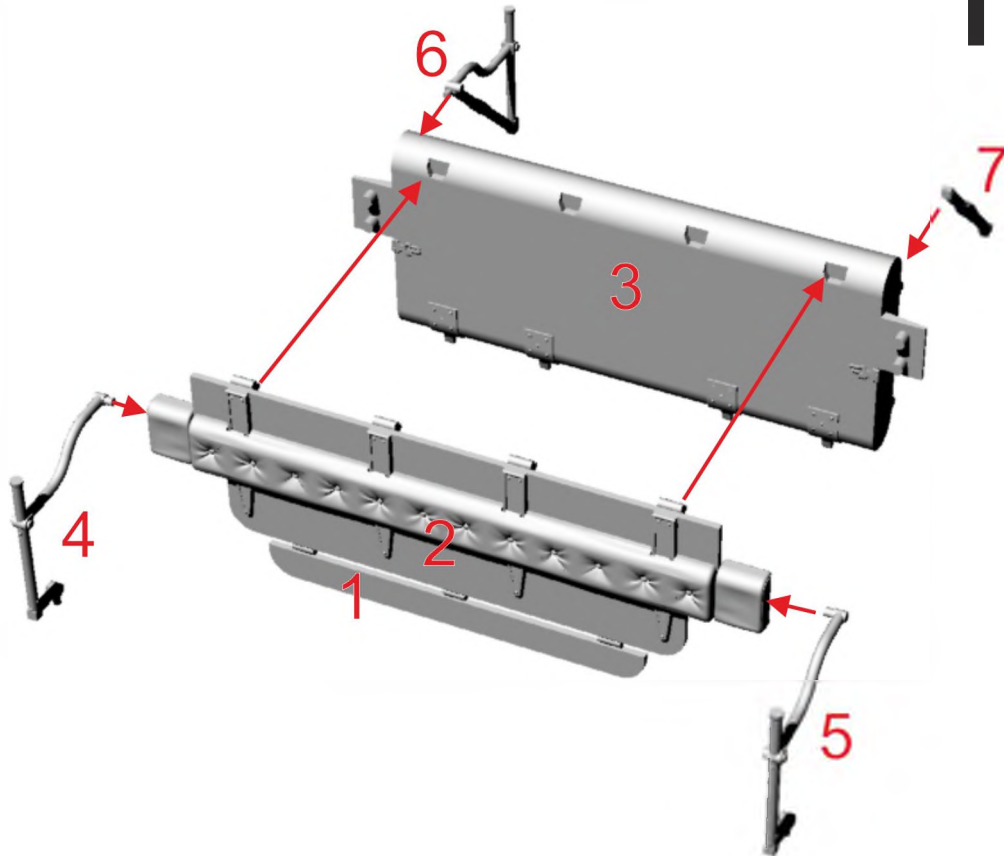


14



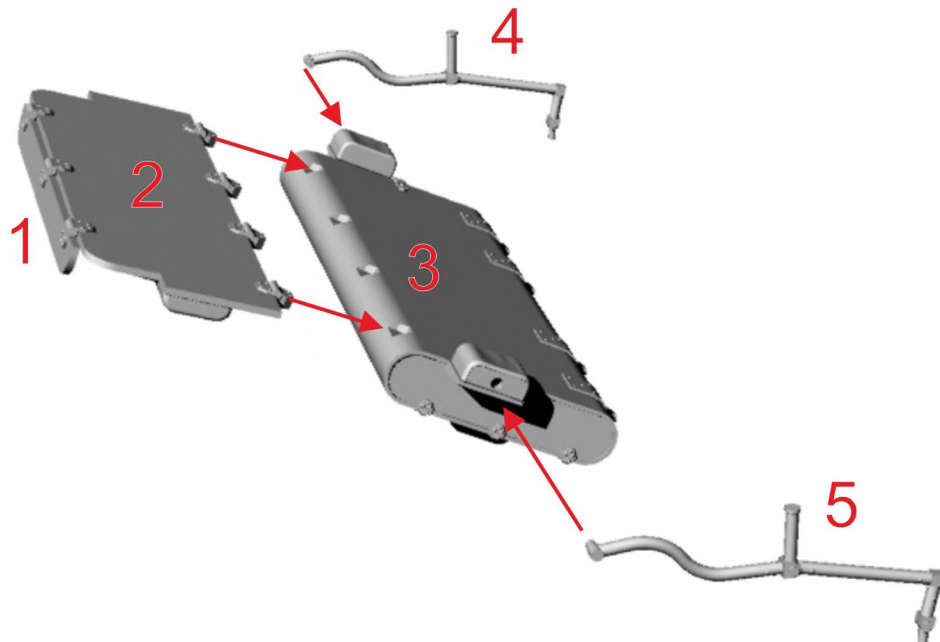
Seat back. transport position

15a



Seat back. shooting position.

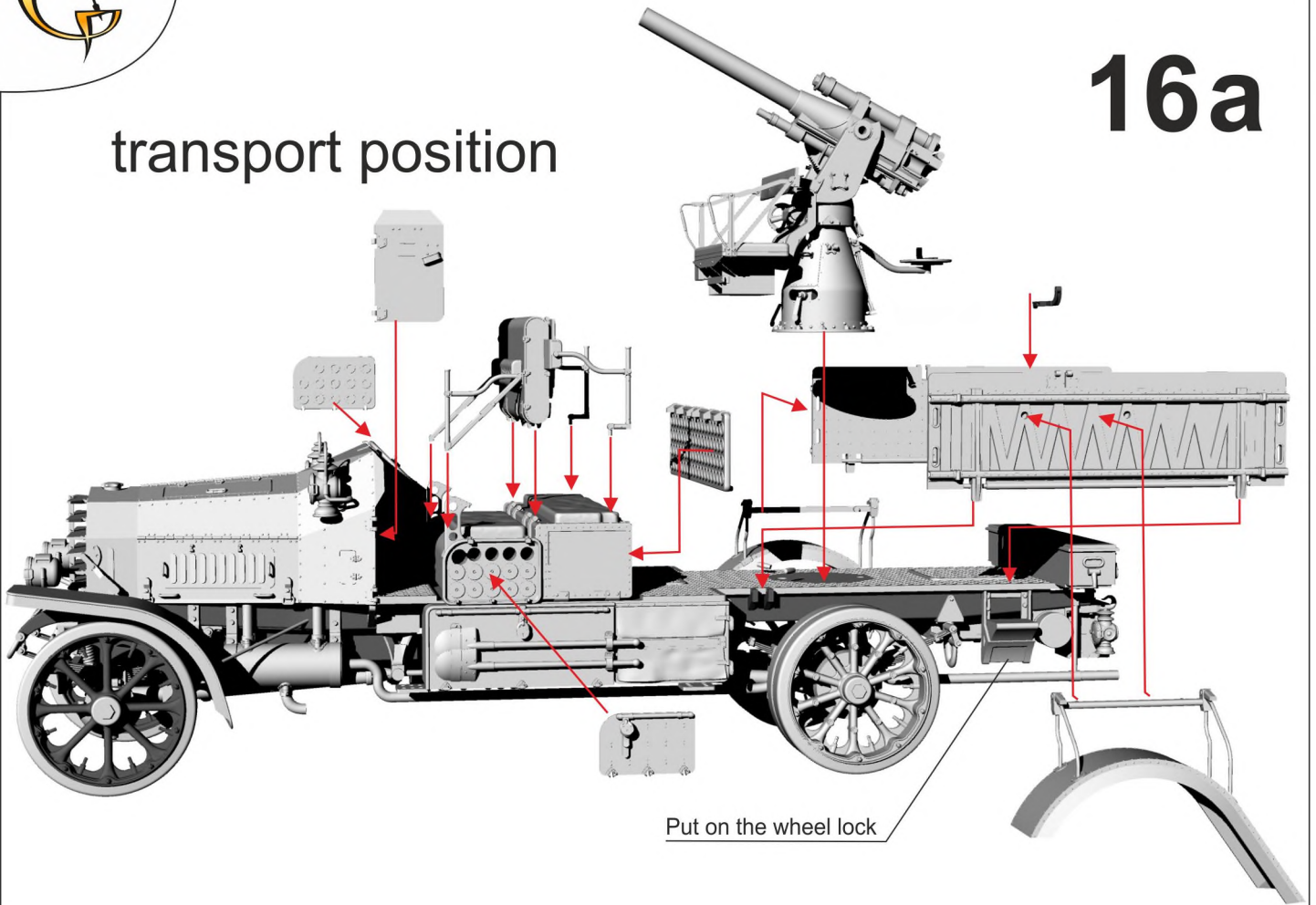
15b





transport position

16a



shooting position.

16b

