



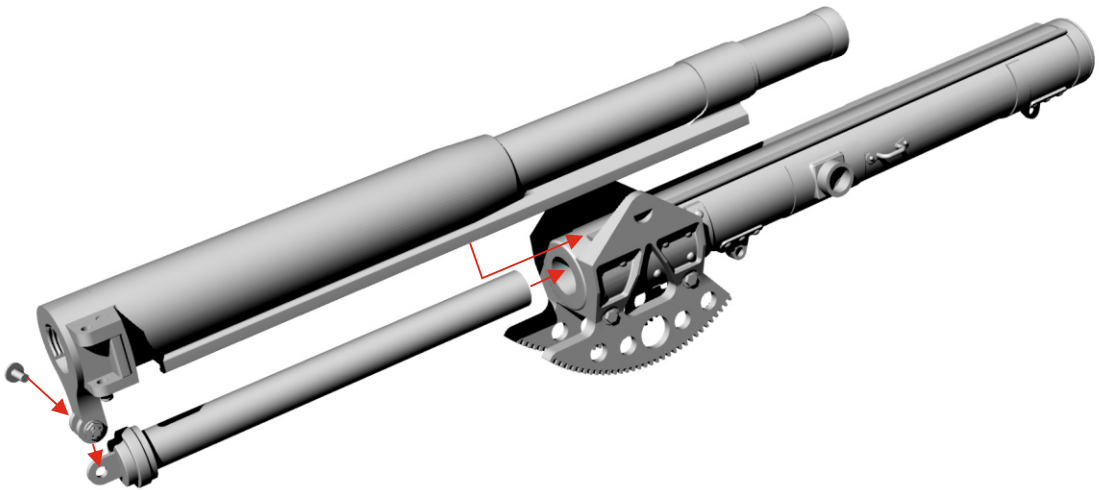
7,62 cm Sockel Flak (russ. 02), Krupp

GM108

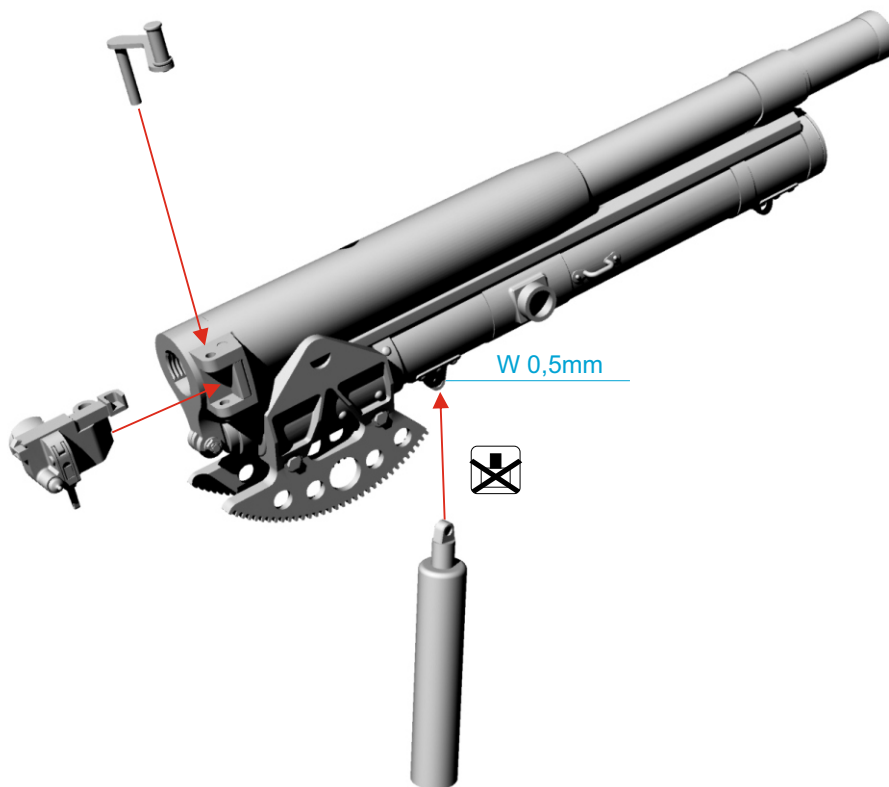
1/35

Attention! Some details in the instructions may differ in terms of equipment. These are kits of several individual parts or complex designs with combined parts.

1



2



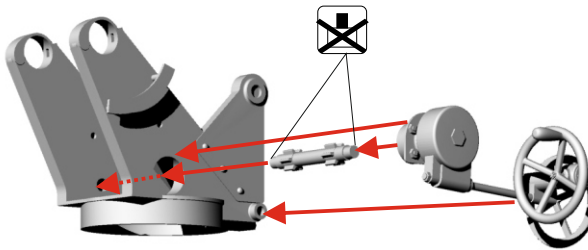


7,62 cm Sockel Flak (russ. 02), Krupp

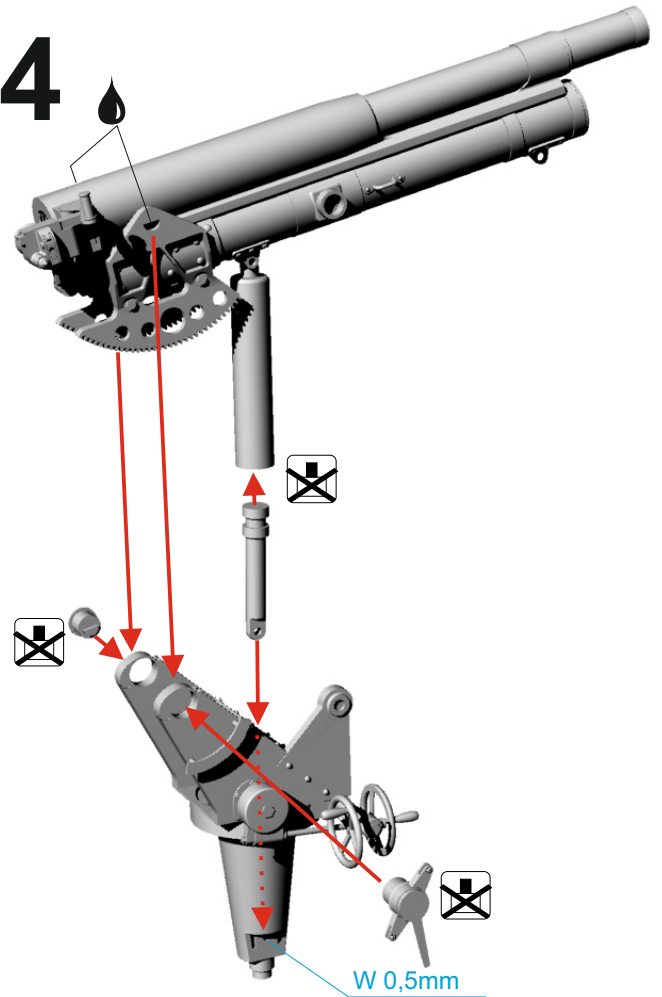
GM108

1/35

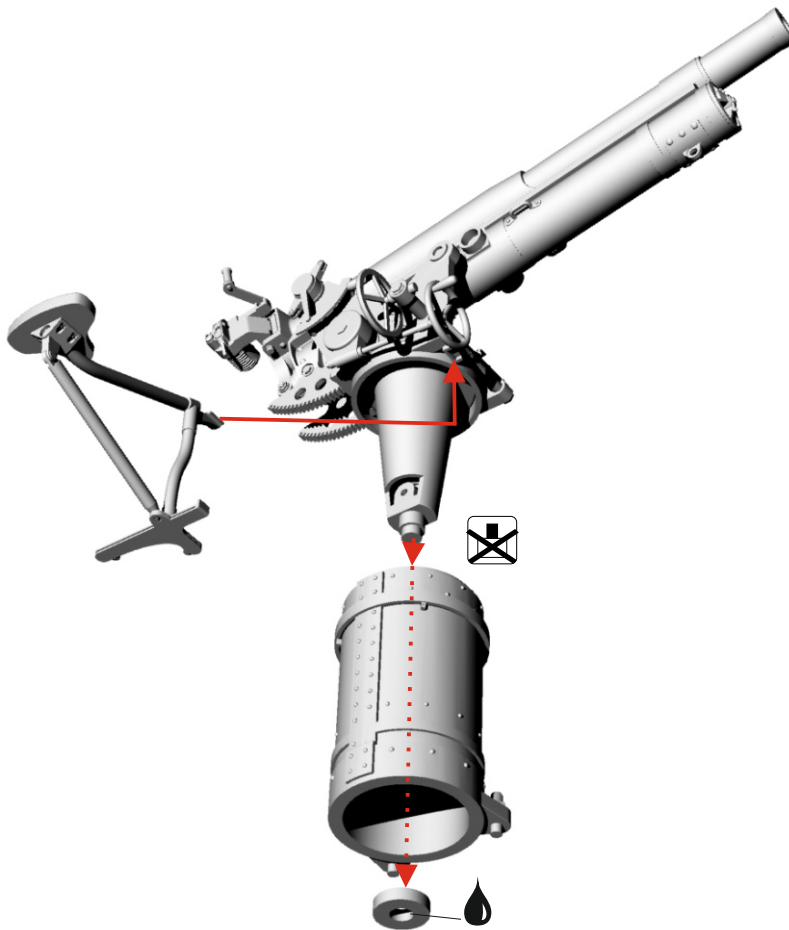
3



4



5



Optional: Part was not used on all models.



Do not glue



Glue

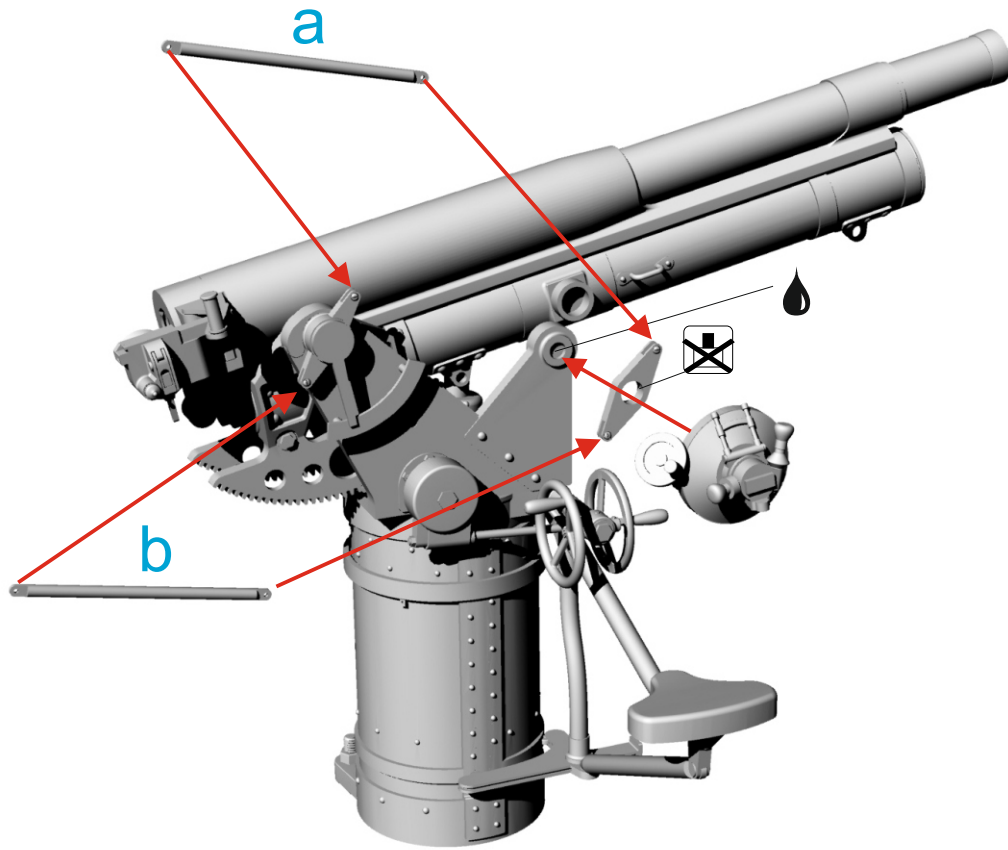
W 0,6mm - wire diameter



7,62 cm Sockel Flak (russ. 02), Krupp

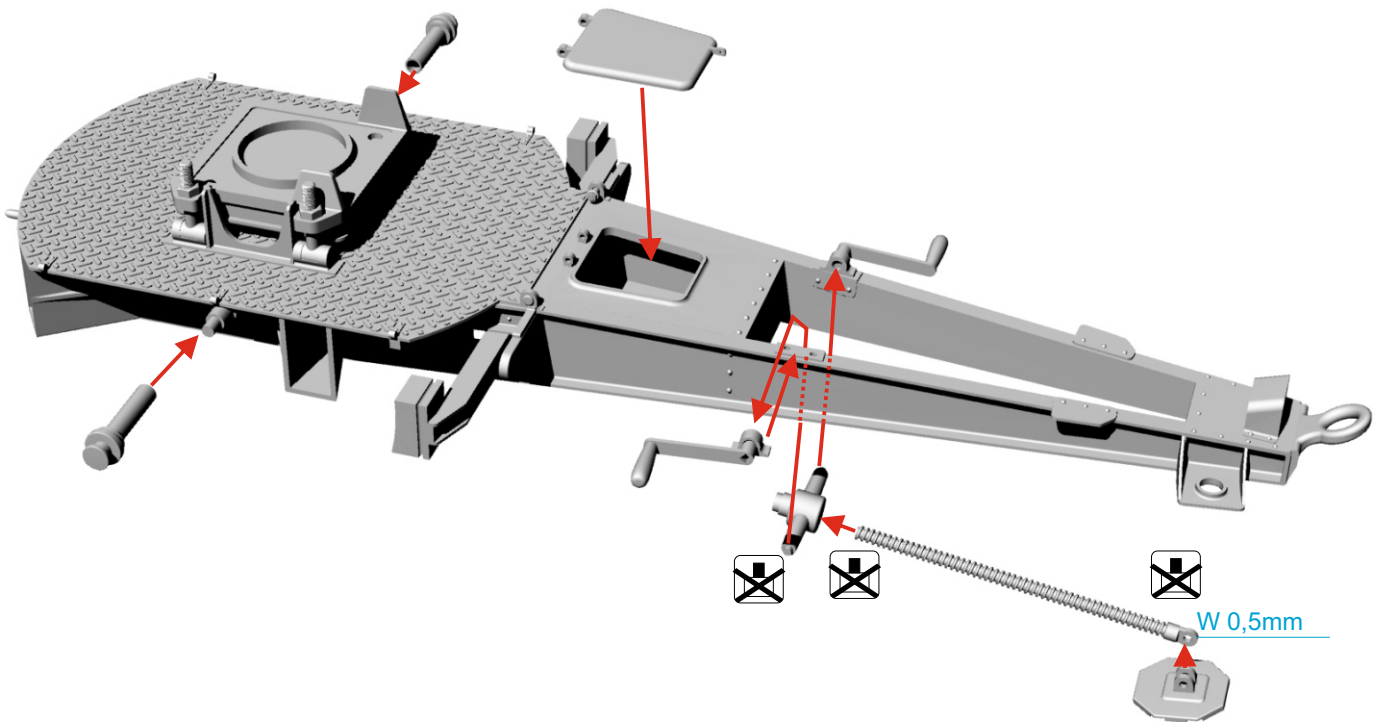
GM108

1/35



6

Raise the gun barrel to the desired position. Put parts **a** and **b**



7



Optional: Part was not used on all models.



Do not glue



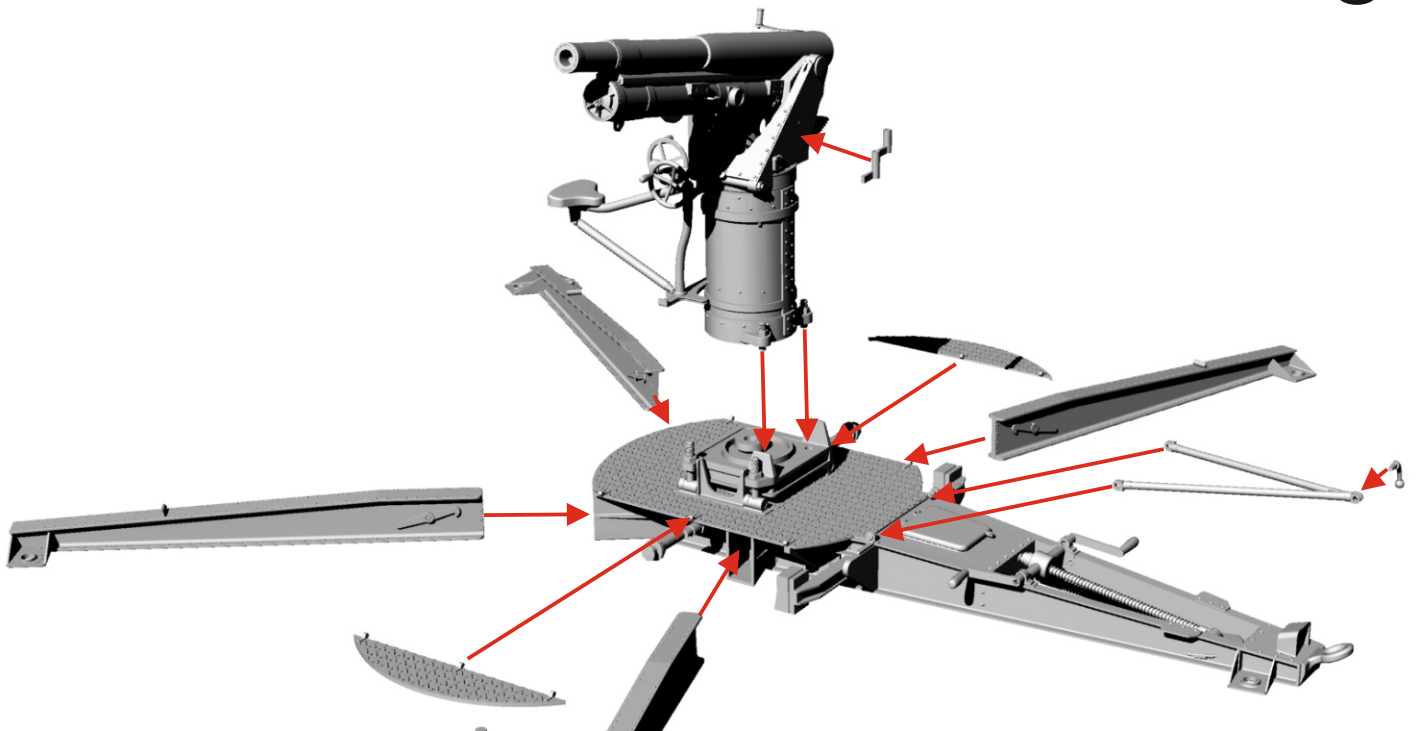
Glue

W 0,6mm - wire diameter



Installation for firing from the ground

8



transport position

9

