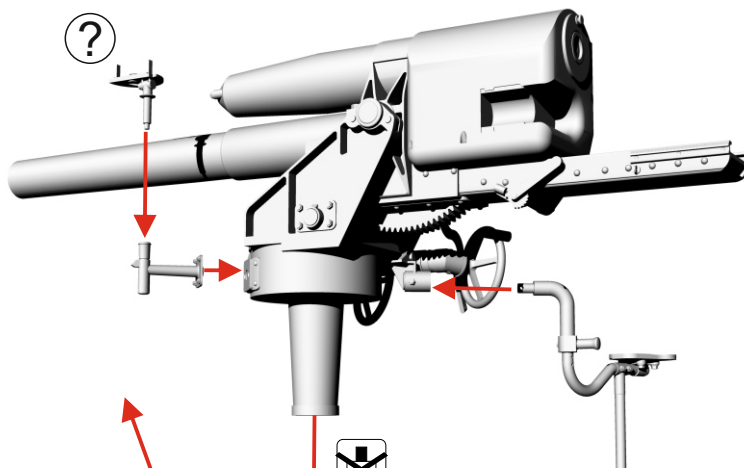
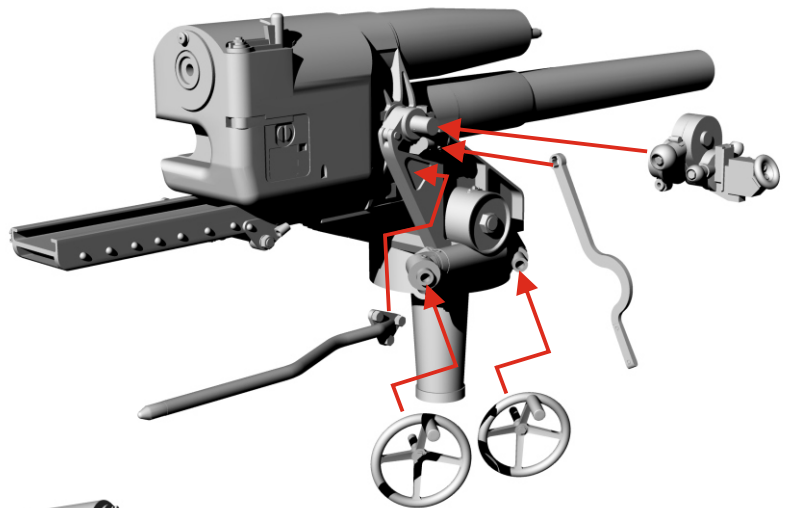
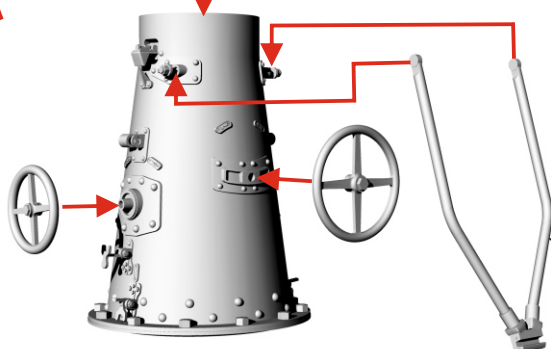


1

2



3



See pictures.12 and 13