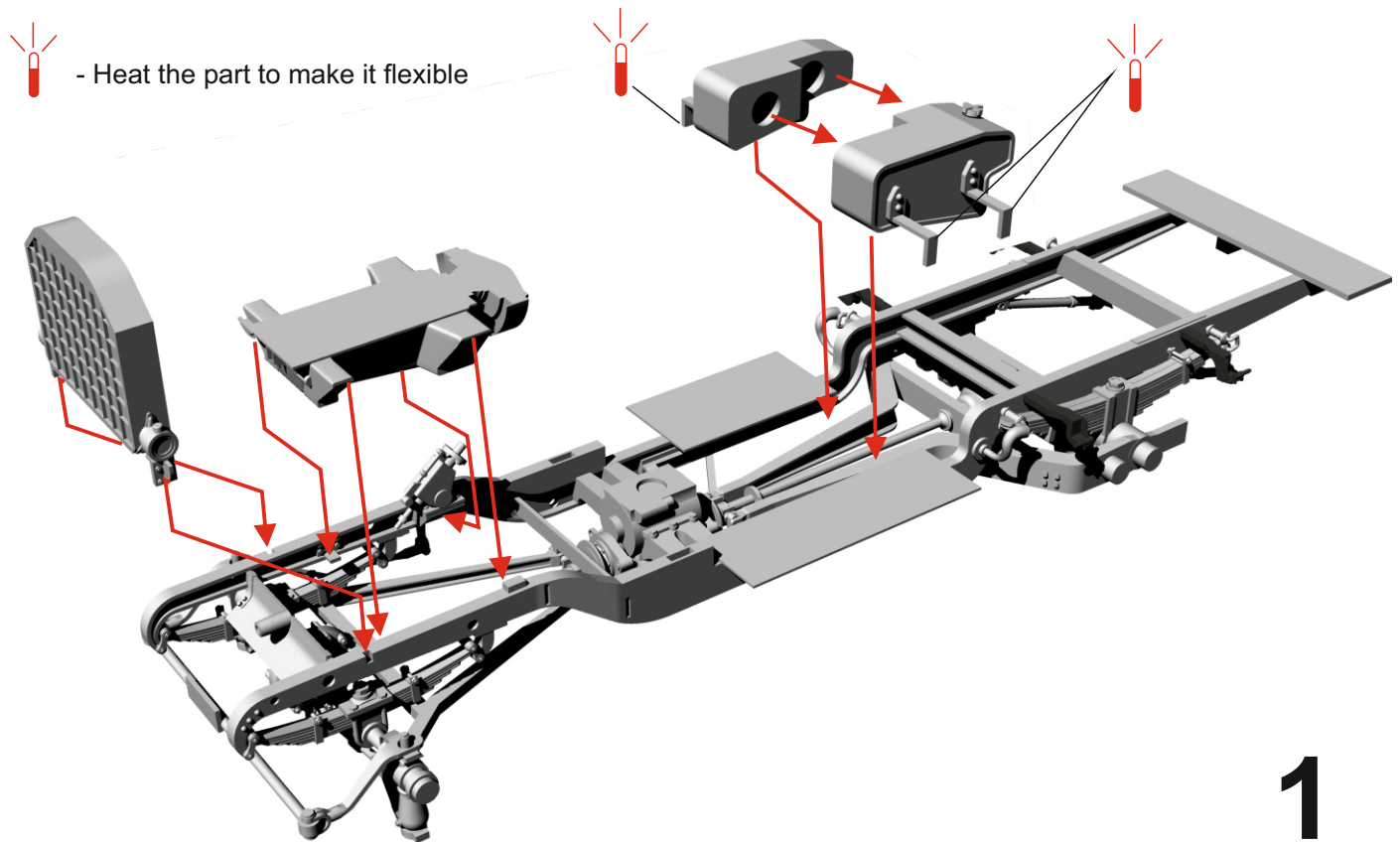
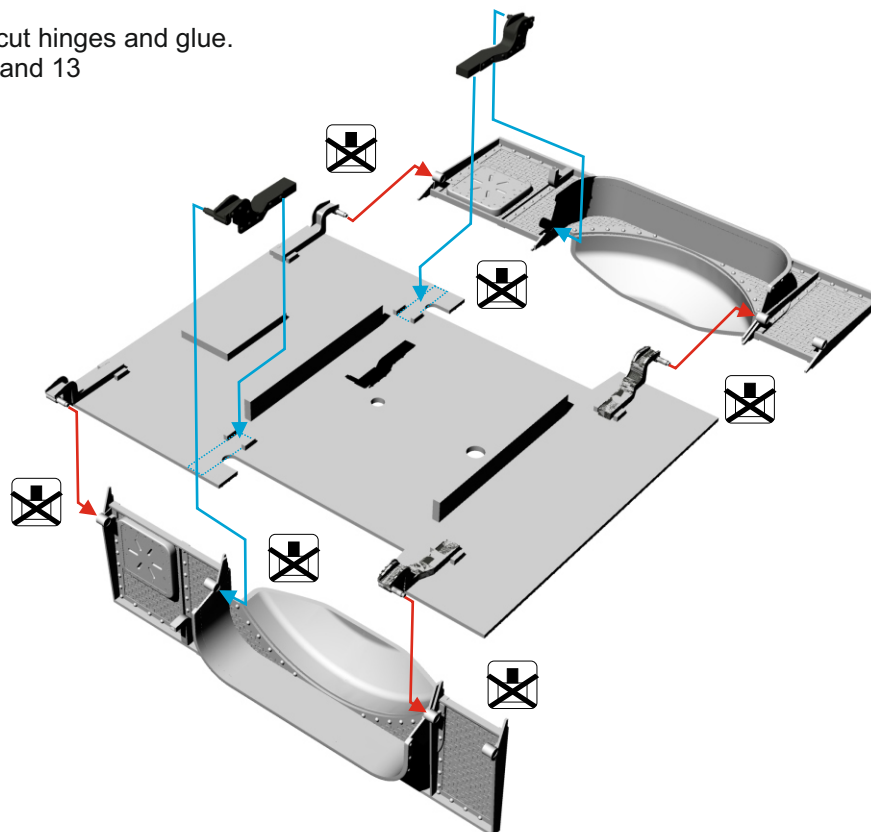




Attention! Some details in the instructions may differ in terms of equipment. These are kits of several individual parts or complex designs with combined parts.

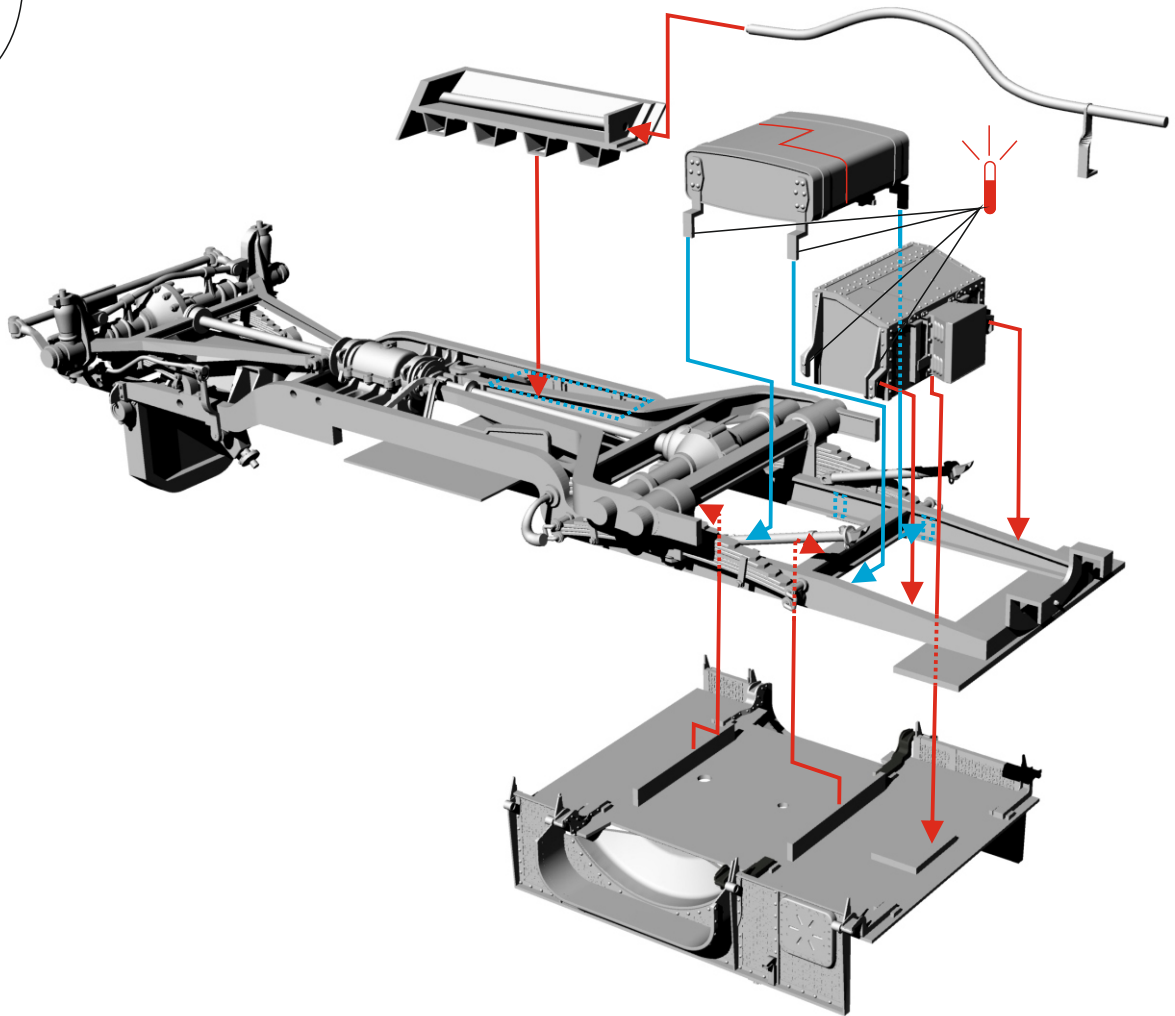


Do not glue. Or cut hinges and glue.
See pictures.12 and 13



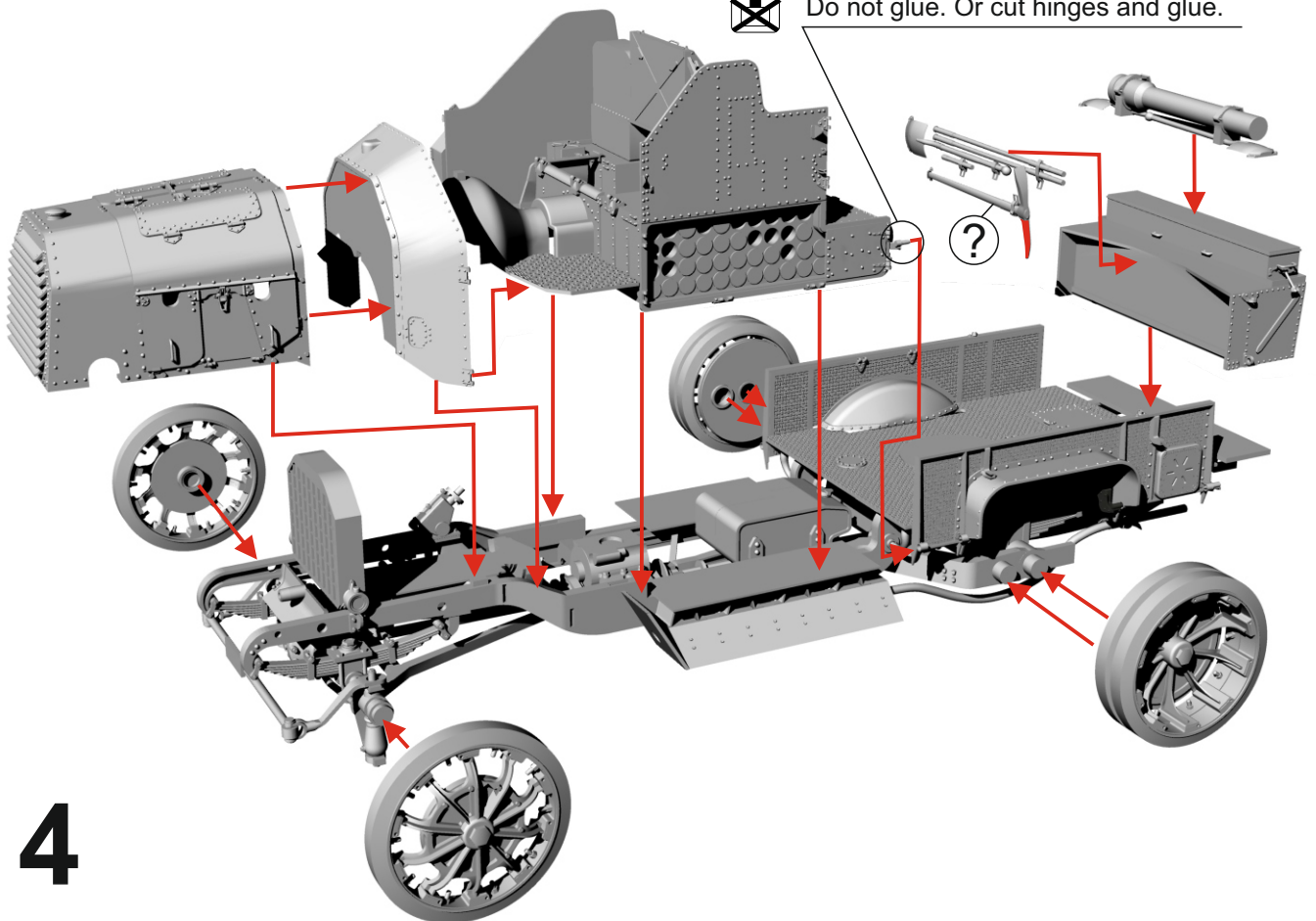


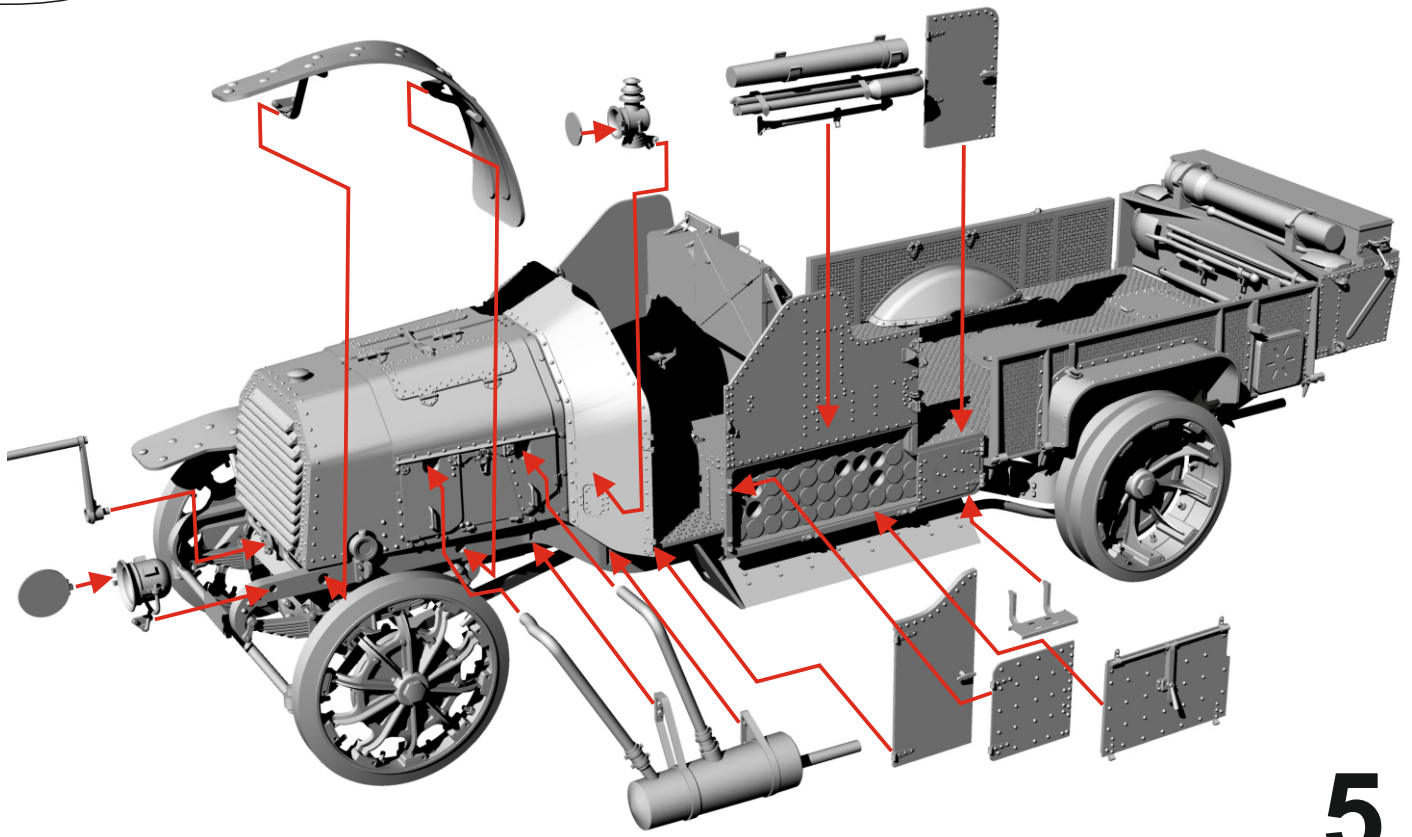
3



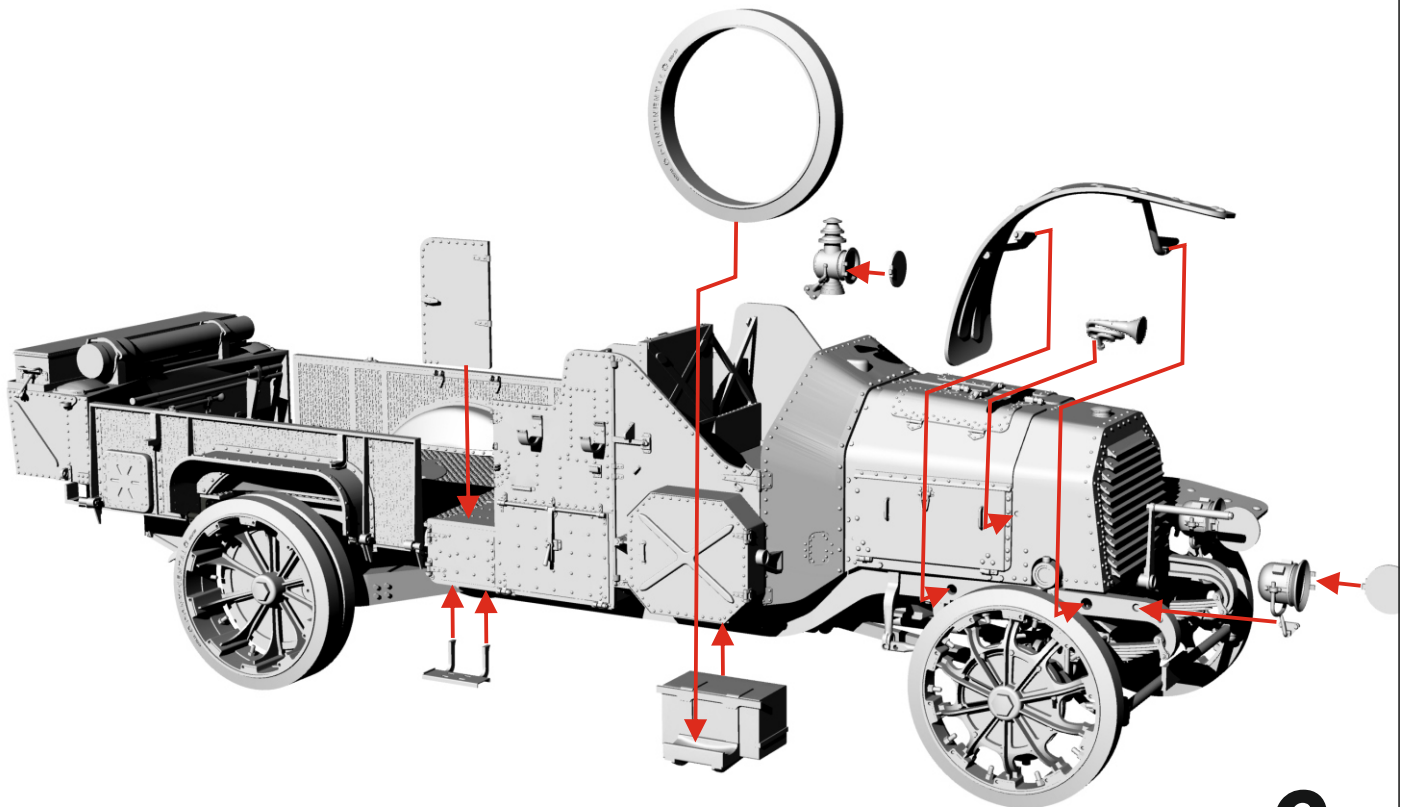
Do not glue. Or cut hinges and glue.

4





5

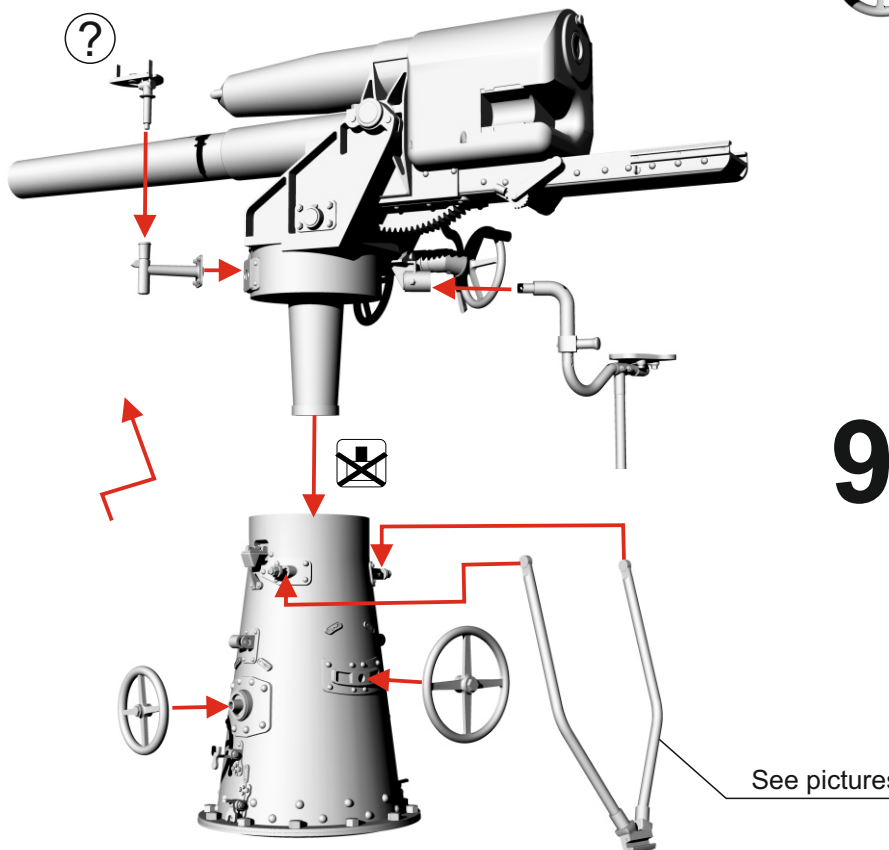
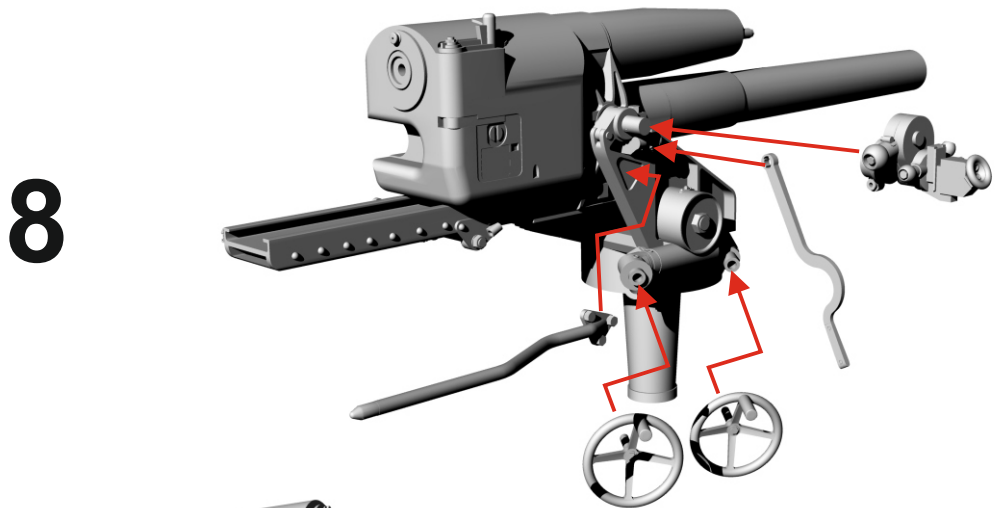
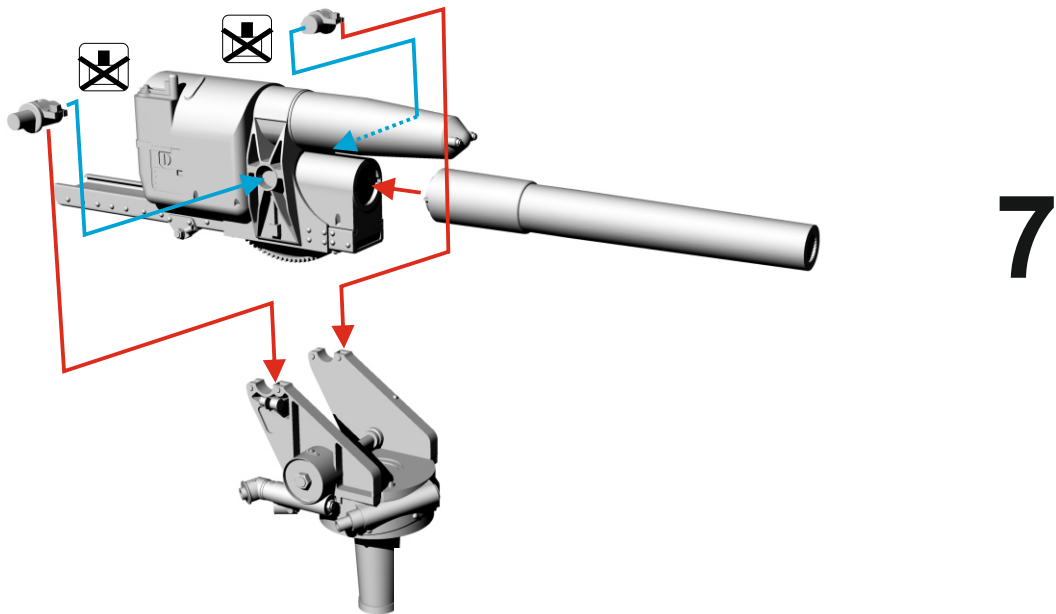


6



*German K.-Flak 7,7cm L/27
Krupp - Daimler*

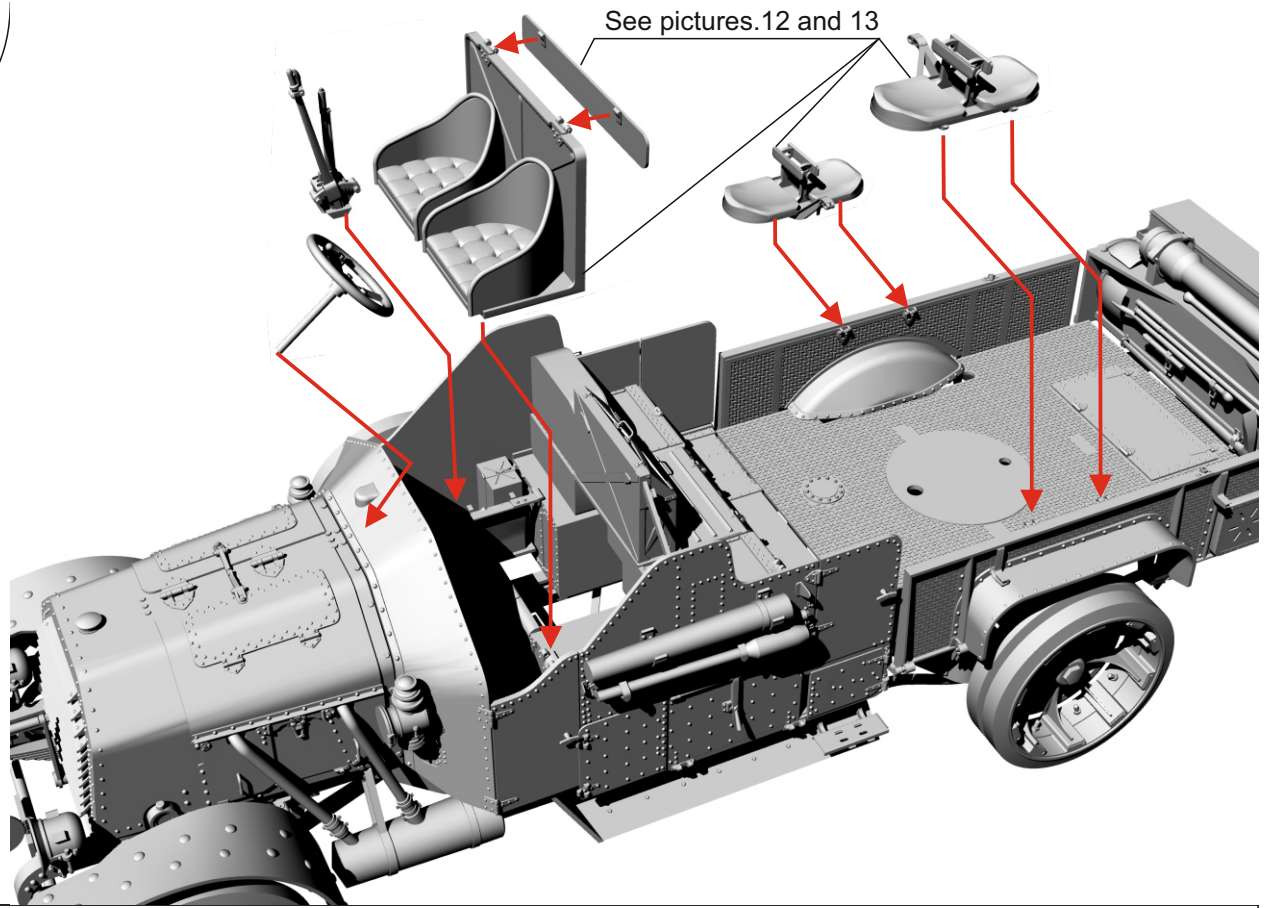
GM112 1/35



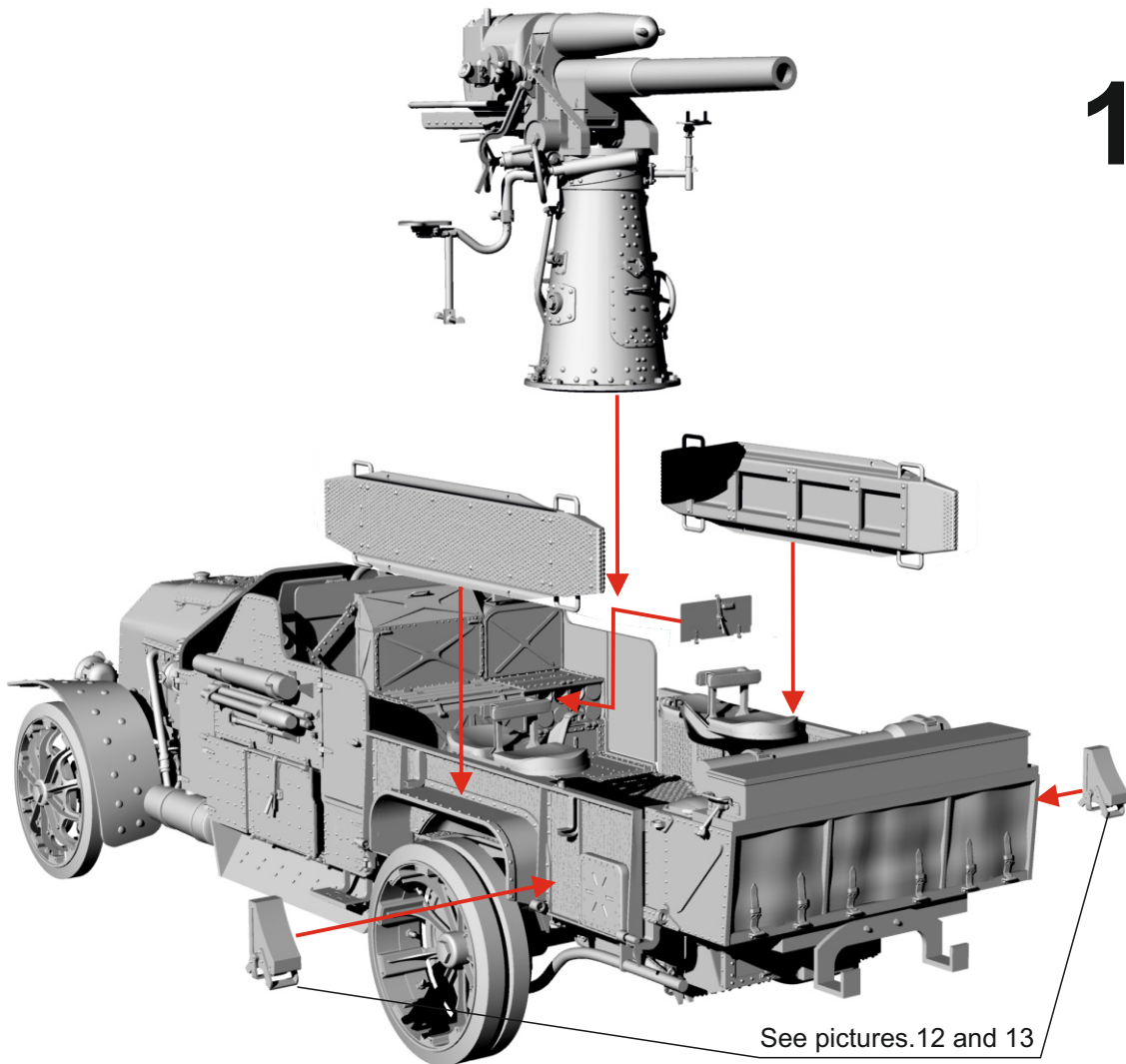
See pictures.12 and 13



10

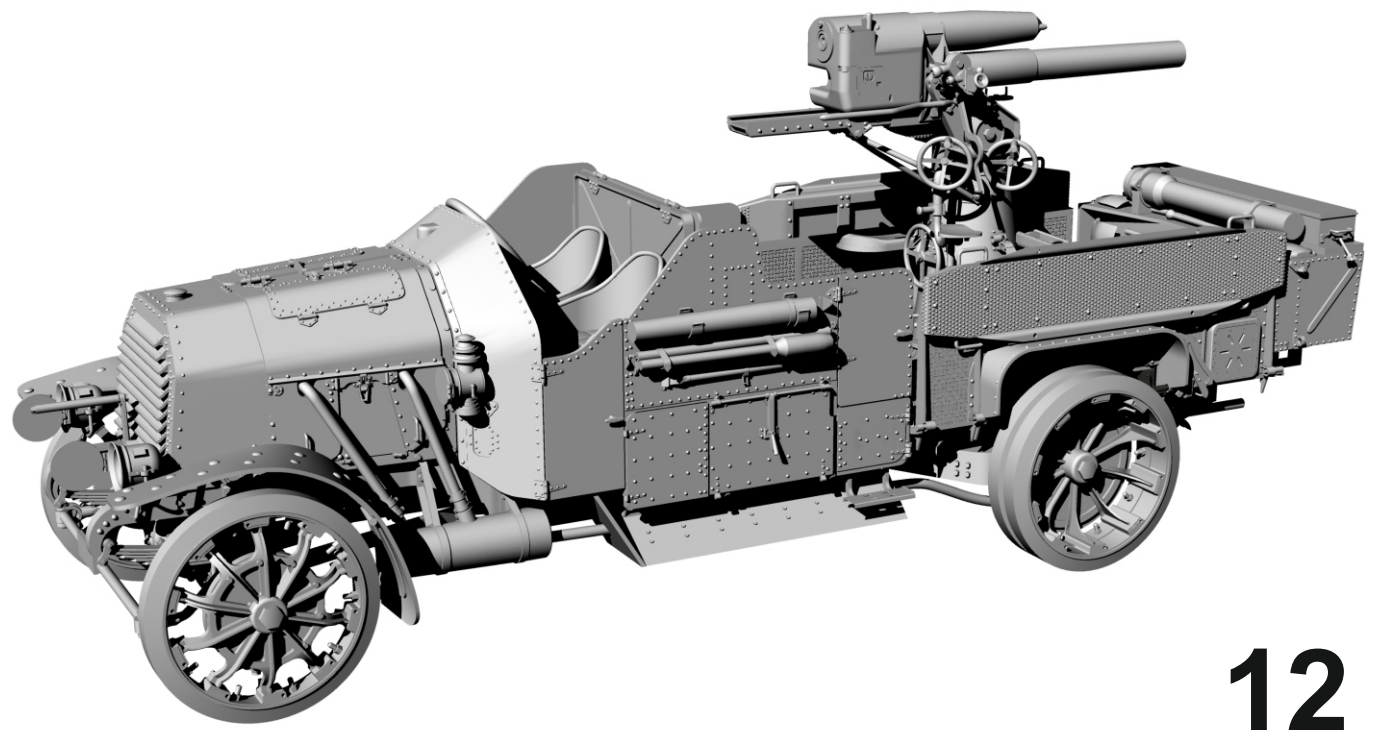


11



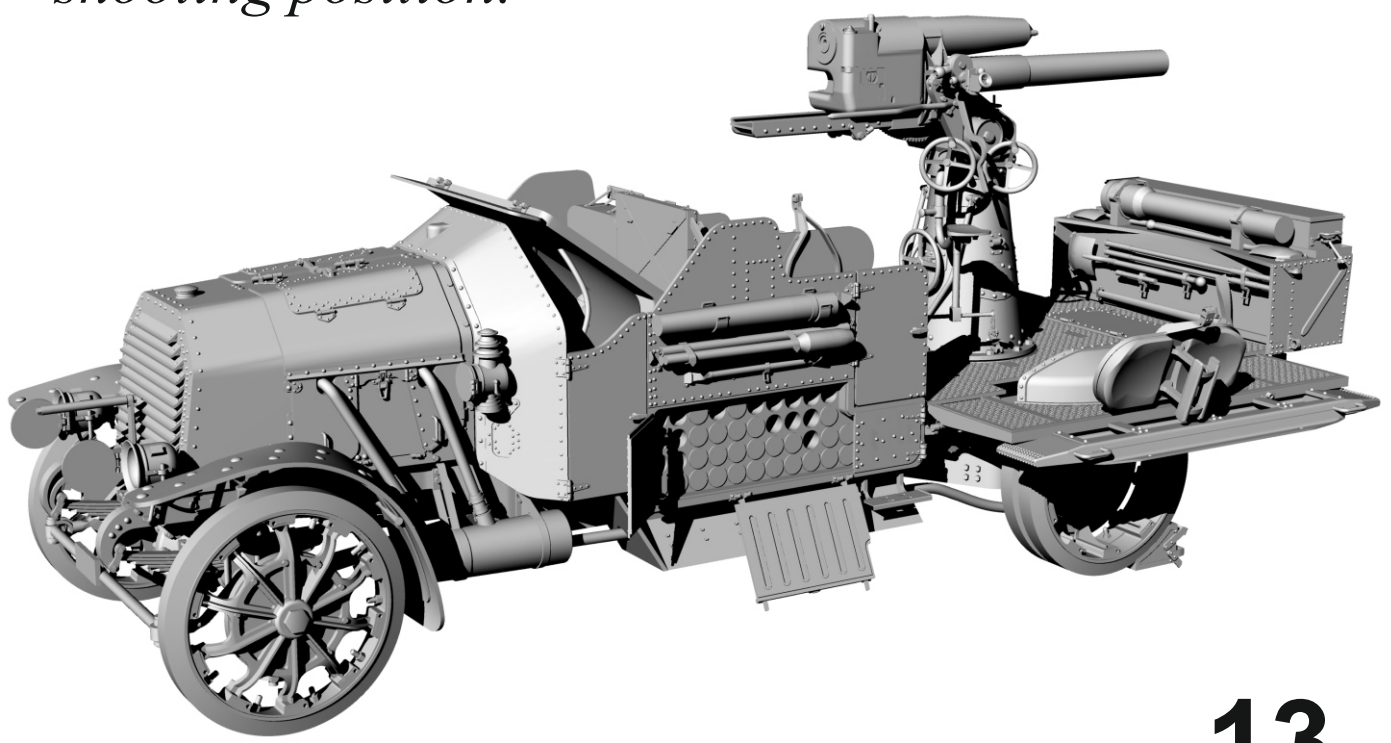


transport position

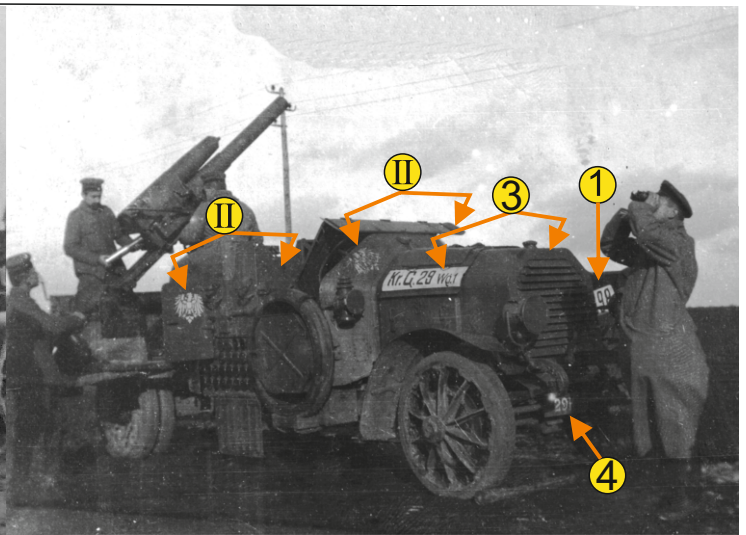
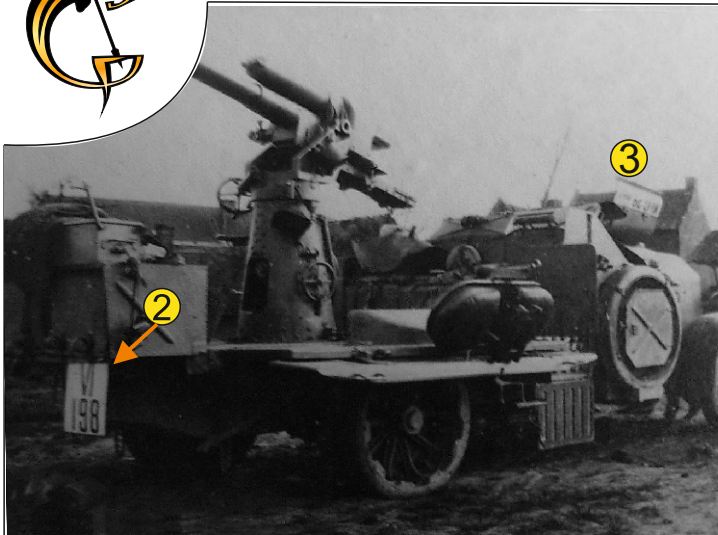


12

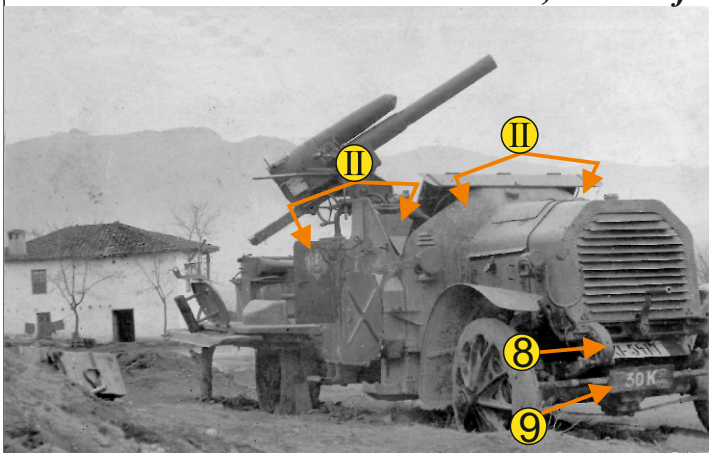
shooting position.



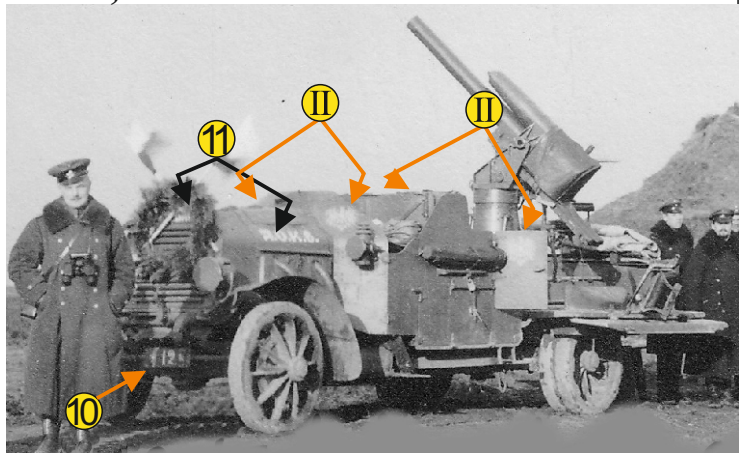
13



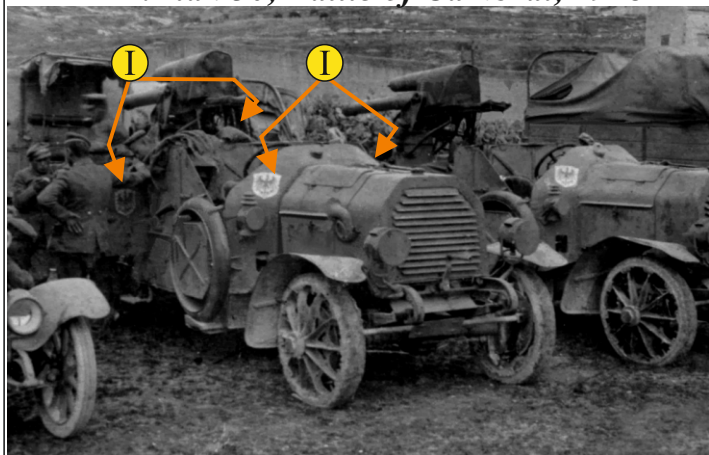
K.Flak 29, Battle of Cambrai, 1918



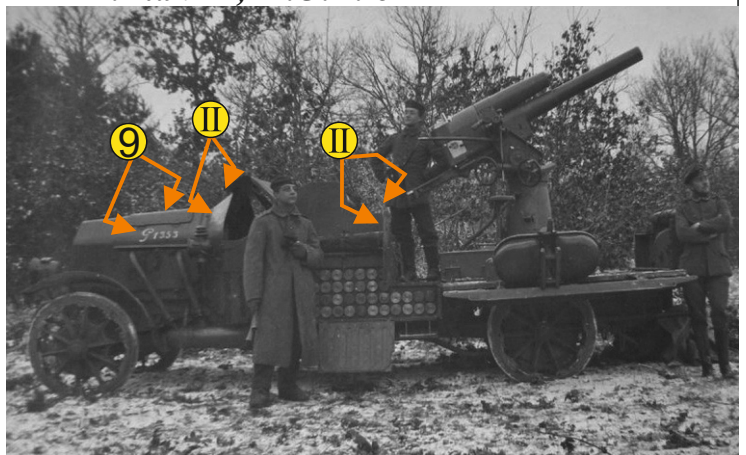
K.Flak 30, Battle of Cambrai, 1918



K.Flak 12, A.O.K. 6



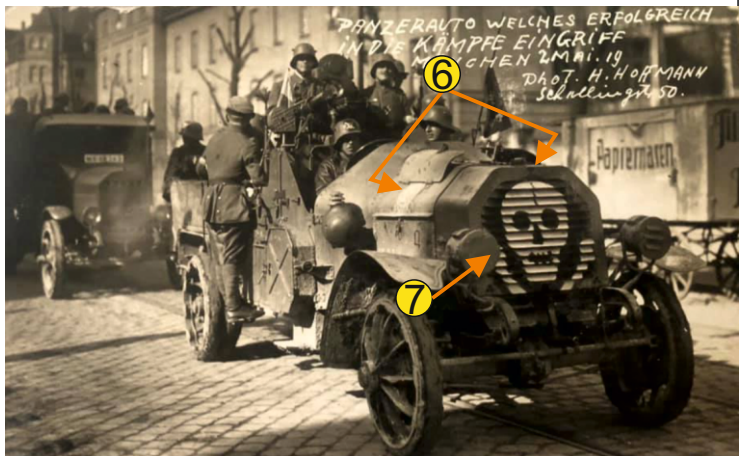
K.Flak Battery in Nazareth



Armeeabteilung of General Gaedes, Alsace, May 1915- September 1916



Munich, 1919



Berlin, 1919