

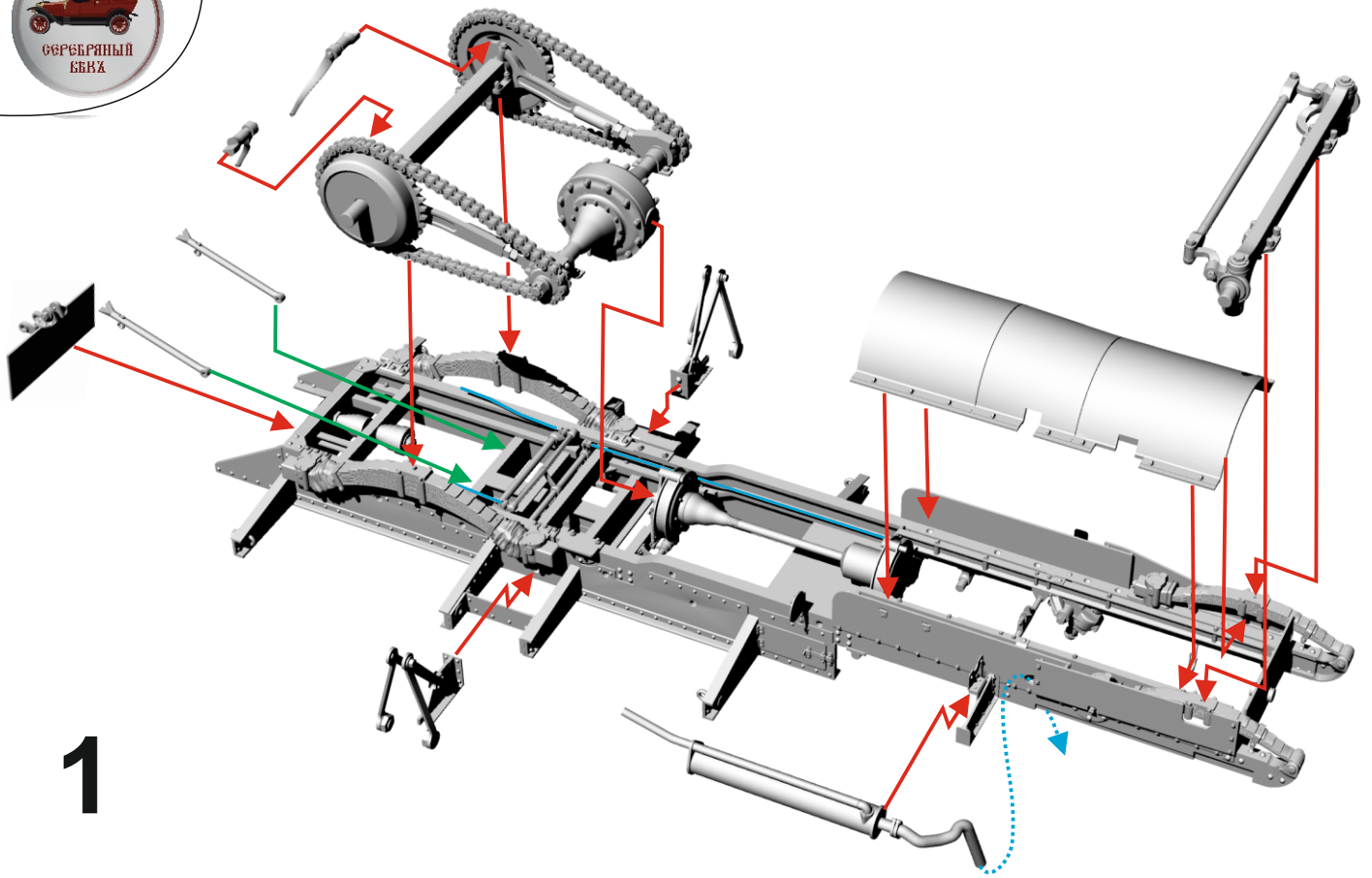


# Russian armored lorry Russo-Baltique T GM113 1/35 with AA guns 76.2mm. Mod.1914

Putiloff plant

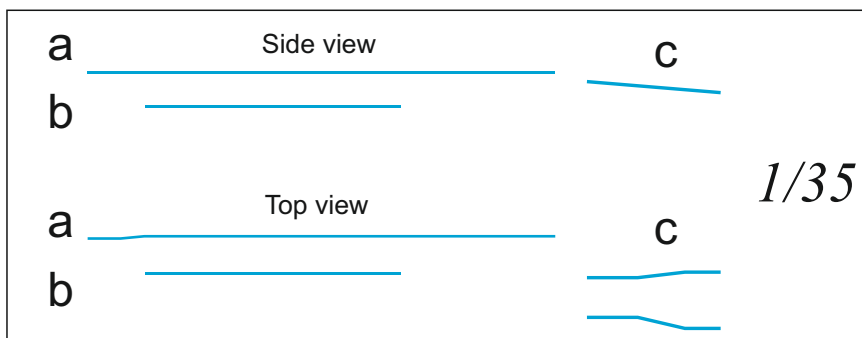
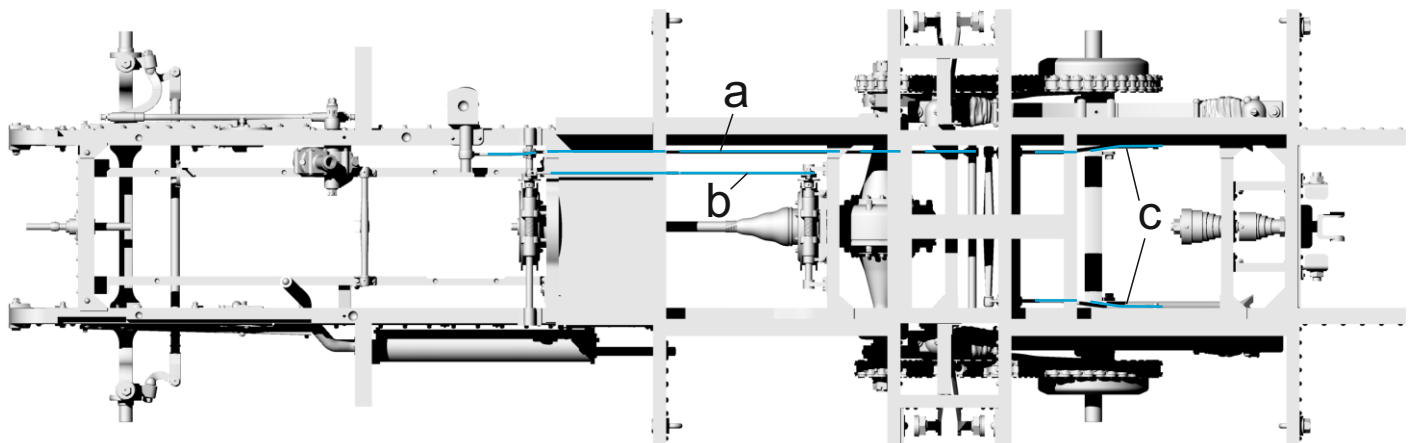


Attention! Some details in the instructions may differ in terms of equipment. These are kits of several individual parts or complex designs with combined parts.



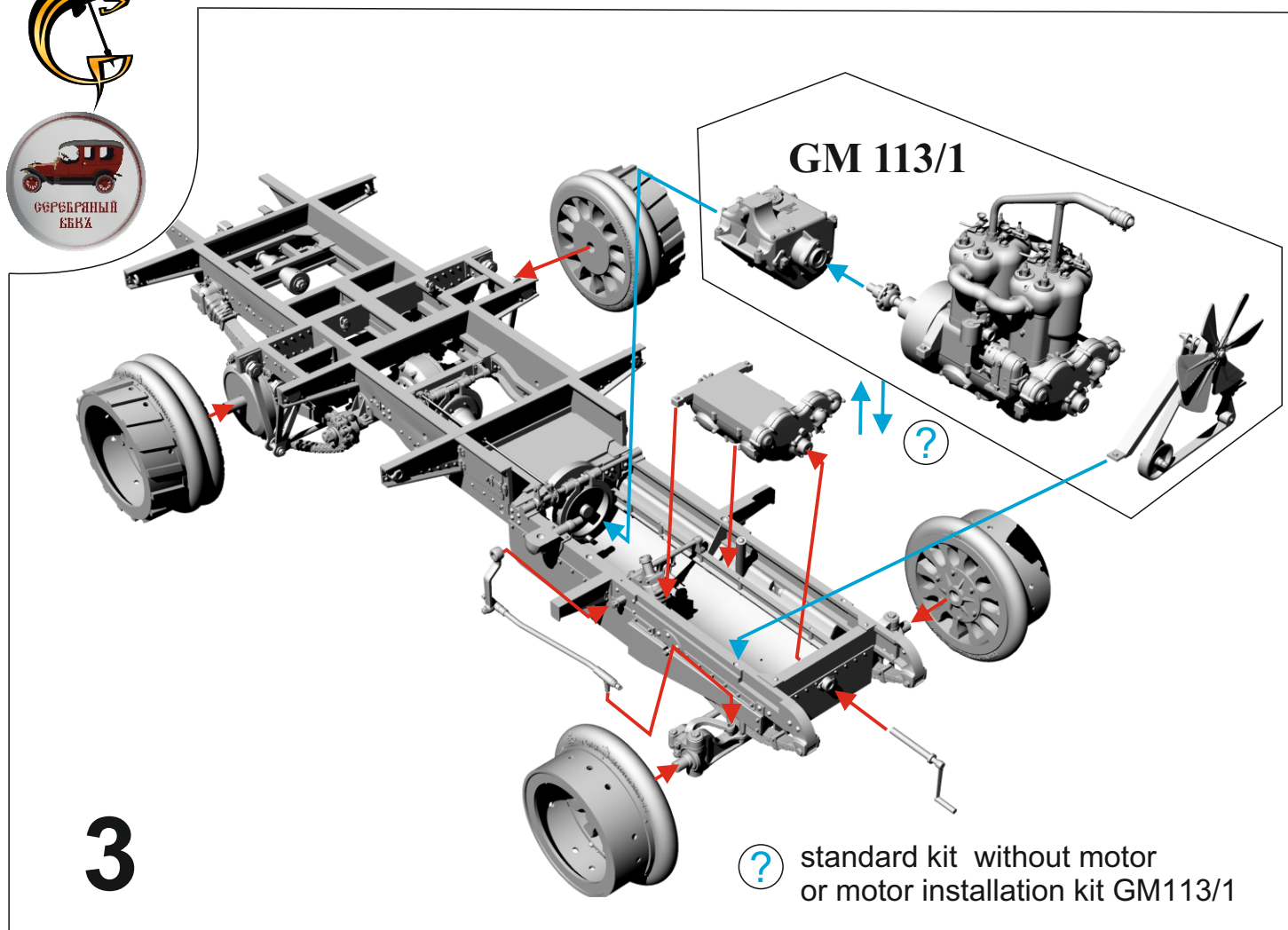
1

Brake rods. Make from wire

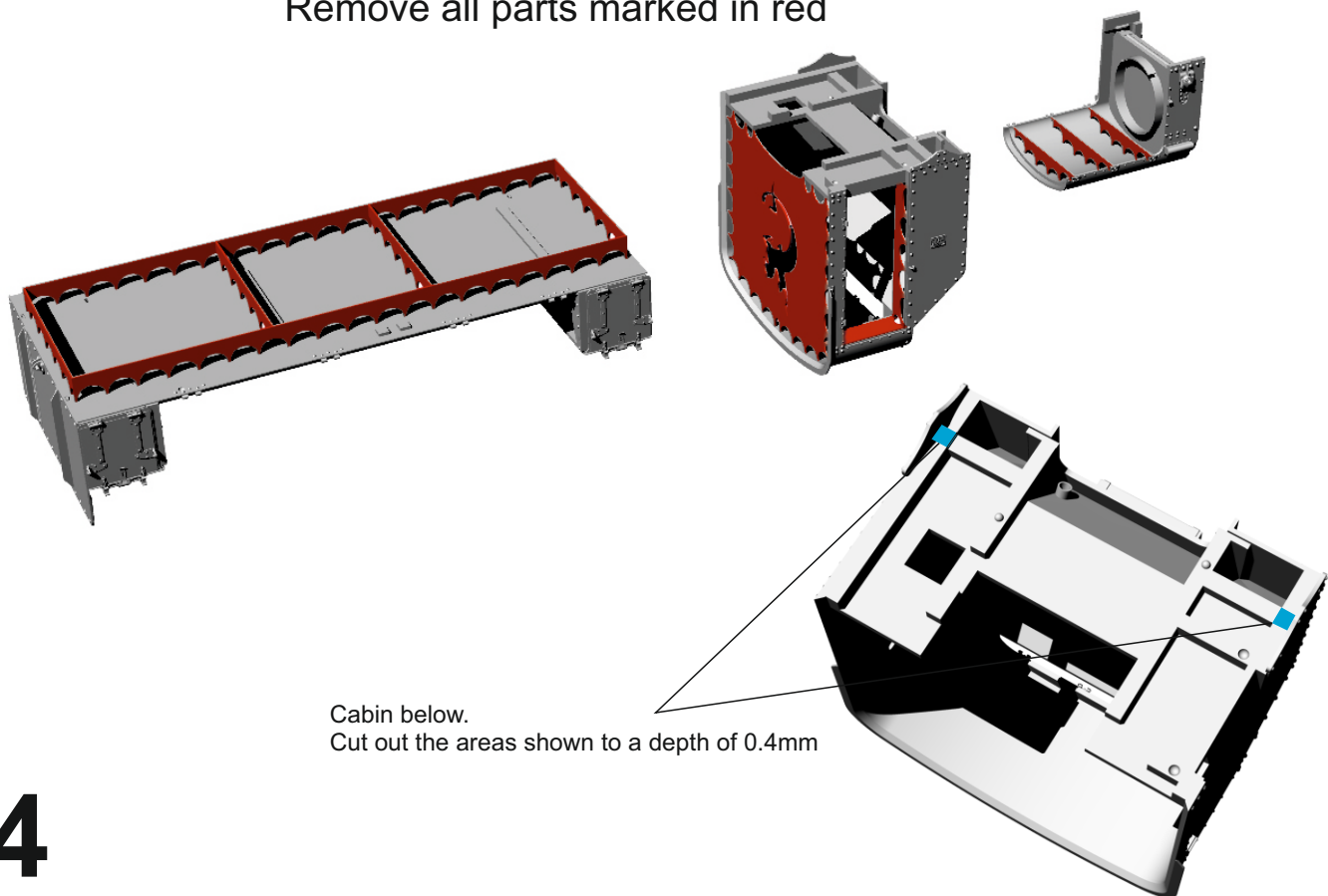


2

# Russian armored lorry Russo-Baltique T GM113 1/35 with AA guns 76.2mm. Mod.1914 Putiloff plant



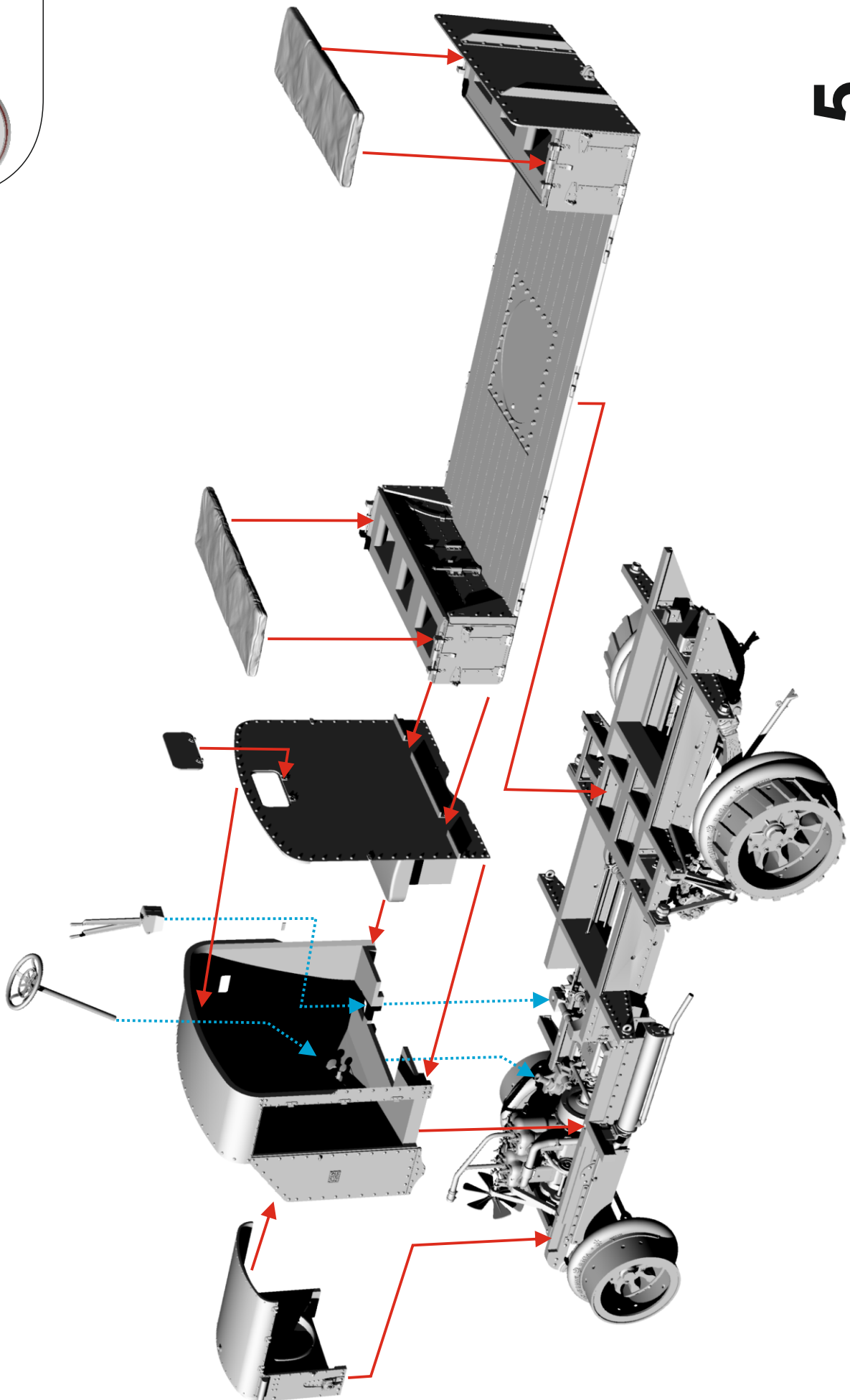
Remove all parts marked in red



*Russian armored lorry Russo-Baltique T GM113 1/35  
with AA guns 76.2mm. Mod.1914  
Putiloff plant*



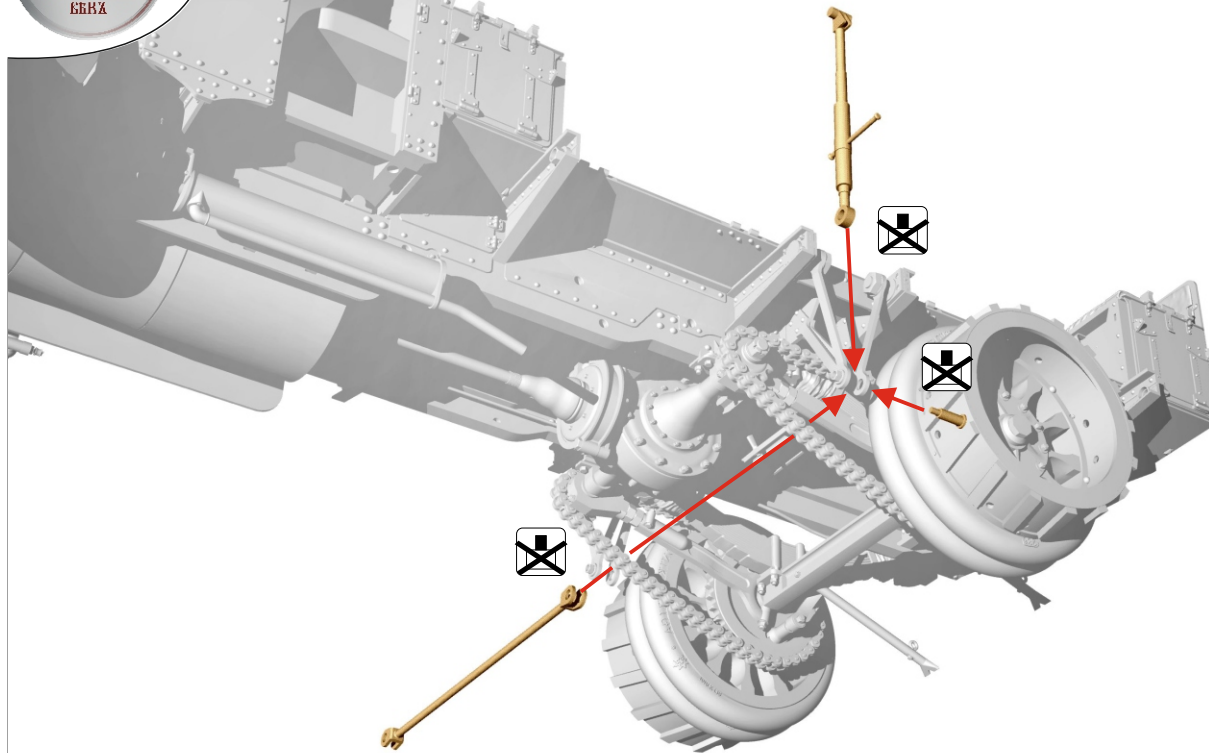
5



*Russian armored lorry Russo-Baltique T GM113 1/35  
with AA guns 76.2mm. Mod.1914  
Putiloff plant*

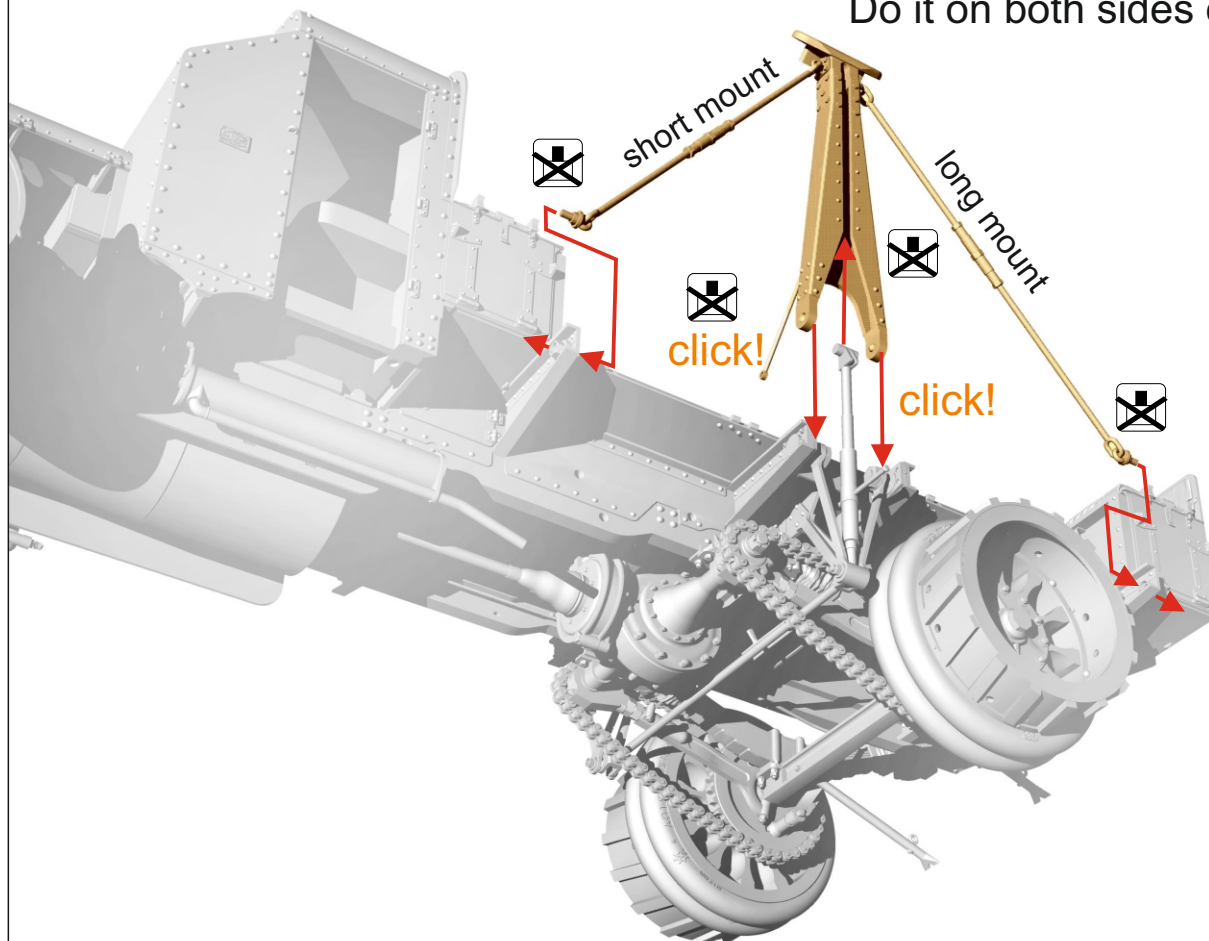


Do it on both sides of the truck.



**6**

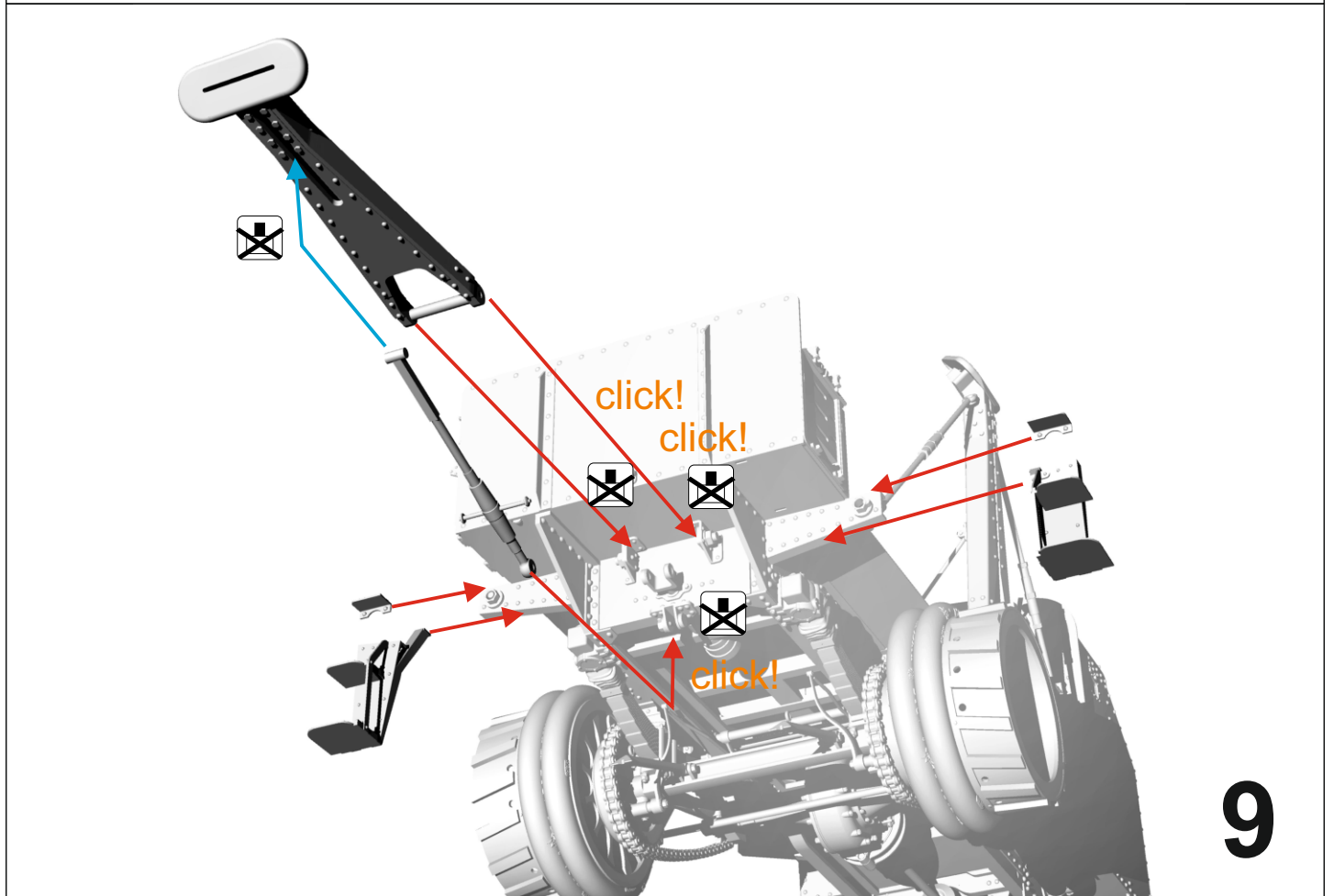
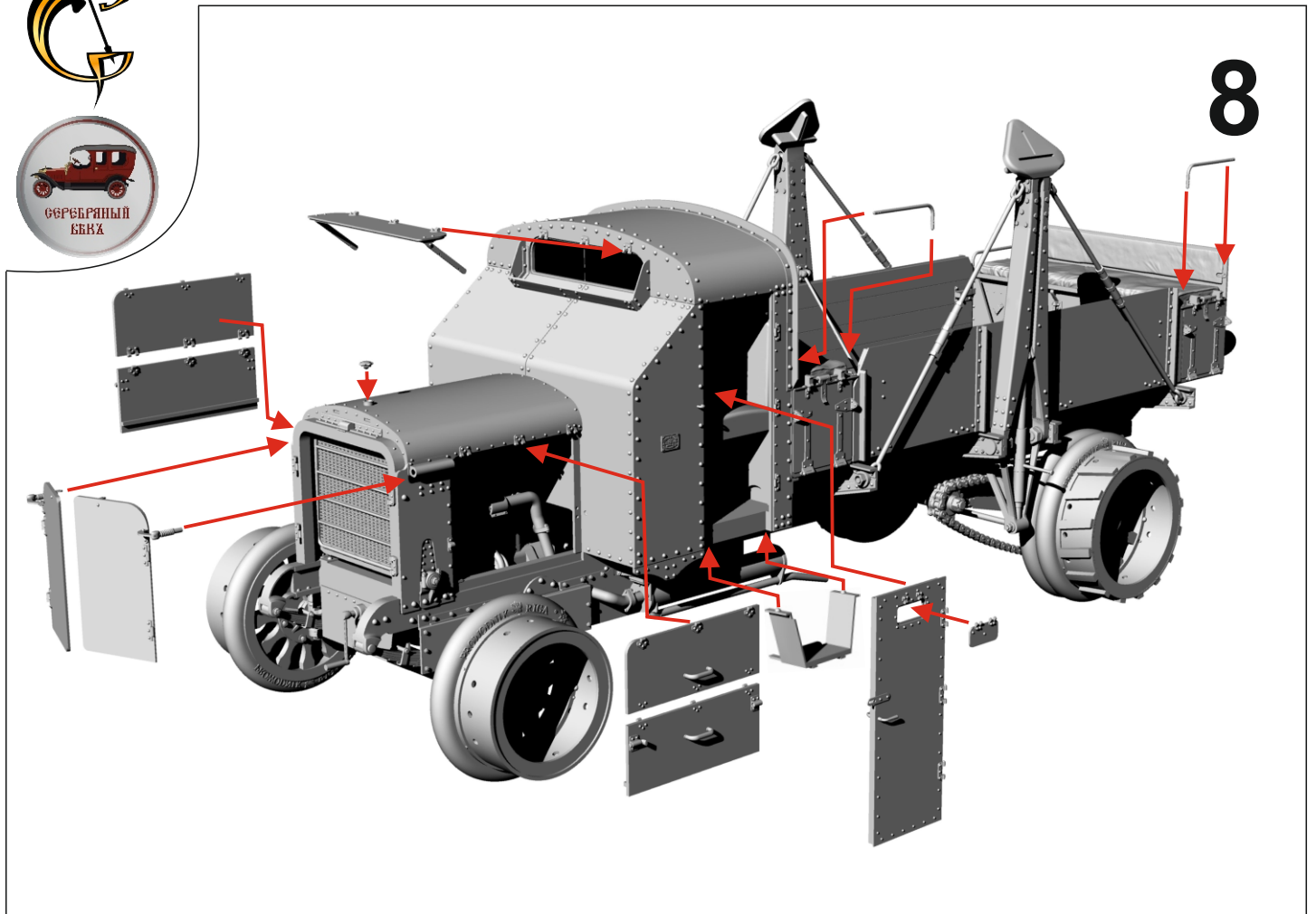
Do it on both sides of the truck.



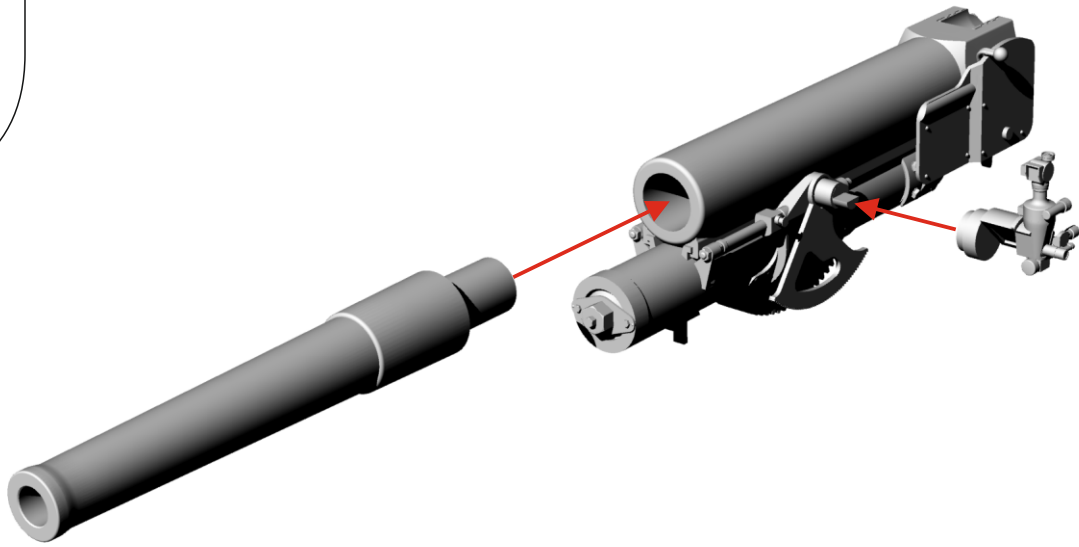
**7**



*Russian armored lorry Russo-Baltique T GM113 1/35  
with AA guns 76.2mm. Mod.1914* *Putiloff plant*

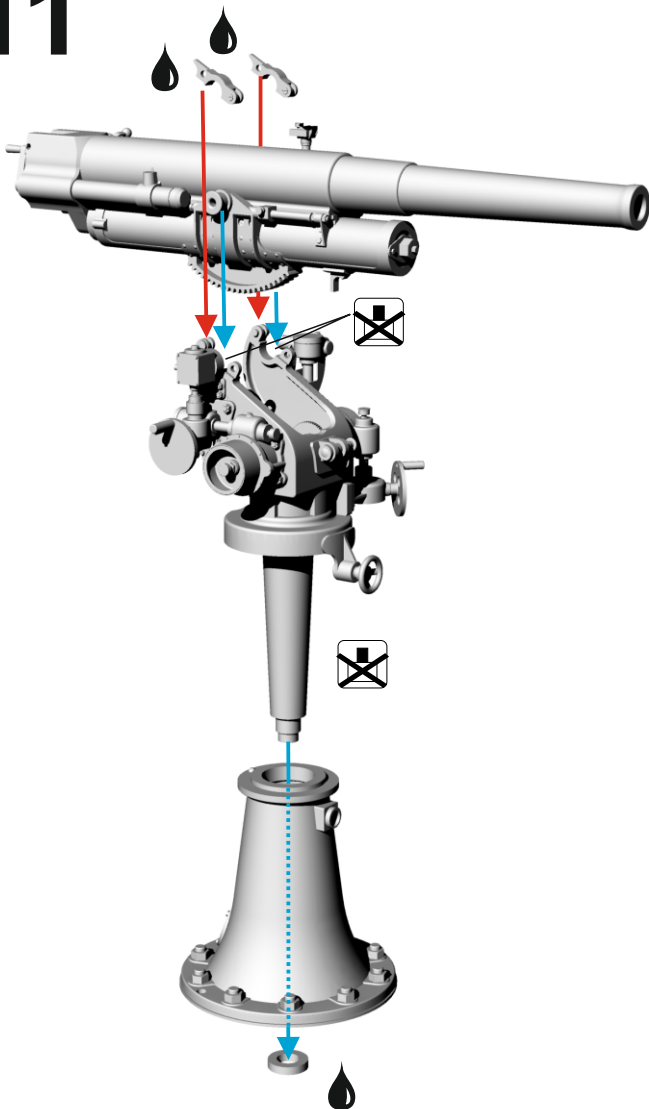


*Russian armored lorry Russo-Baltique T GM113 1/35  
with AA guns 76.2mm. Mod.1914  
Putiloff plant*

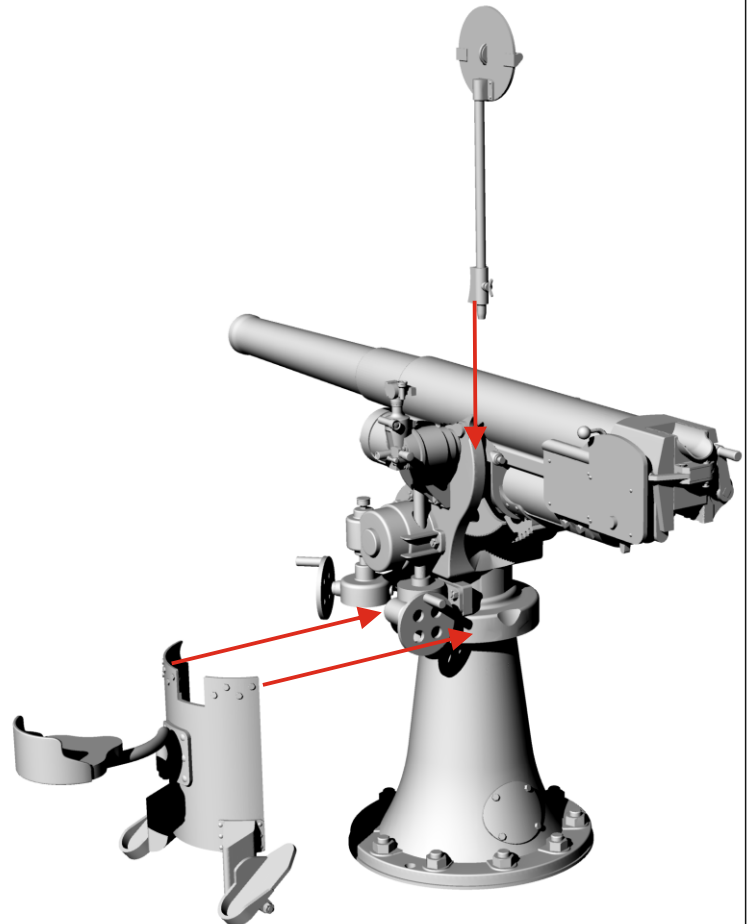


**10**

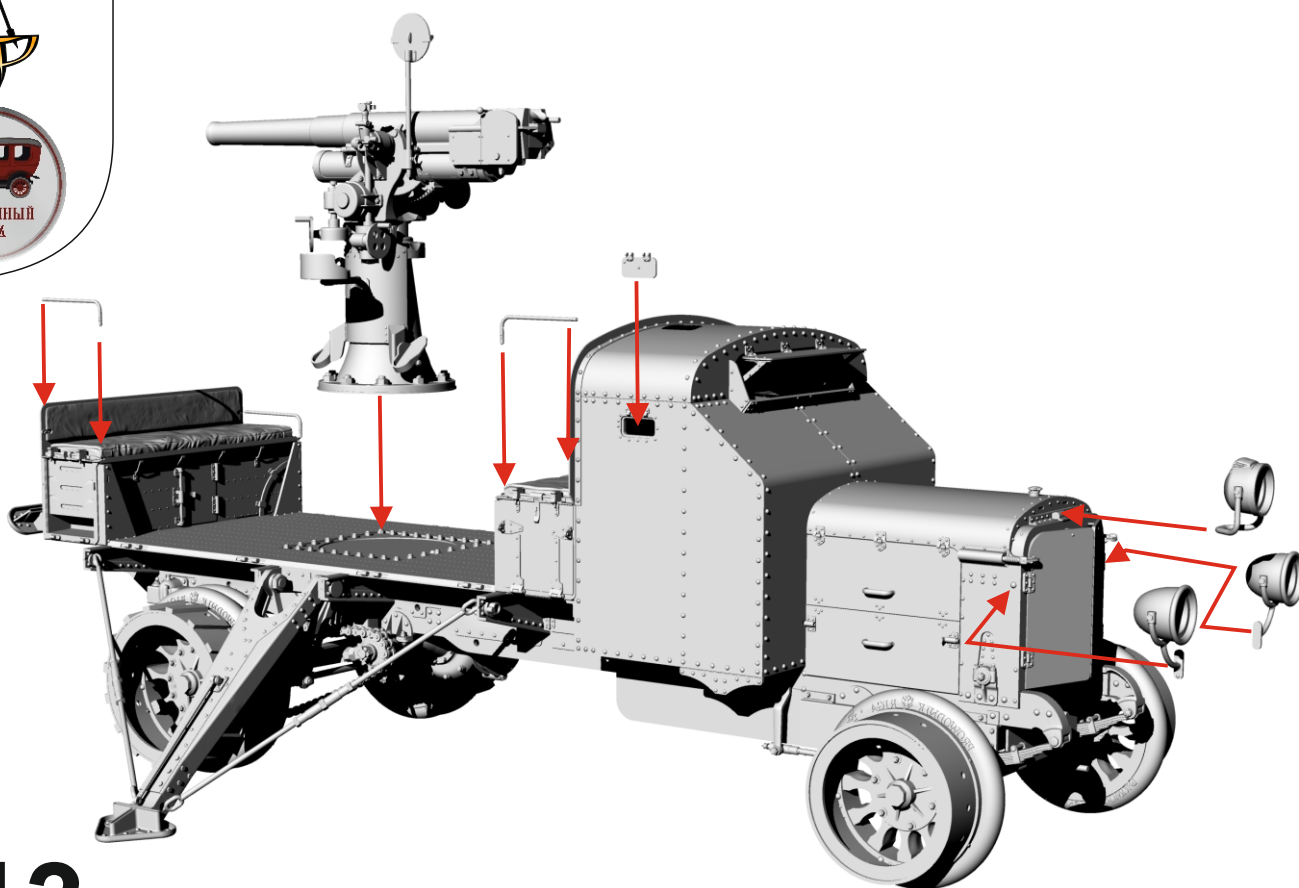
**11**



**12**



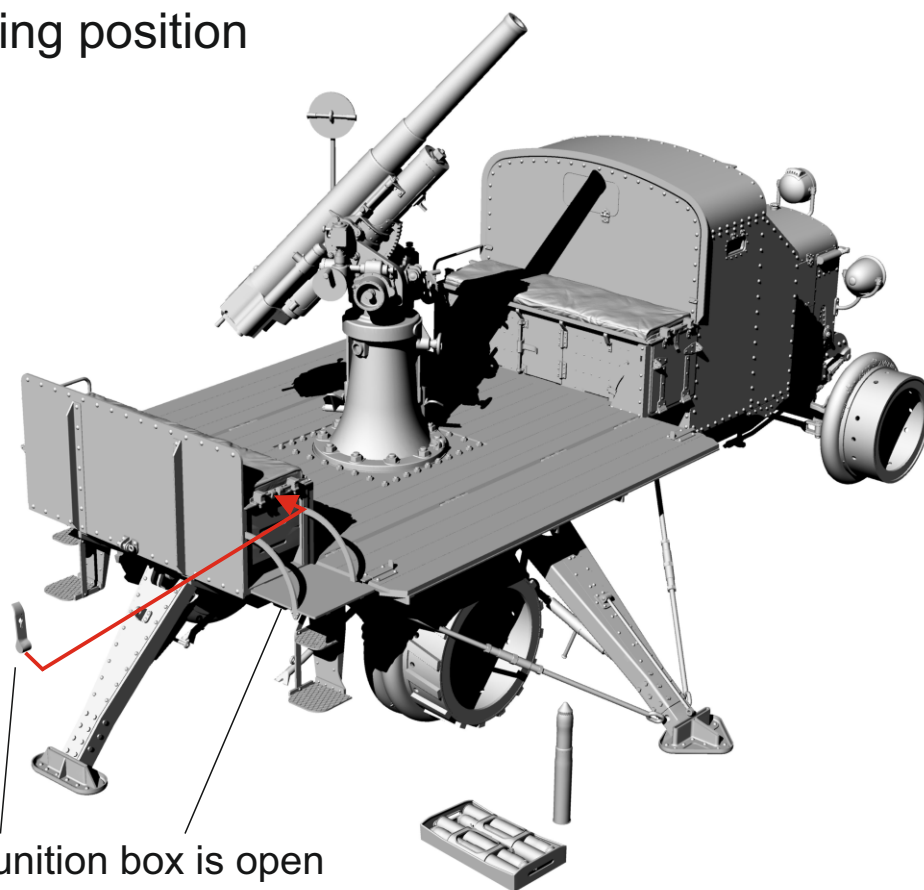
*Russian armored lorry Russo-Baltique T GM113 1/35  
with AA guns 76.2mm. Mod.1914  
Putiloff plant*



**13**

shooting position

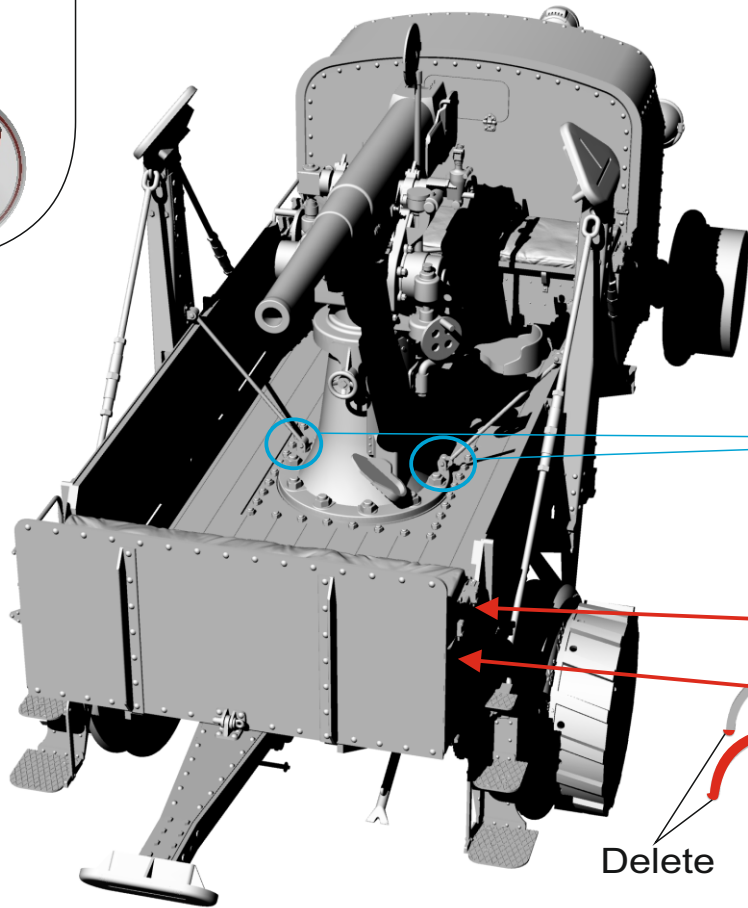
**14**



Ammunition box is open



# Russian armored lorry Russo-Baltique T GM113 1/35 with AA guns 76.2mm. Mod.1914 Putiloff plant

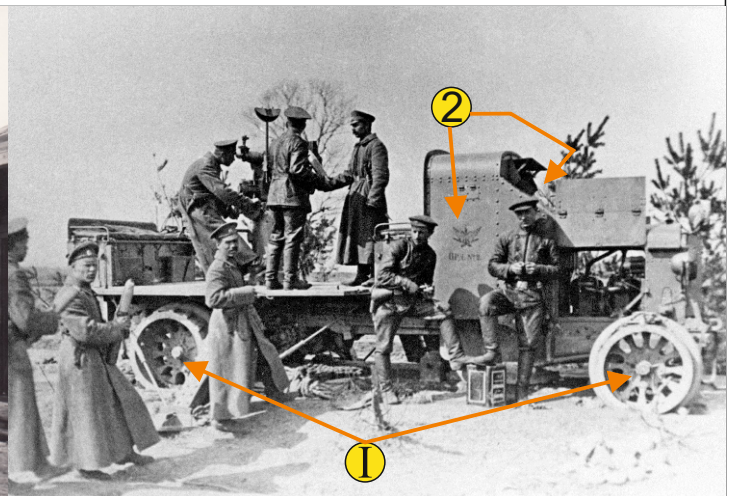
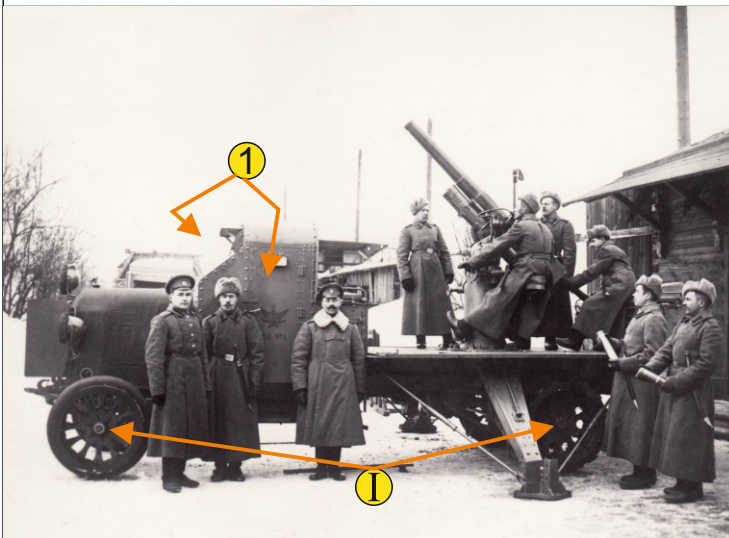


Transport position.  
Board closed

Locking for transport position

Ammunition box is closed

Delete



## '1st Armored Battery for firing at the Air Fleet'

Russian driver

Russian officer



1/35

1/35

St. George model

GMF 108

St. George model

GMF 103

artmaquette@mail.ru (Office in France)



①

ОРД. №1.

②

ОРД. №2.

③

ОРД. №3.

④

ОРД. №4.



①

