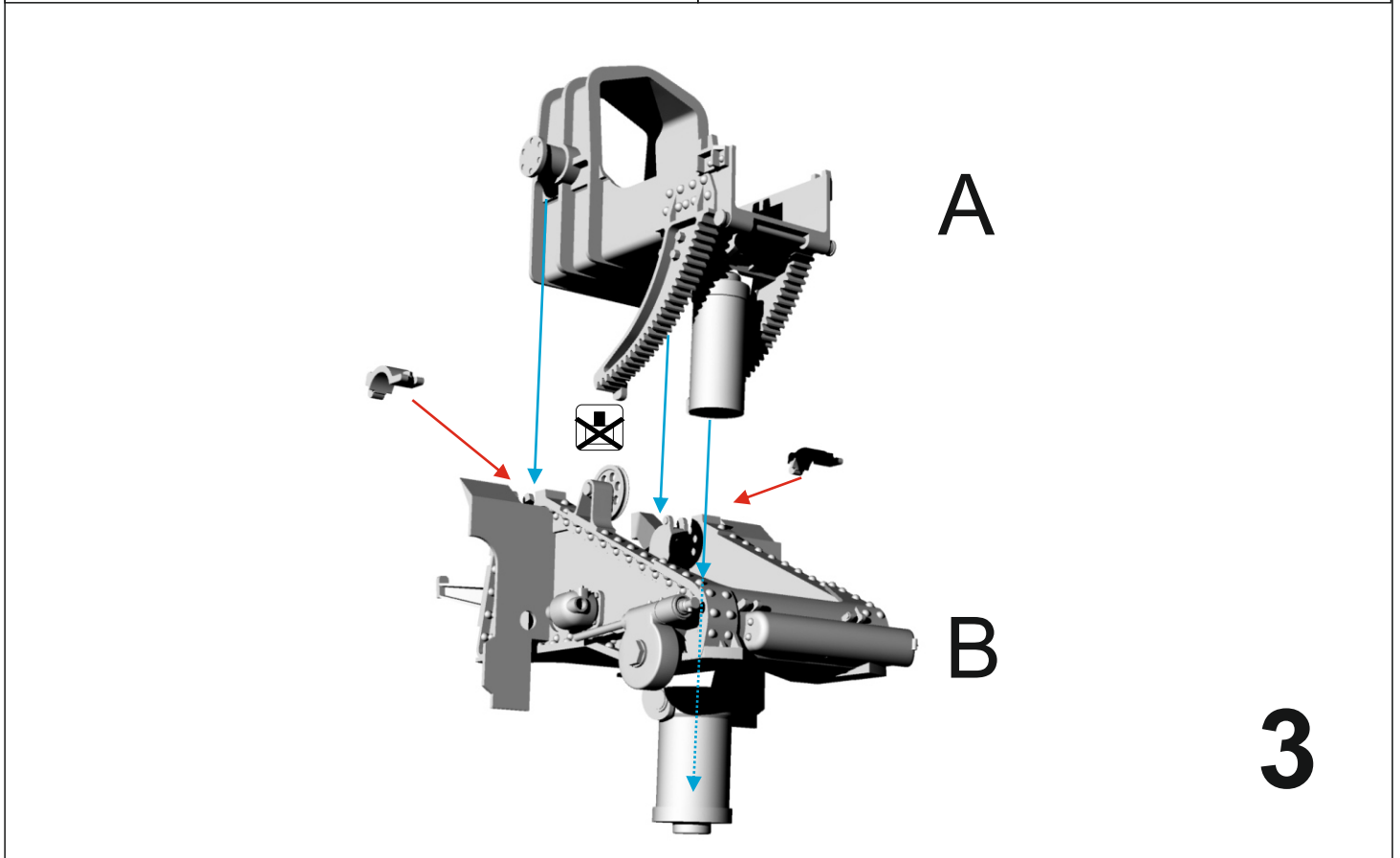
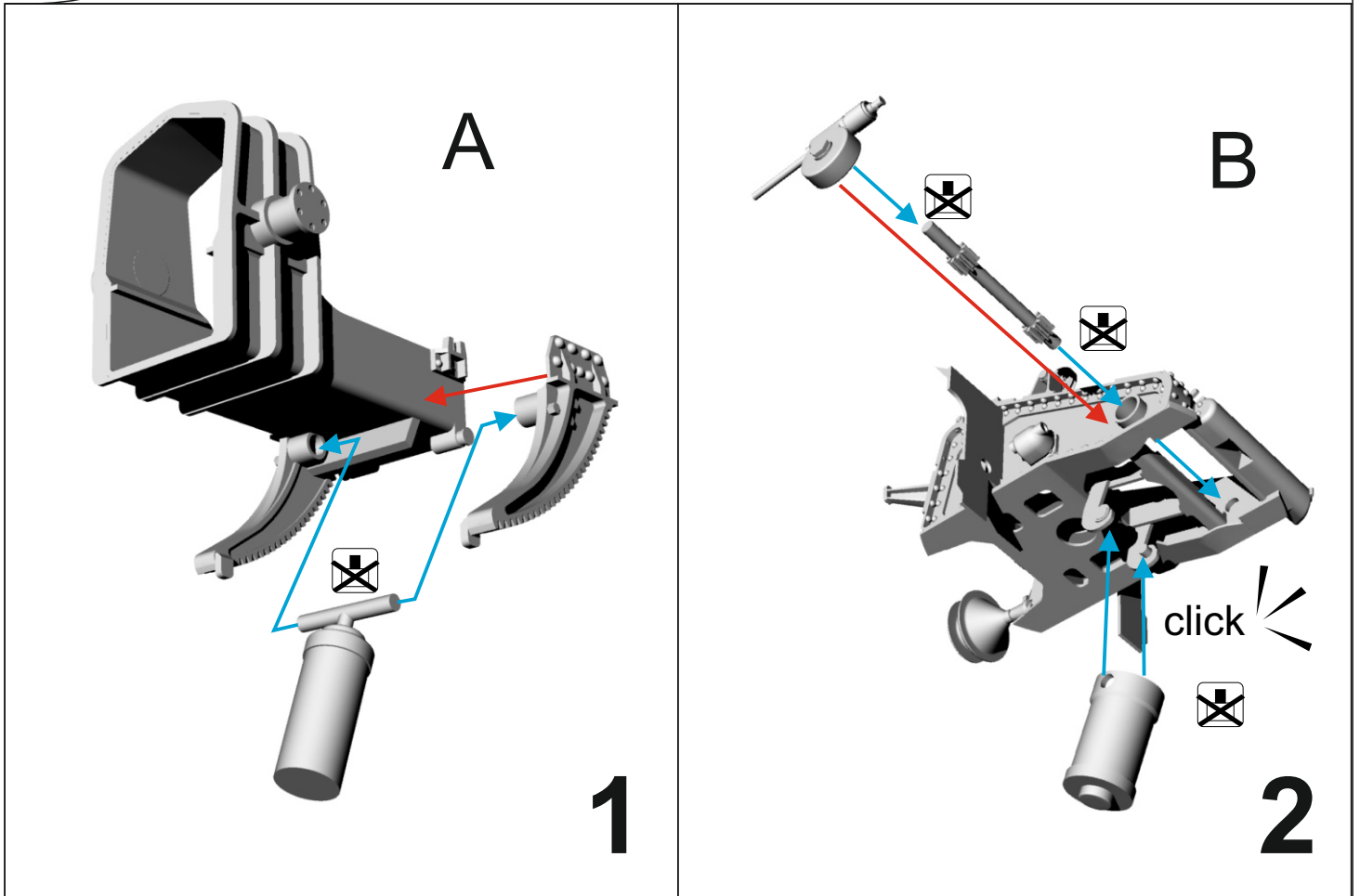
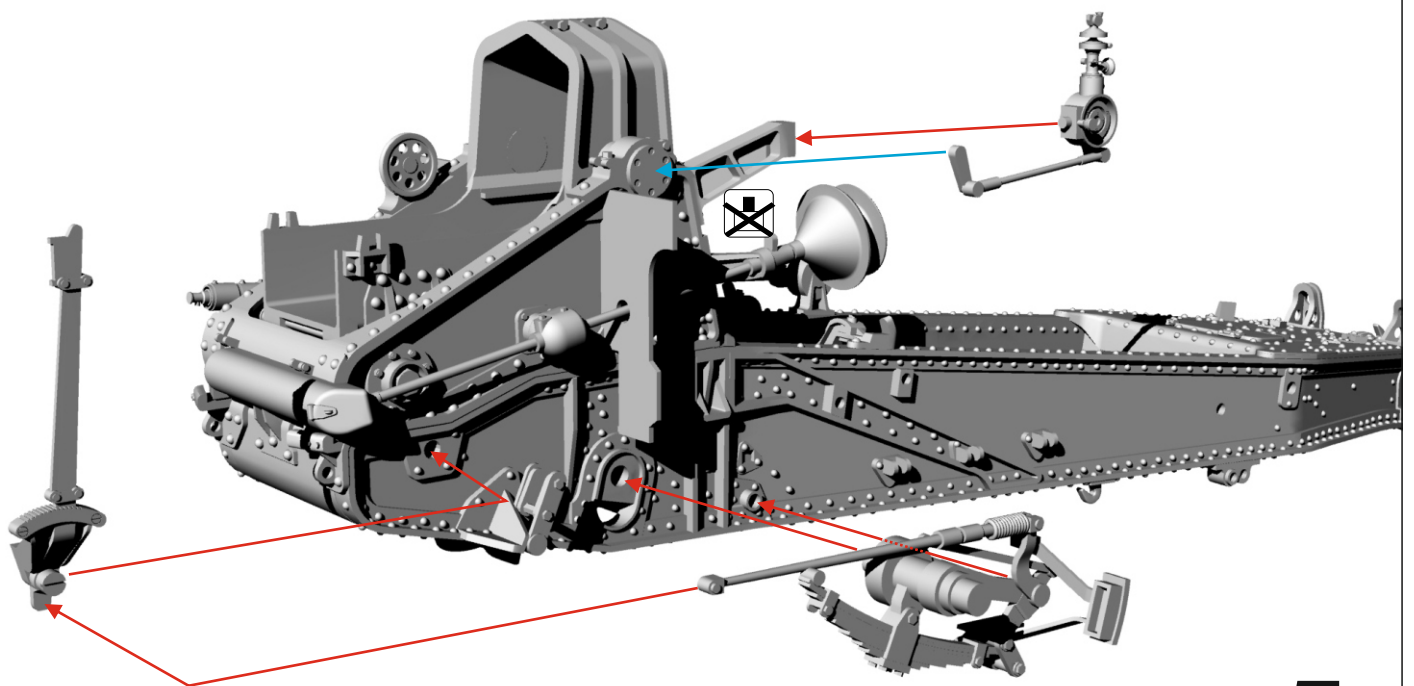
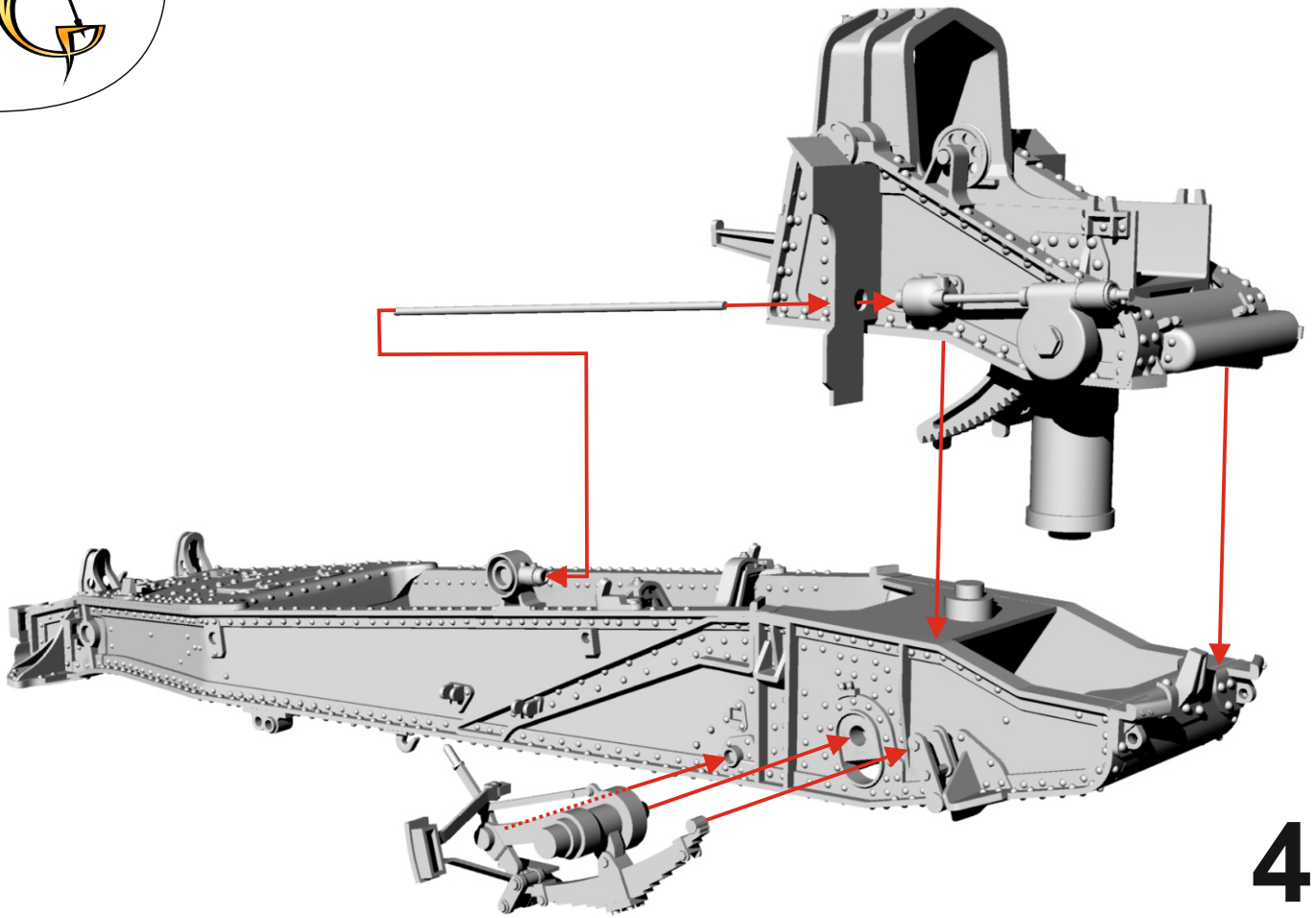
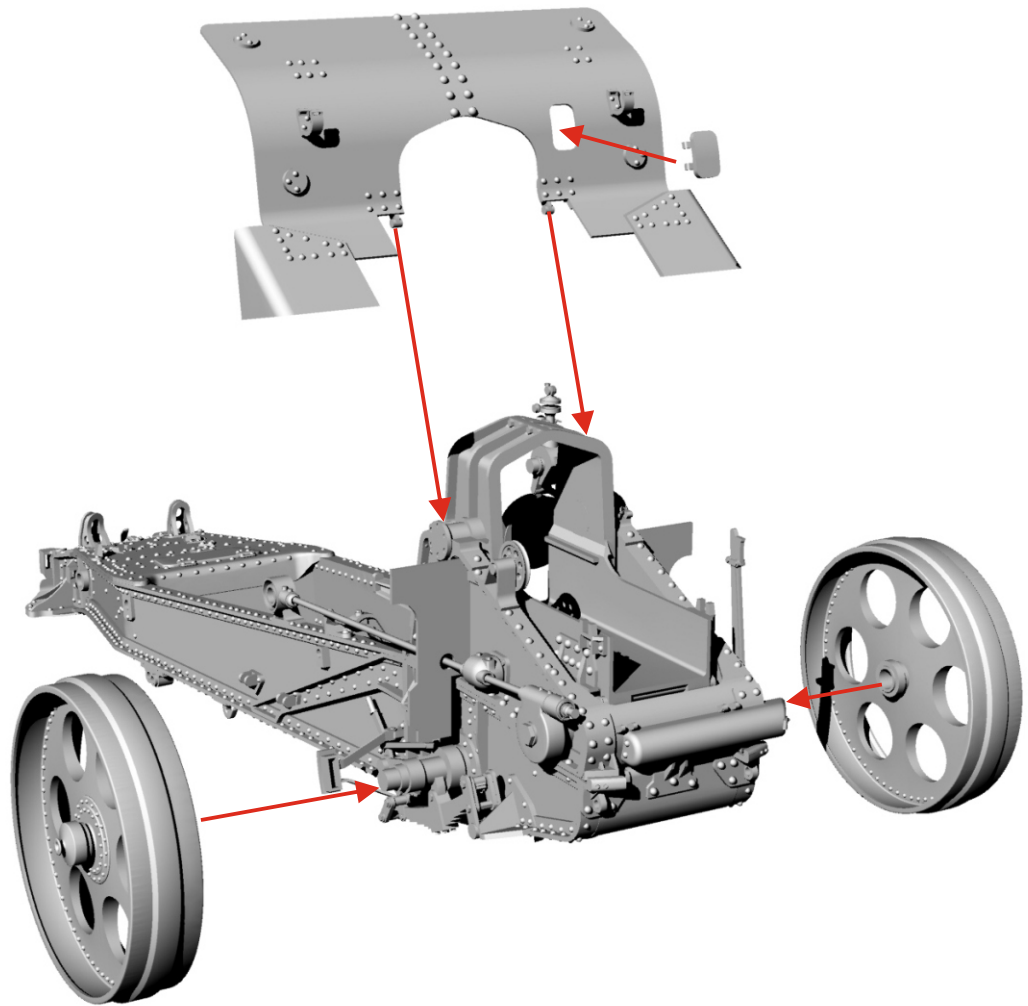




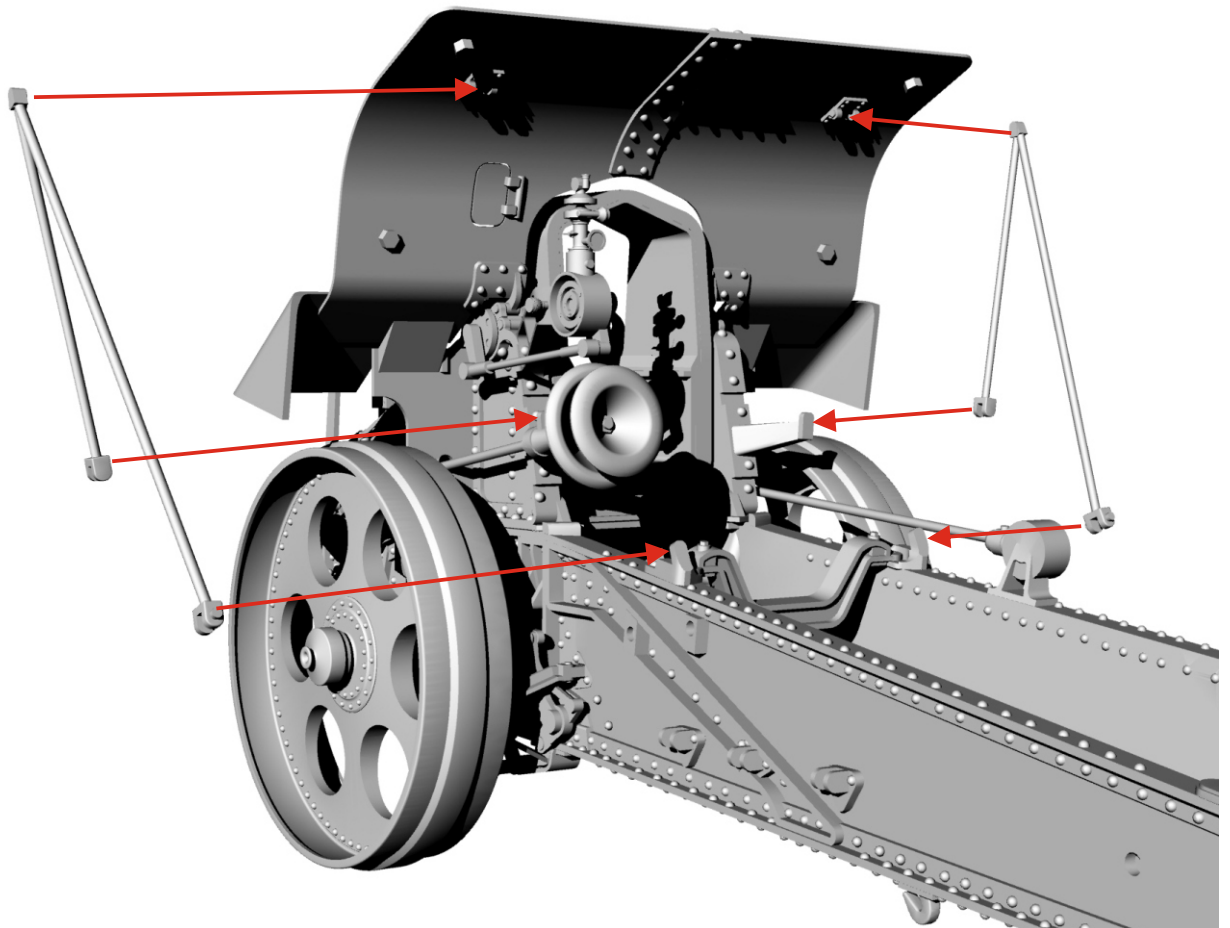
Attention! Some details in the instructions may differ in terms of equipment. These are kits of several individual parts or complex designs with combined parts.



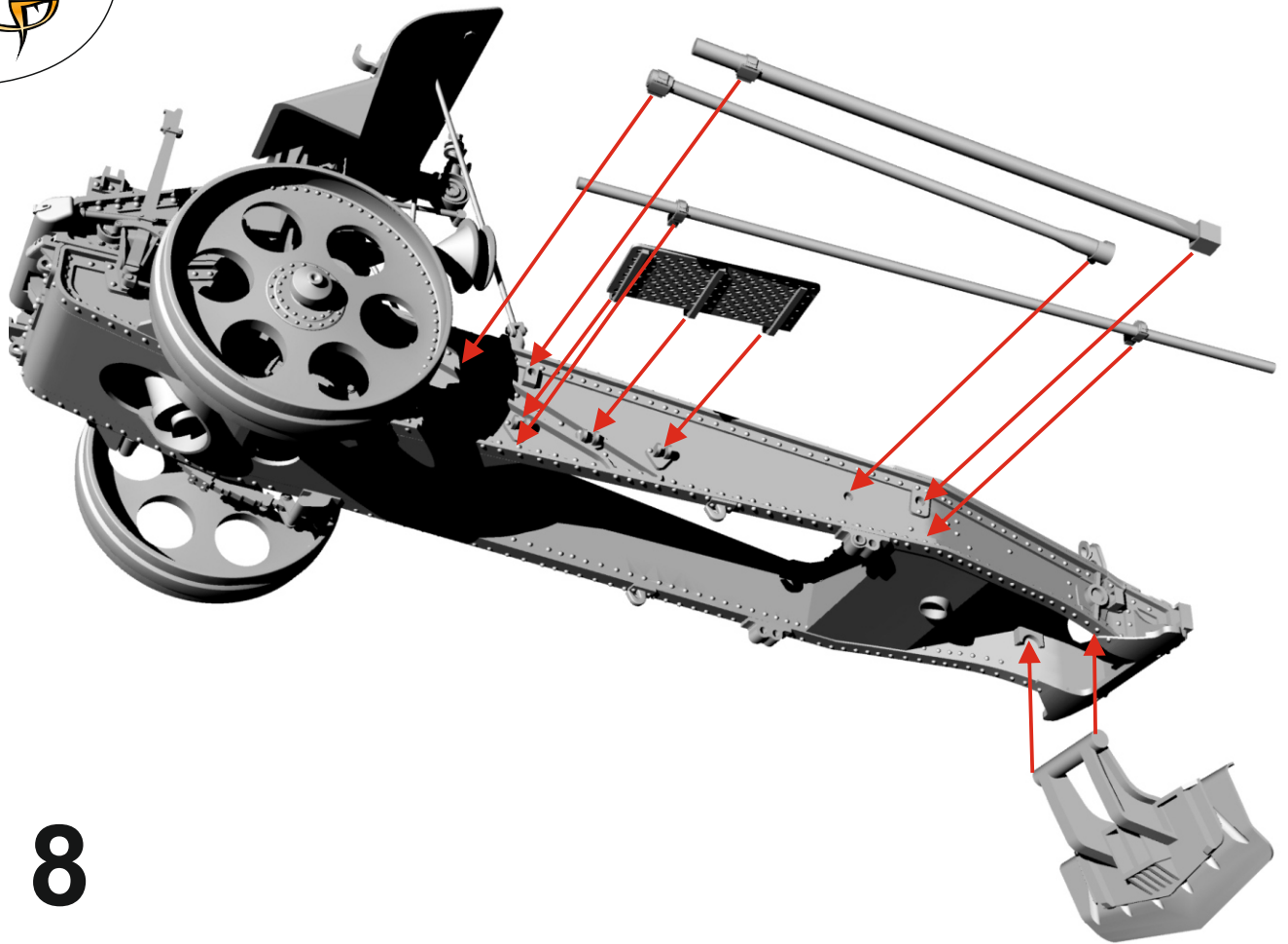




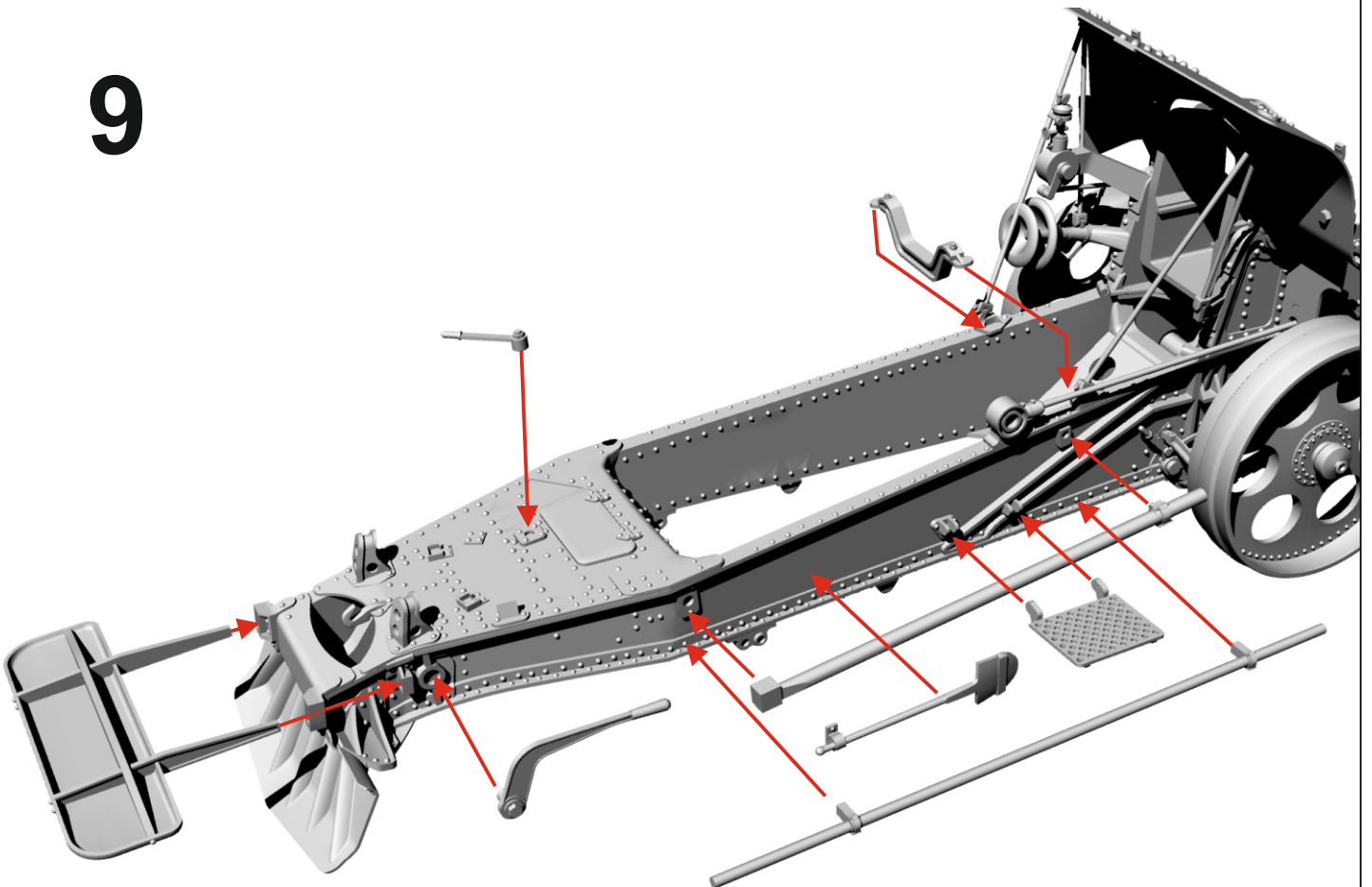
6



7



8

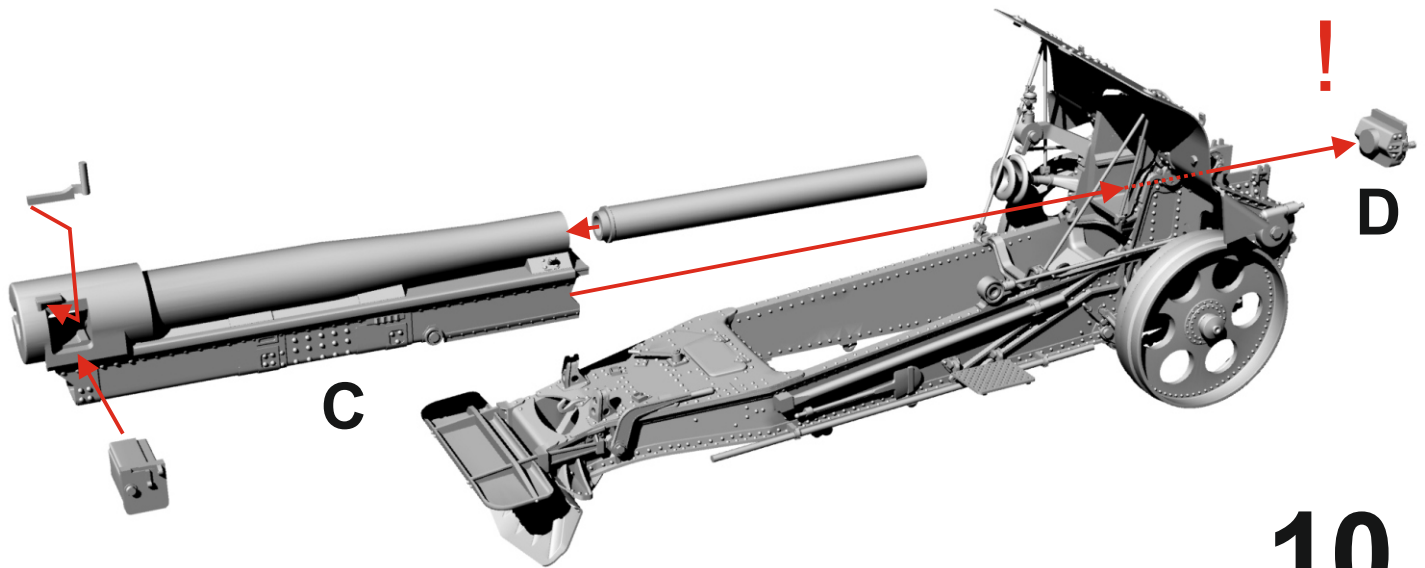


9



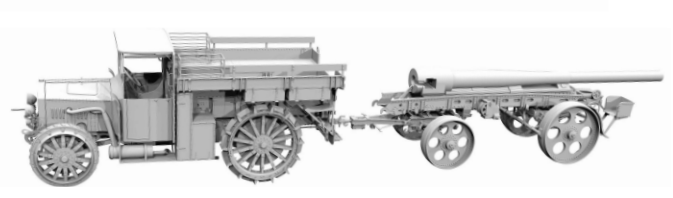
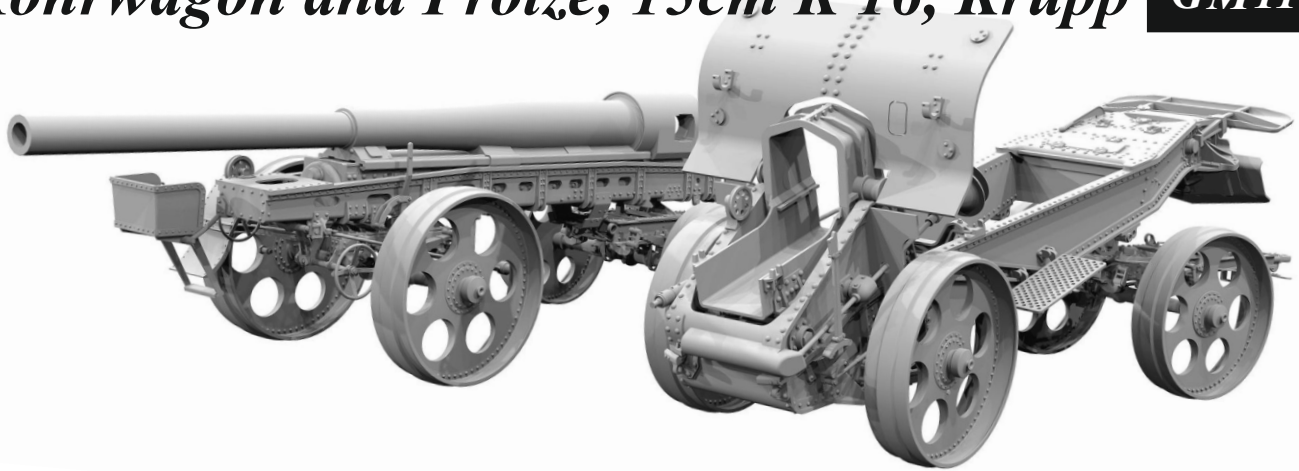


**!** Glue parts **C** and **D** on opposite sides of the shield.  
 It is impossible to remove the barrel with the hand operator after gluing.  
 This is important if you install the barrel on the Rohrwagen **GM117/1** kit.



# 10

## Rohrwagen and Protze, 15cm K 16, Krupp **GM117/1**



**1/35**  
 St. George model  
**1914-1918**

**German artillery tractor KD.1**  
 Krupp-Daimler



Prototype by Greg Heuer

**1/35**  
 St. George model  
**1914-1918**

**German artillery tractor**  
 Büssing MTW 55



Prototype by Peter Thierstein

**Limited edition** GM110 GM116 **Limited edition**