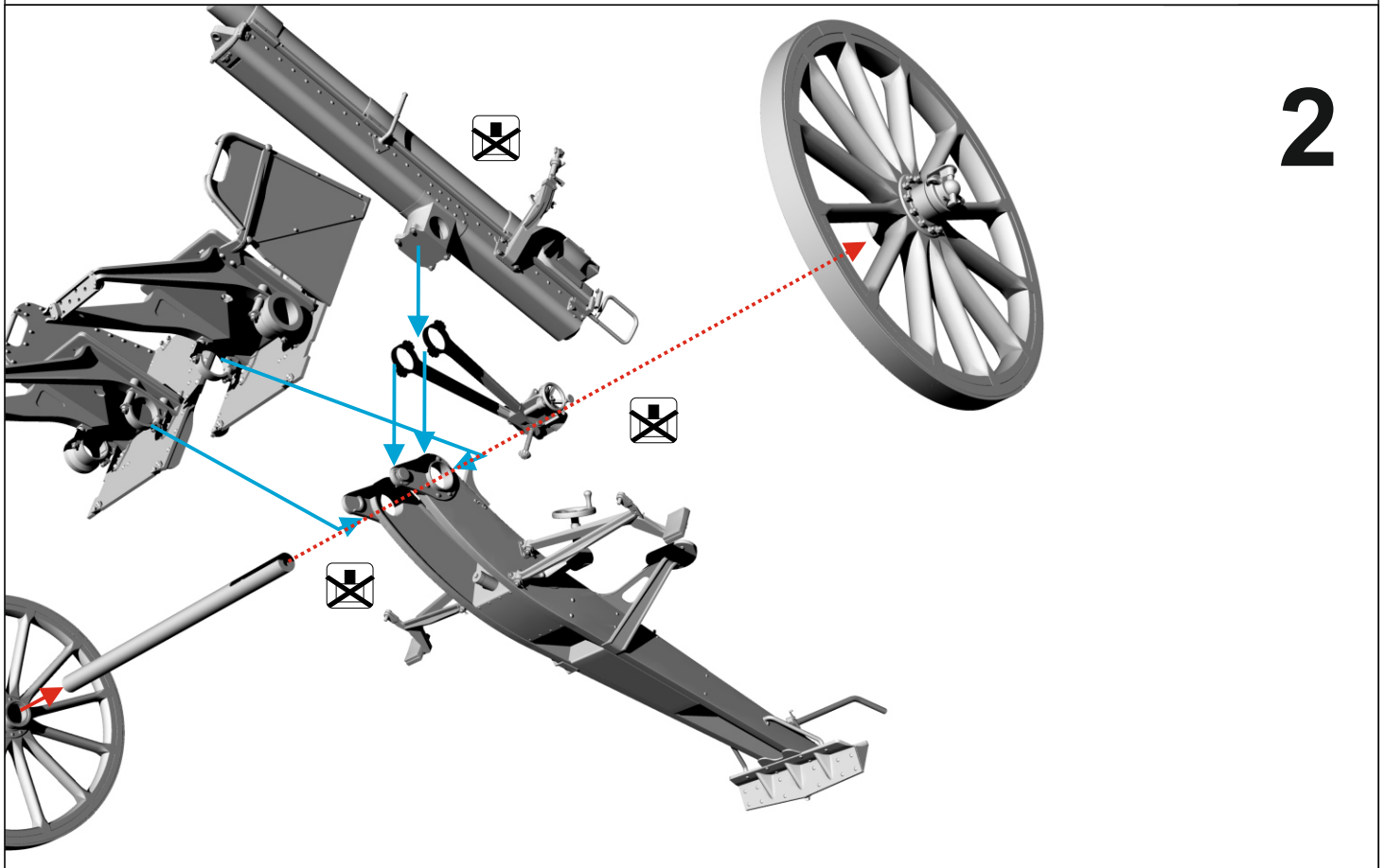
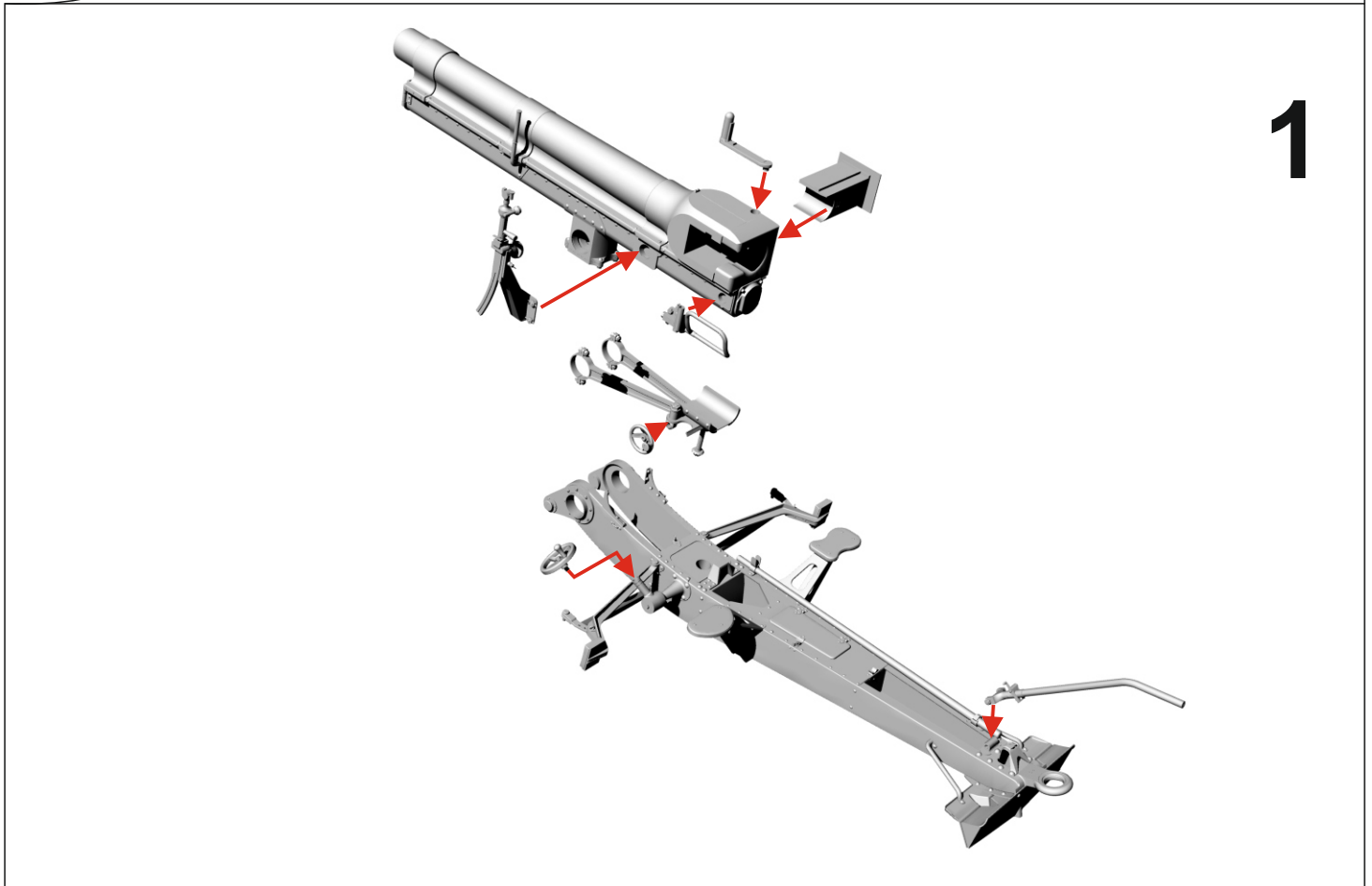




# German field gun FK 7,7cm n/A AA installation

GM118F 1/35

Attention! Some details in the instructions may differ in terms of equipment. These are kits of several individual parts or complex designs with combined parts.



Optional: Part was not used on all models.



Do not glue



Glue

W 0,6mm - wire diameter

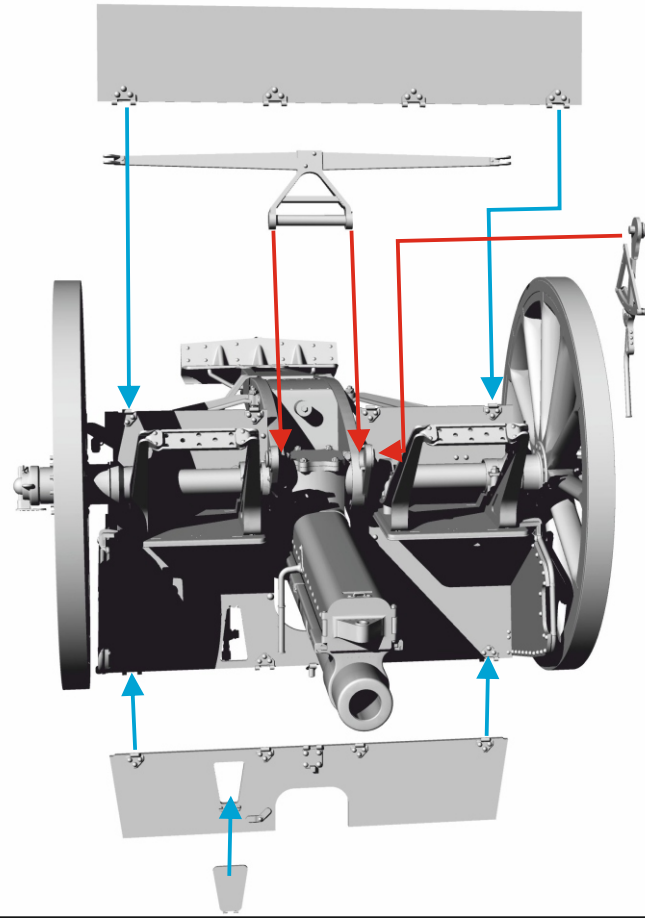


# German field gun FK 7,7cm n/A AA installation

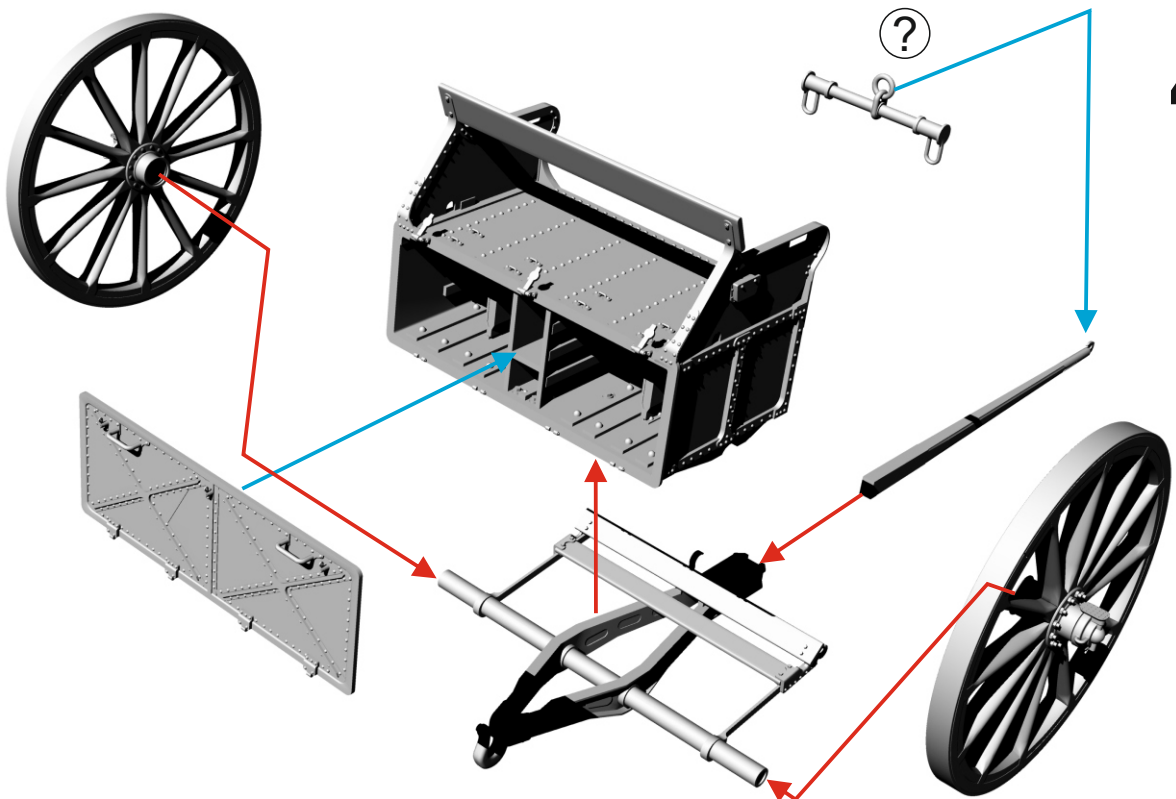
GM118F 1/35

Attention! Some details in the instructions may differ in terms of equipment. These are kits of several individual parts or complex designs with combined parts.

# 3



# 4



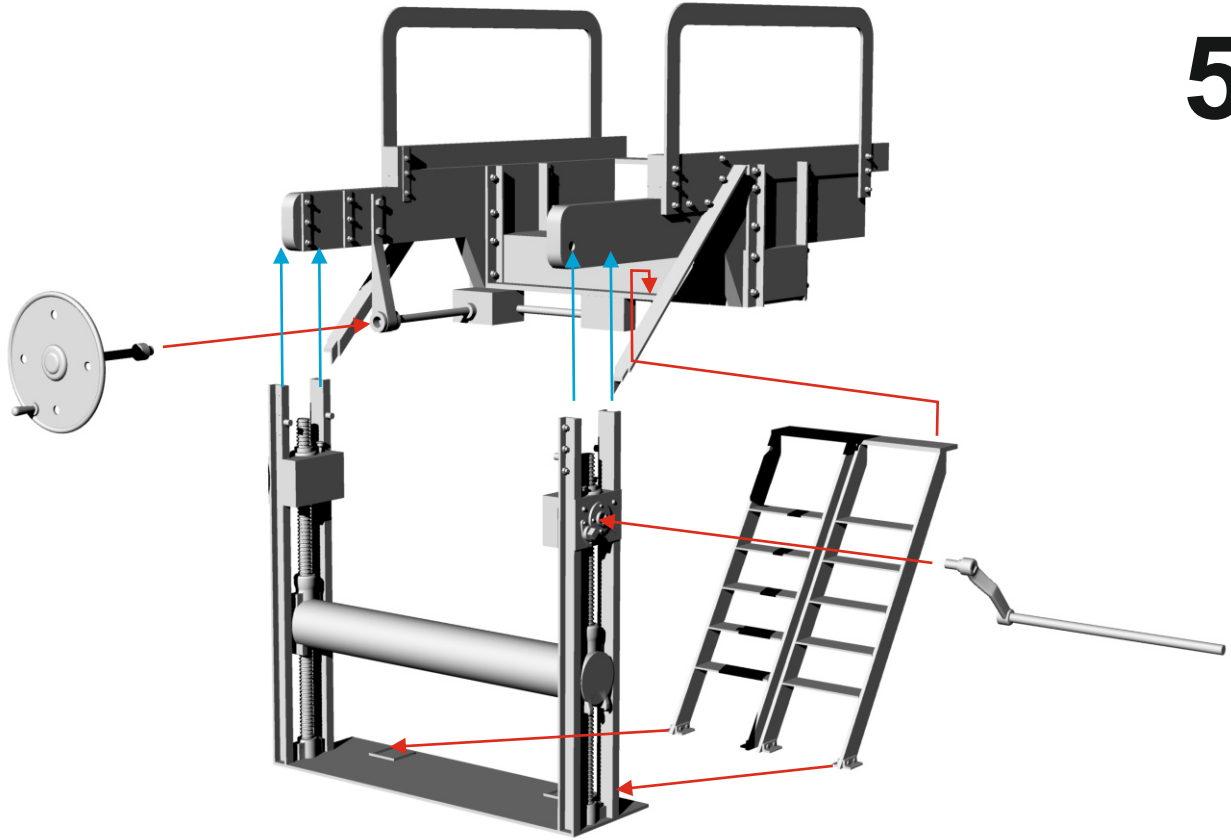


# German field gun FK 7,7cm n/A AA installation

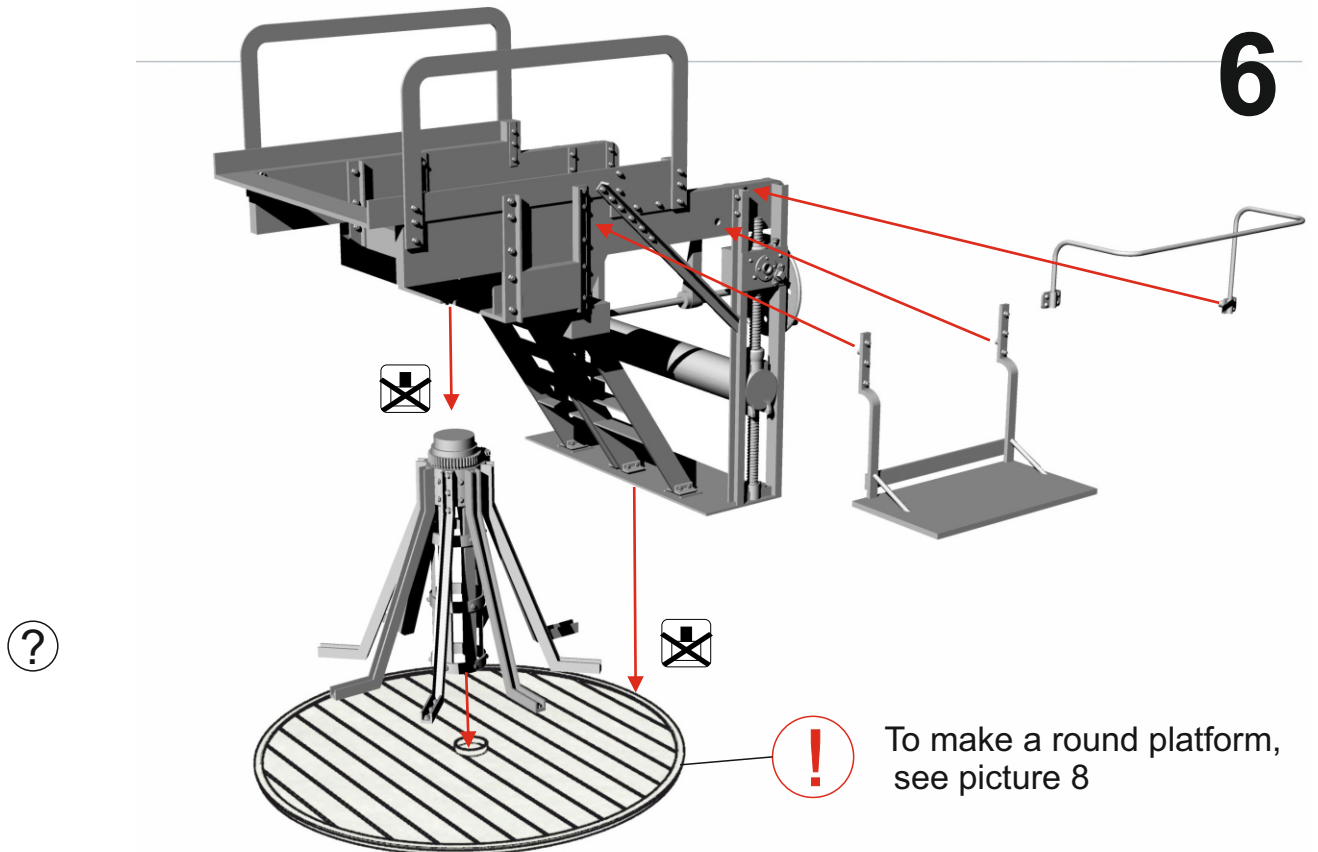
GM118F 1/35

Attention! Some details in the instructions may differ in terms of equipment. These are kits of several individual parts or complex designs with combined parts.

# 5



# 6



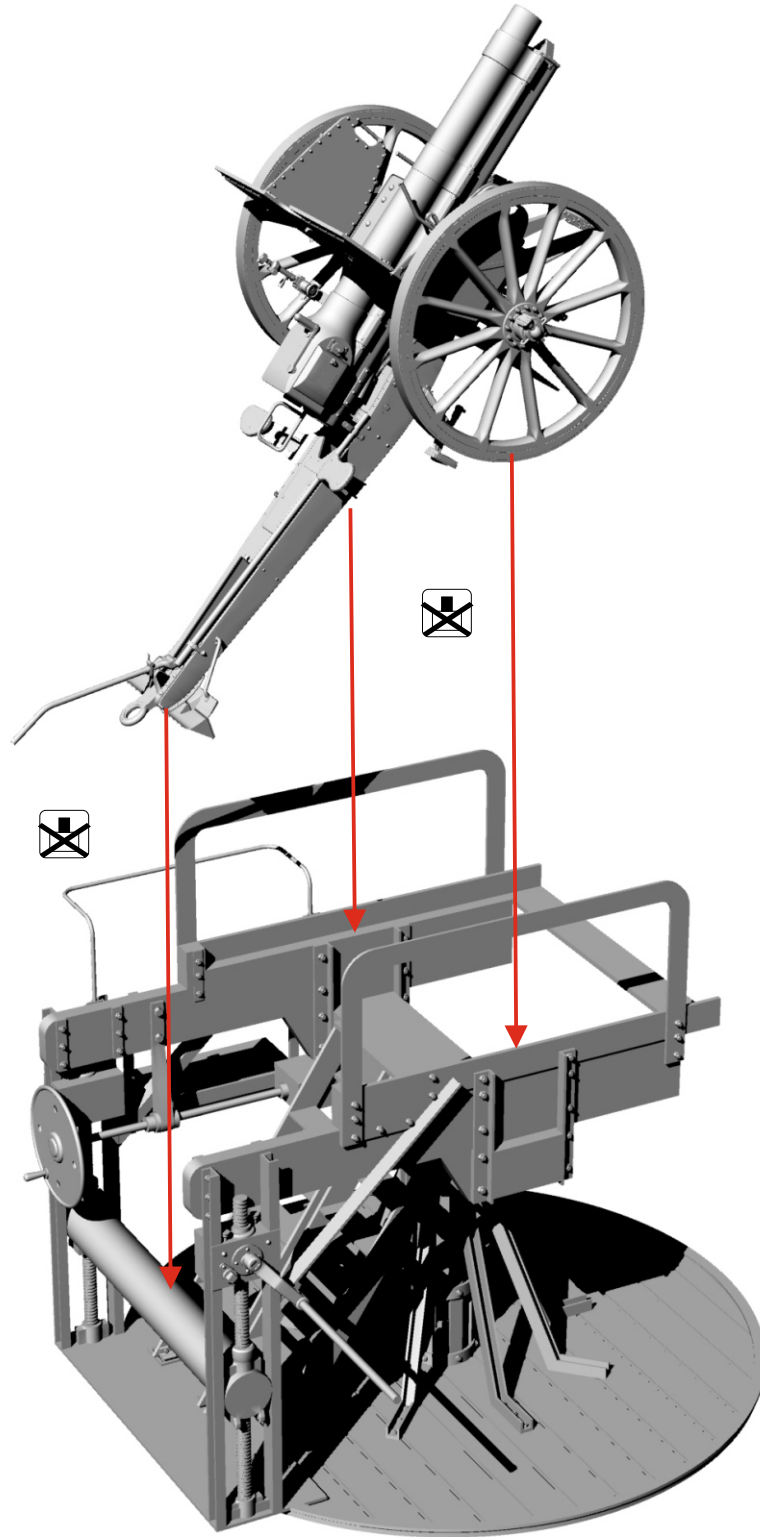


# German field gun FK 7,7cm n/A AA installation

GM118F 1/35

Attention! Some details in the instructions may differ in terms of equipment. These are kits of several individual parts or complex designs with combined parts.

7



Optional: Part was not used on all models.



Do not glue



Glue

W 0,6mm - wire diameter



# German field gun FK 7,7cm n/A AA installation

GM118F 1/35

Print out the drawings of the platform. Glue onto cardboard and cut out. It is very convenient to use self-adhesive paper for printing.

