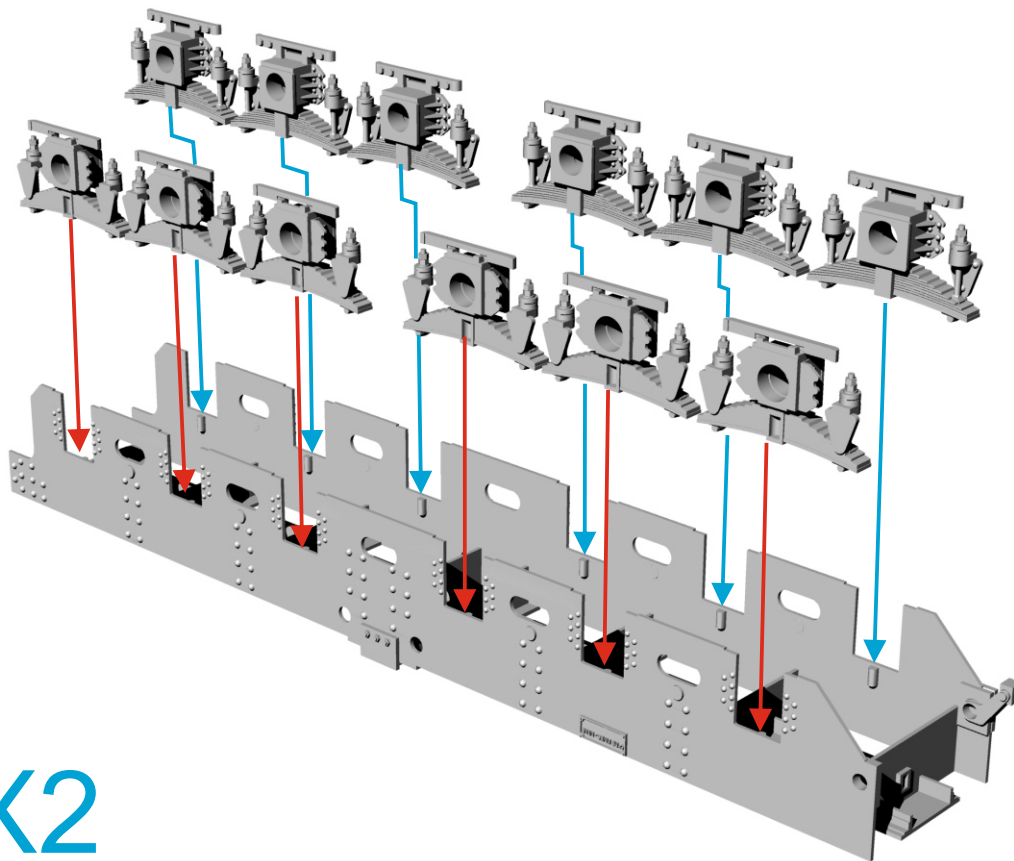




# French gun 240mm TAZ. Mod. 1893/96 "Colonies", Saint-Chamond

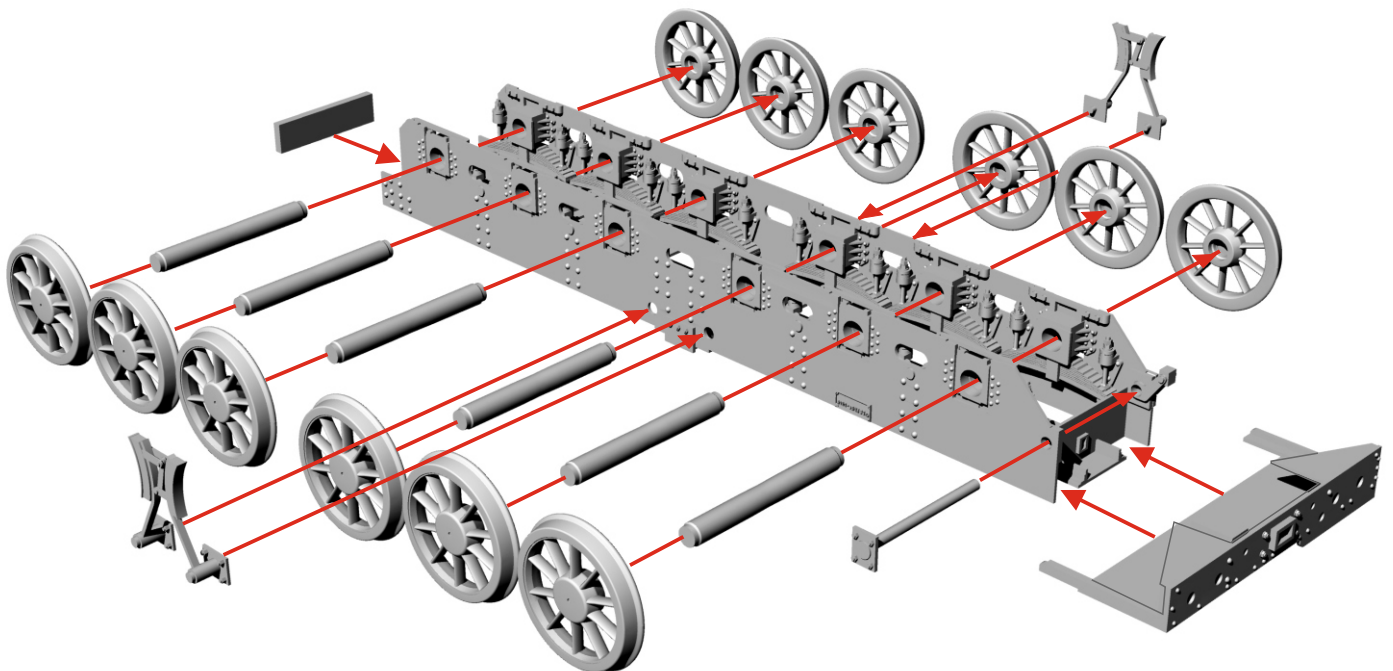
1/35  
GM 119

Attention! Some details in the instructions may differ in terms of equipment. These are kits of several individual parts or complex designs with combined parts.



X2

1



X2

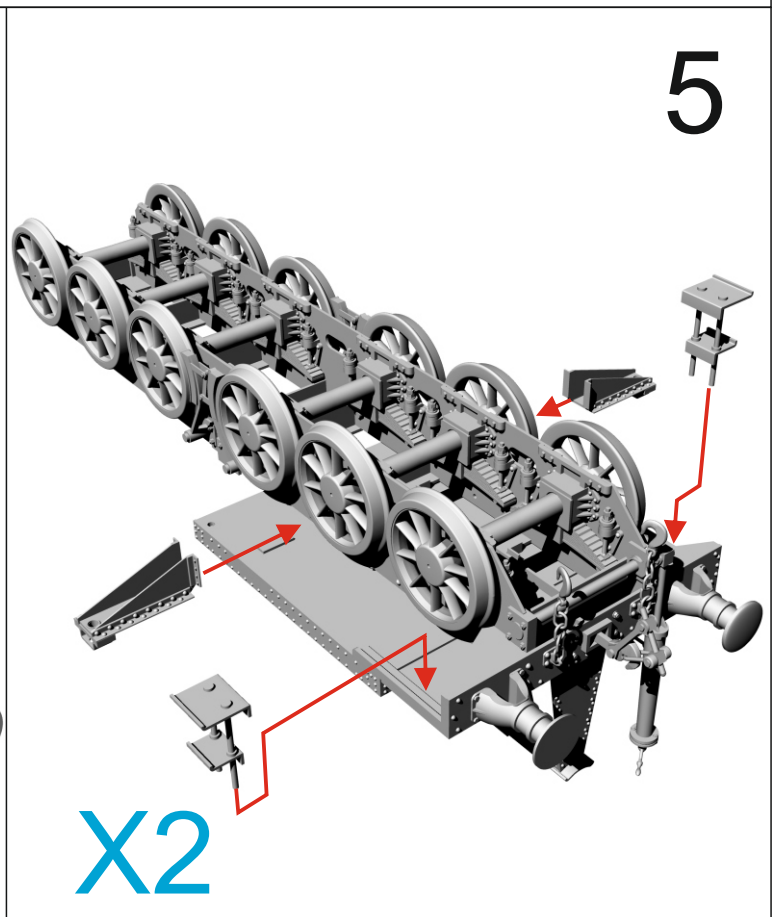
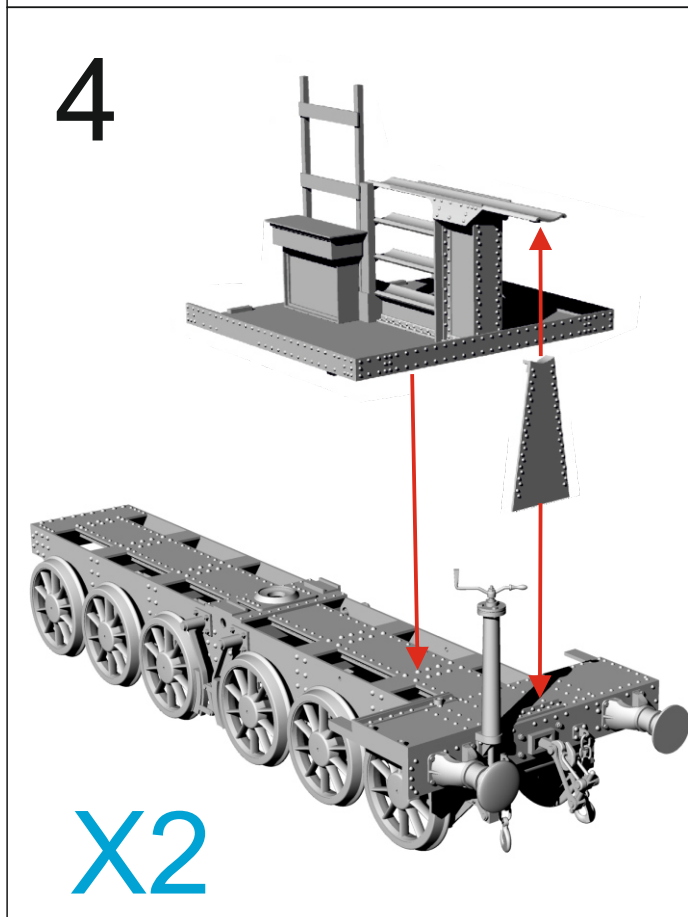
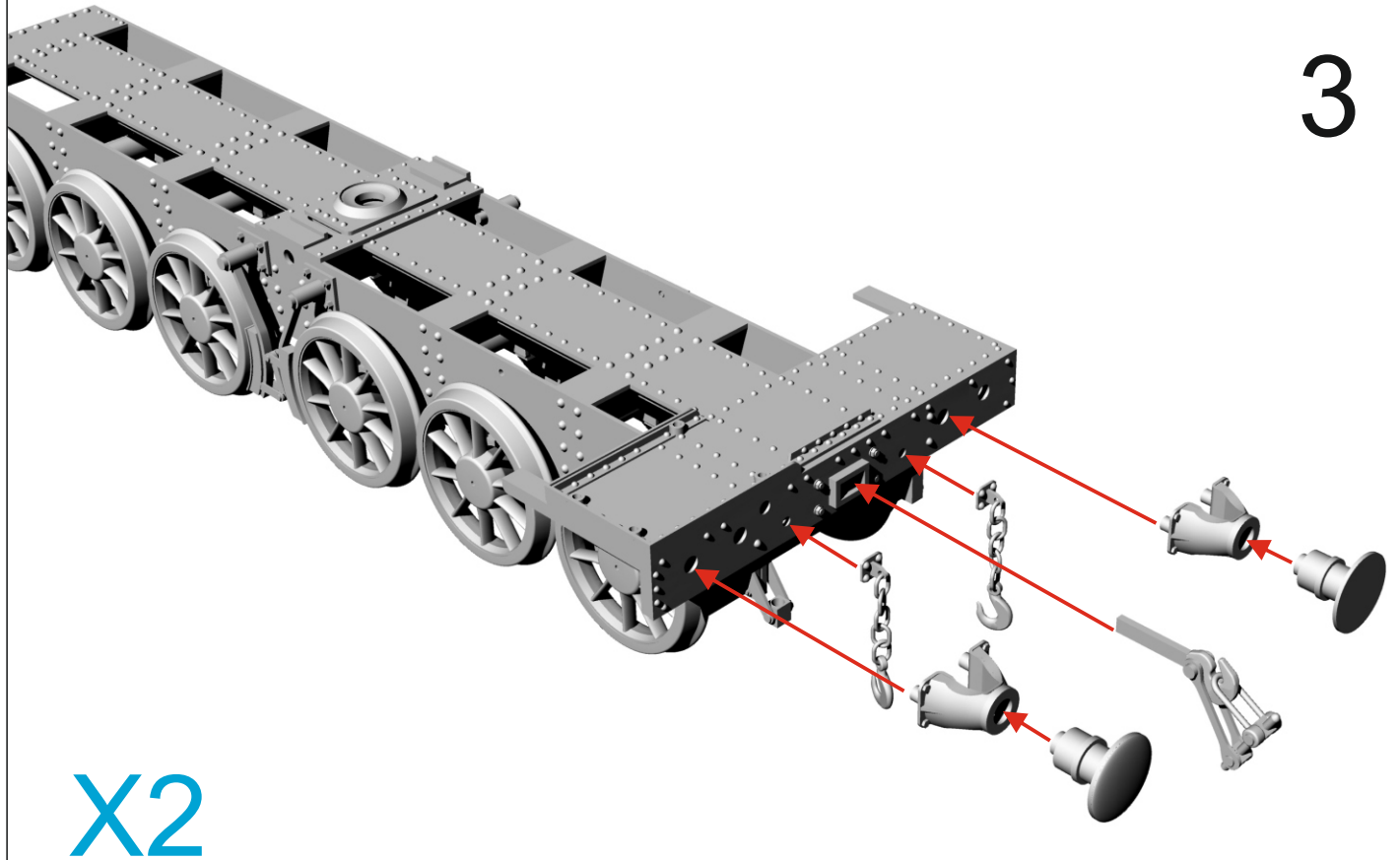
2



# French gun 240mm TAZ. Mod. 1893/96 "Colonies", Saint-Chamond

1/35  
GM 119

Attention! Some details in the instructions may differ in terms of equipment. These are kits of several individual parts or complex designs with combined parts.





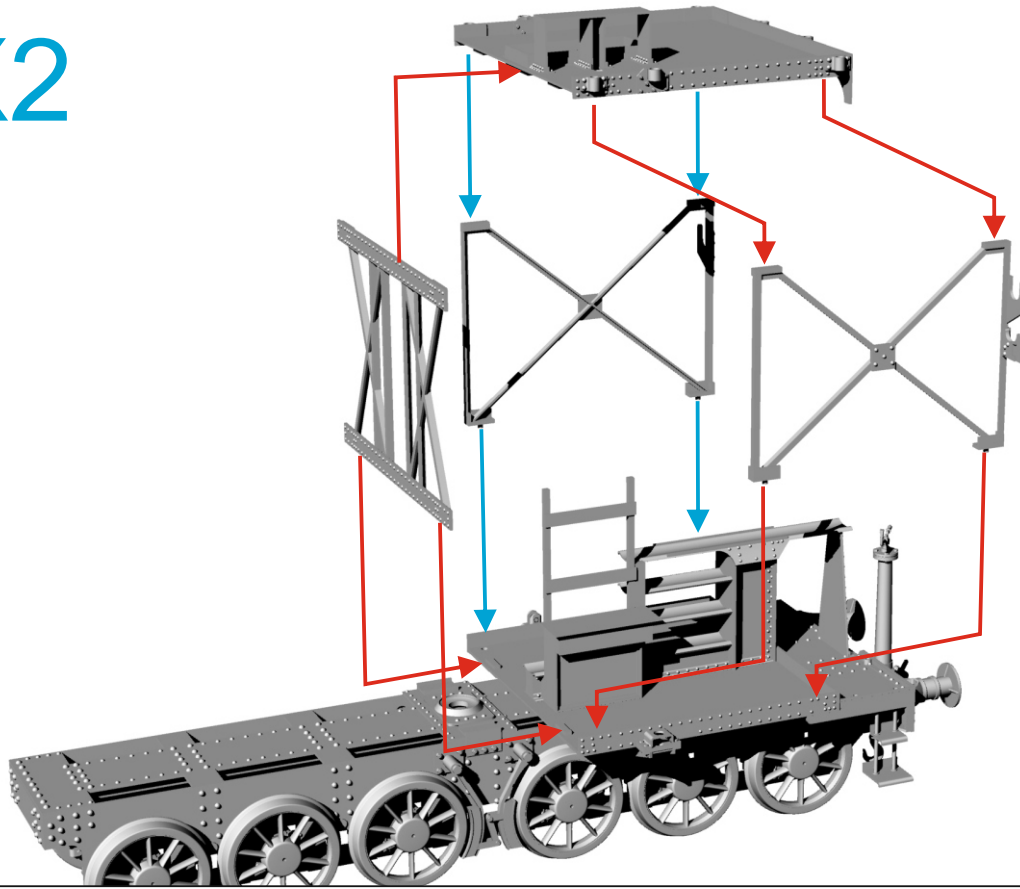
# French gun 240mm TAZ. Mod. 1893/96 "Colonies", Saint-Chamond

1/35  
GM 119

Attention! Some details in the instructions may differ in terms of equipment. These are kits of several individual parts or complex designs with combined parts.

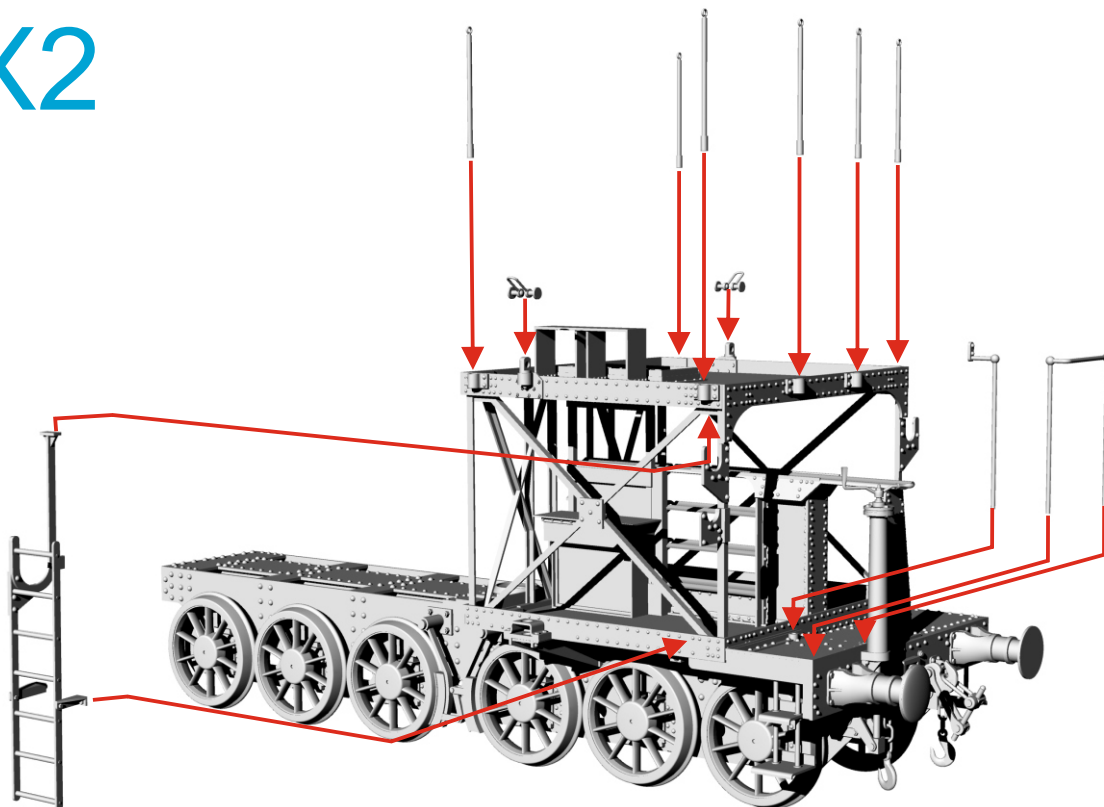
X2

6



X2

7

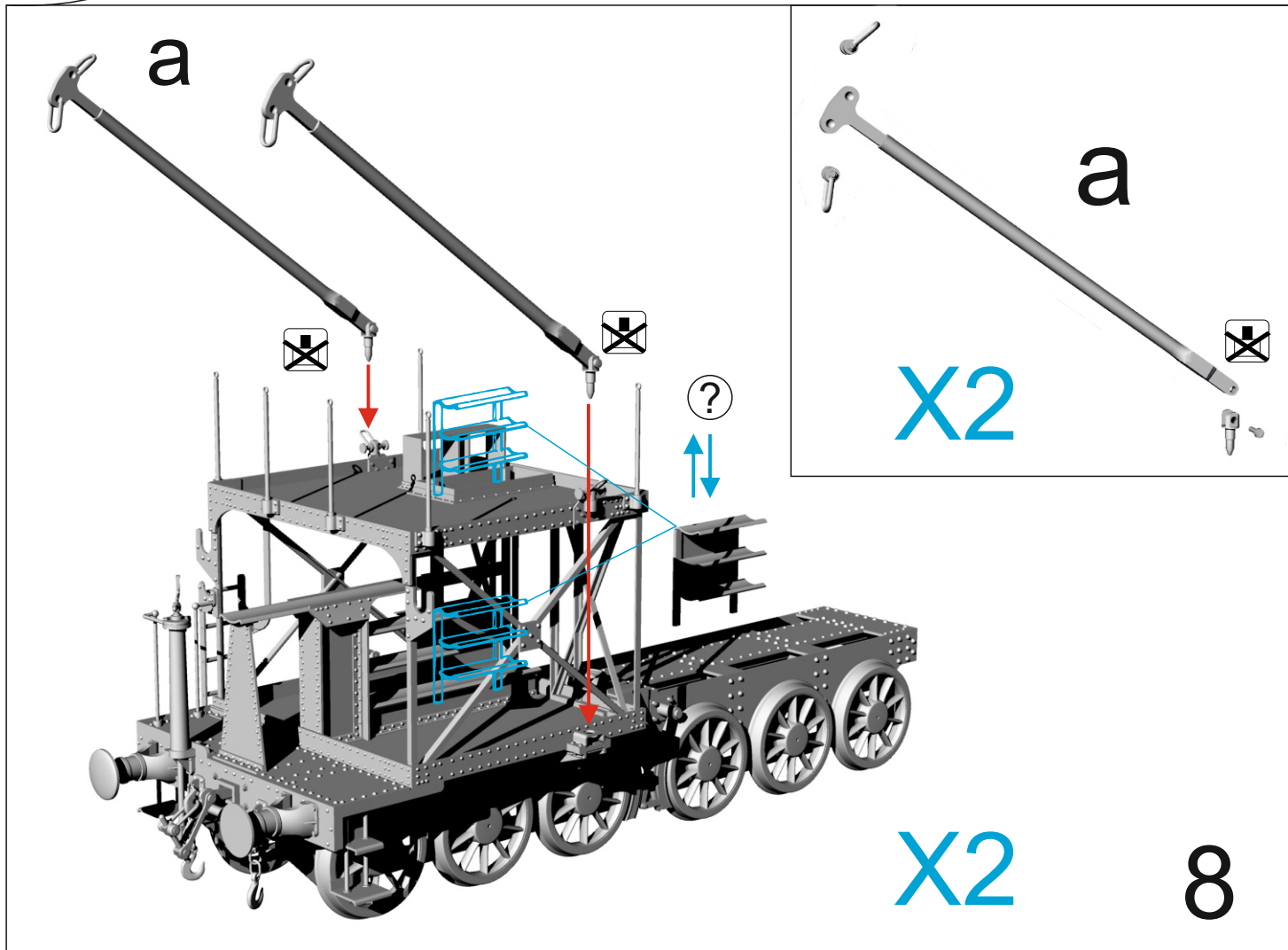




# French gun 240mm TAZ. Mod. 1893/96 "Colonies", Saint-Chamond

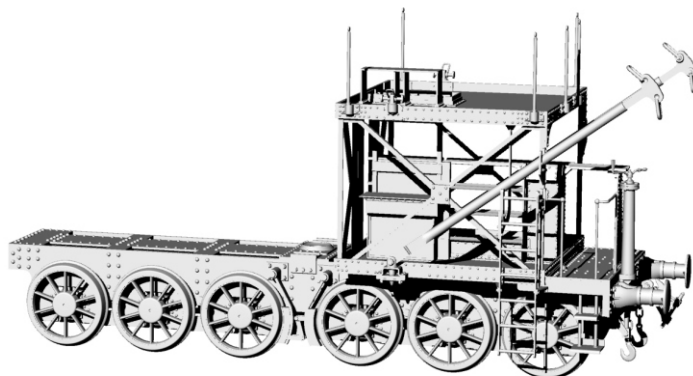
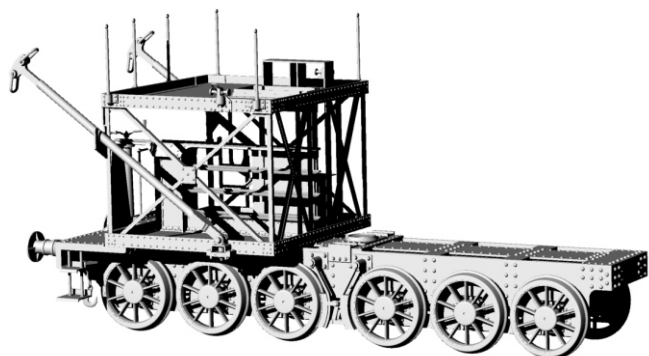
1/35  
GM 119

Attention! Some details in the instructions may differ in terms of equipment. These are kits of several individual parts or complex designs with combined parts.



Finished look

**9**



Optional: Part was not used on all models.



Do not glue



Glue

W 0,6mm - wire diameter

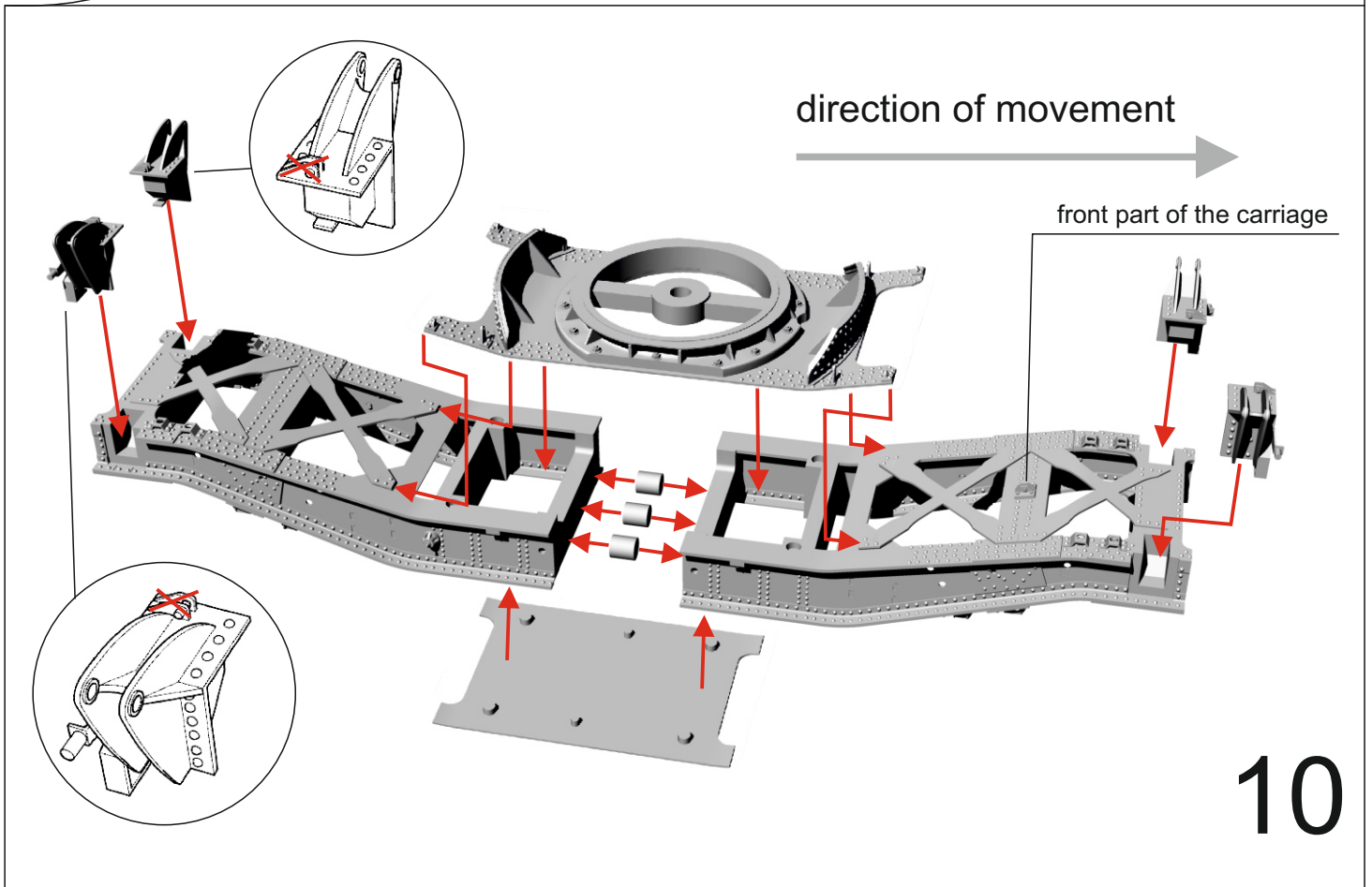




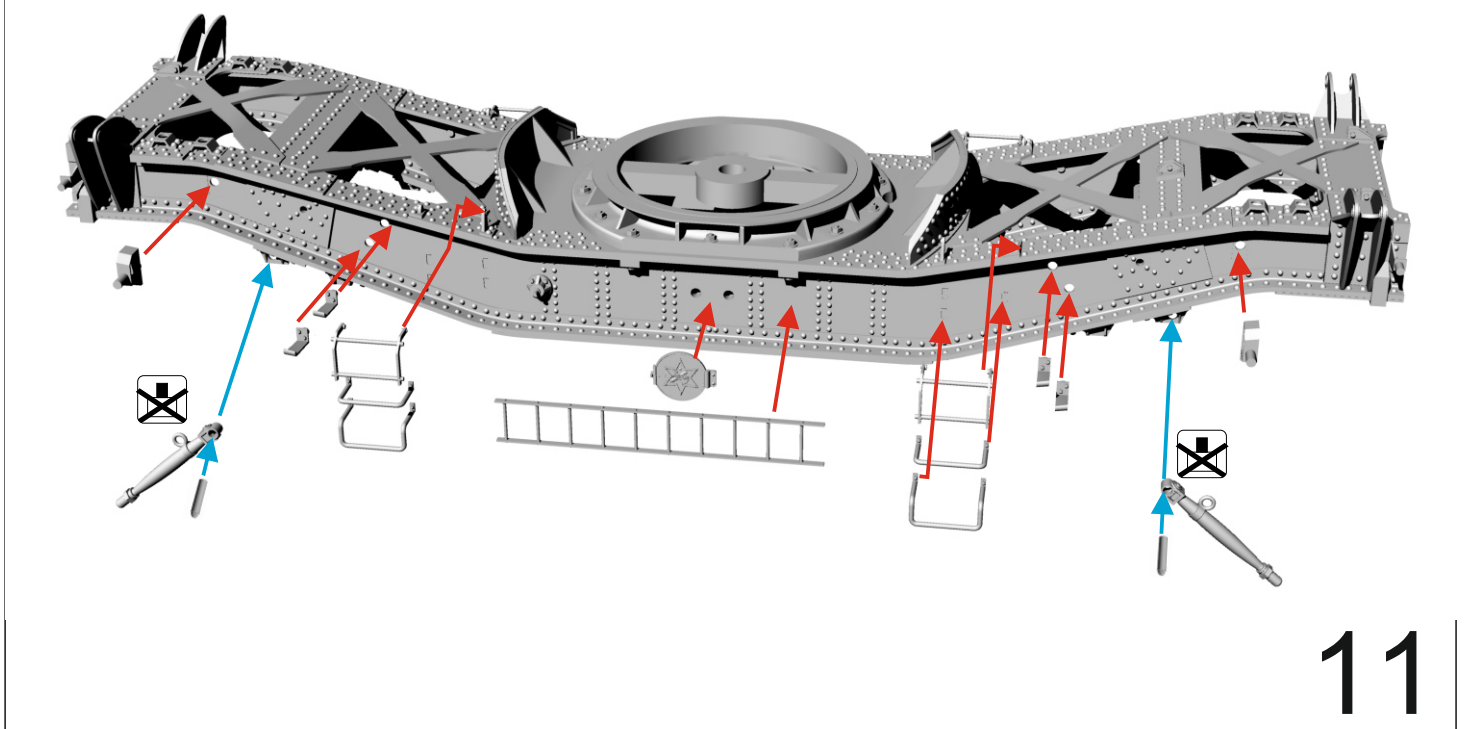
# French gun 240mm TAZ. Mod. 1893/96 "Colonies", Saint-Chamond

1/35  
GM 119

Attention! Some details in the instructions may differ in terms of equipment. These are kits of several individual parts or complex designs with combined parts.



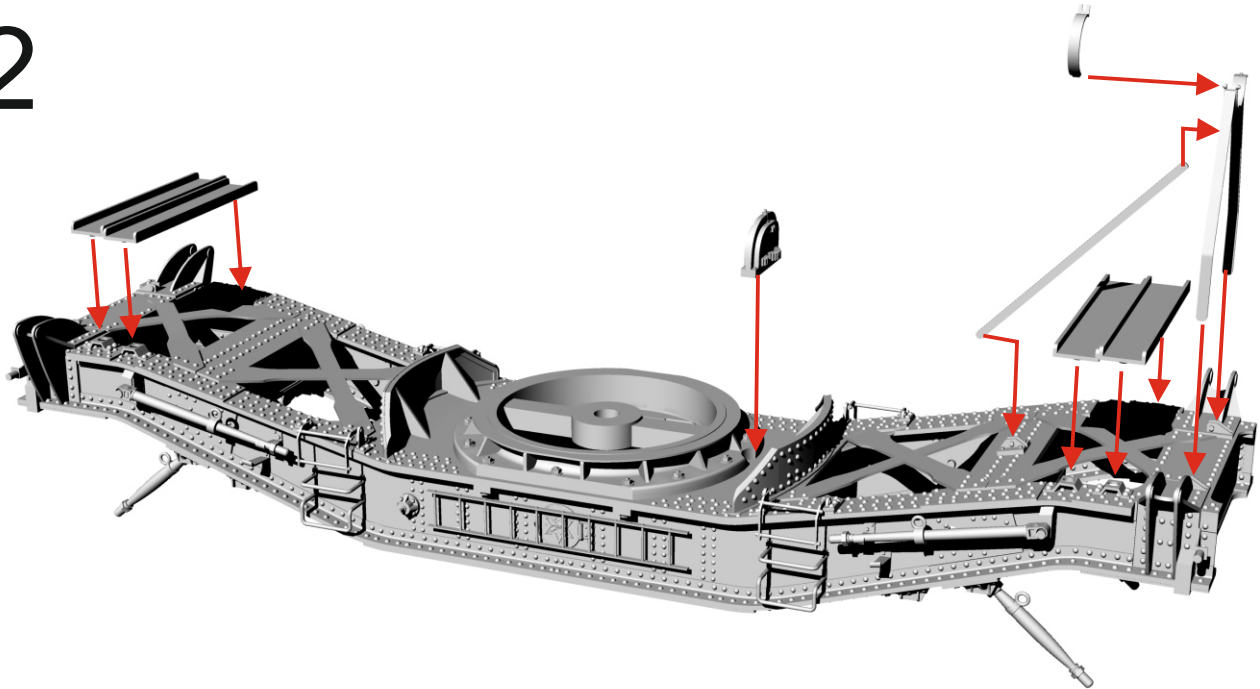
repeat on the back side of the carriage





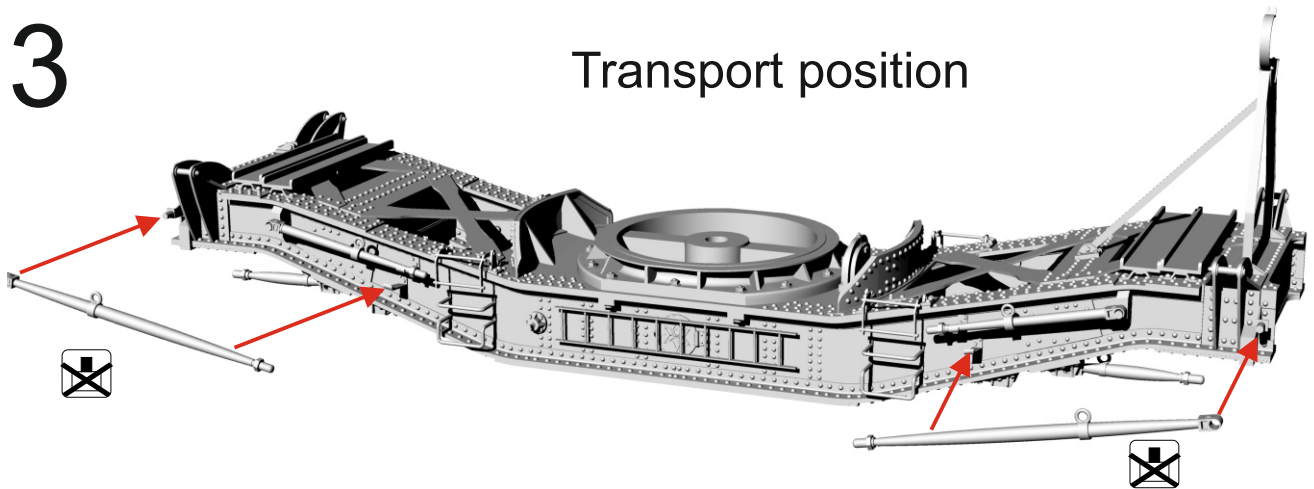
Attention! Some details in the instructions may differ in terms of equipment. These are kits of several individual parts or complex designs with combined parts.

12

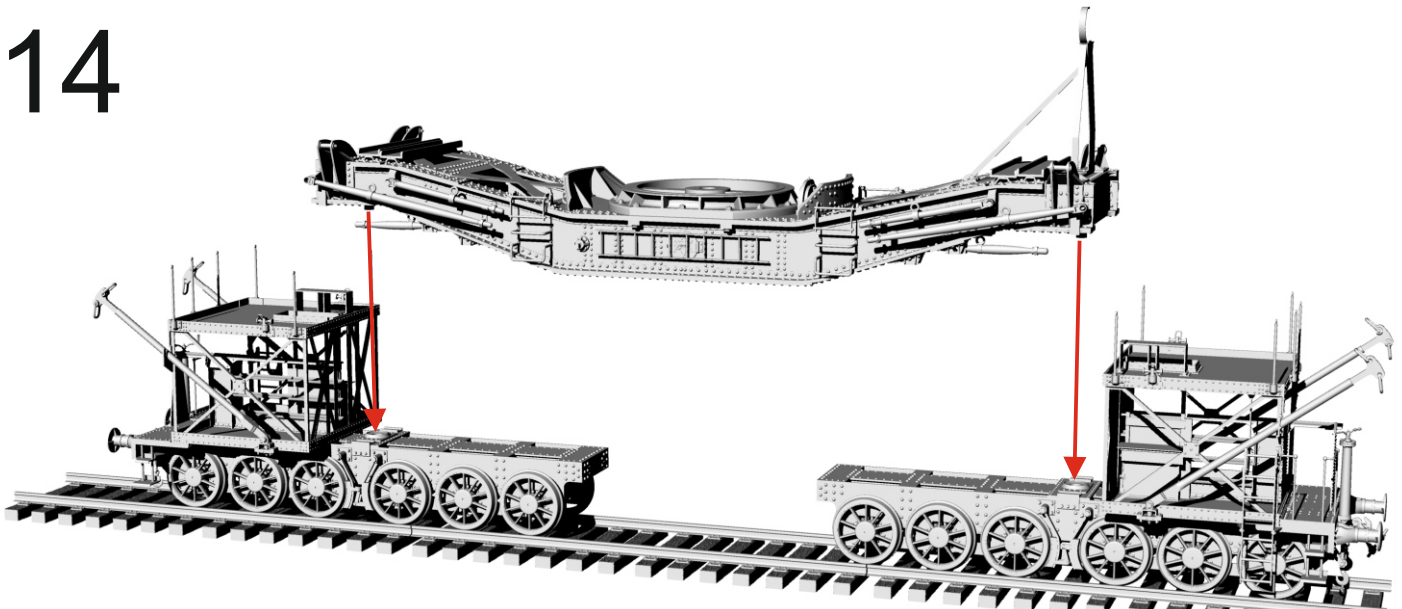


13

Transport position



14



Optional: Part was not used on all models.



Do not glue



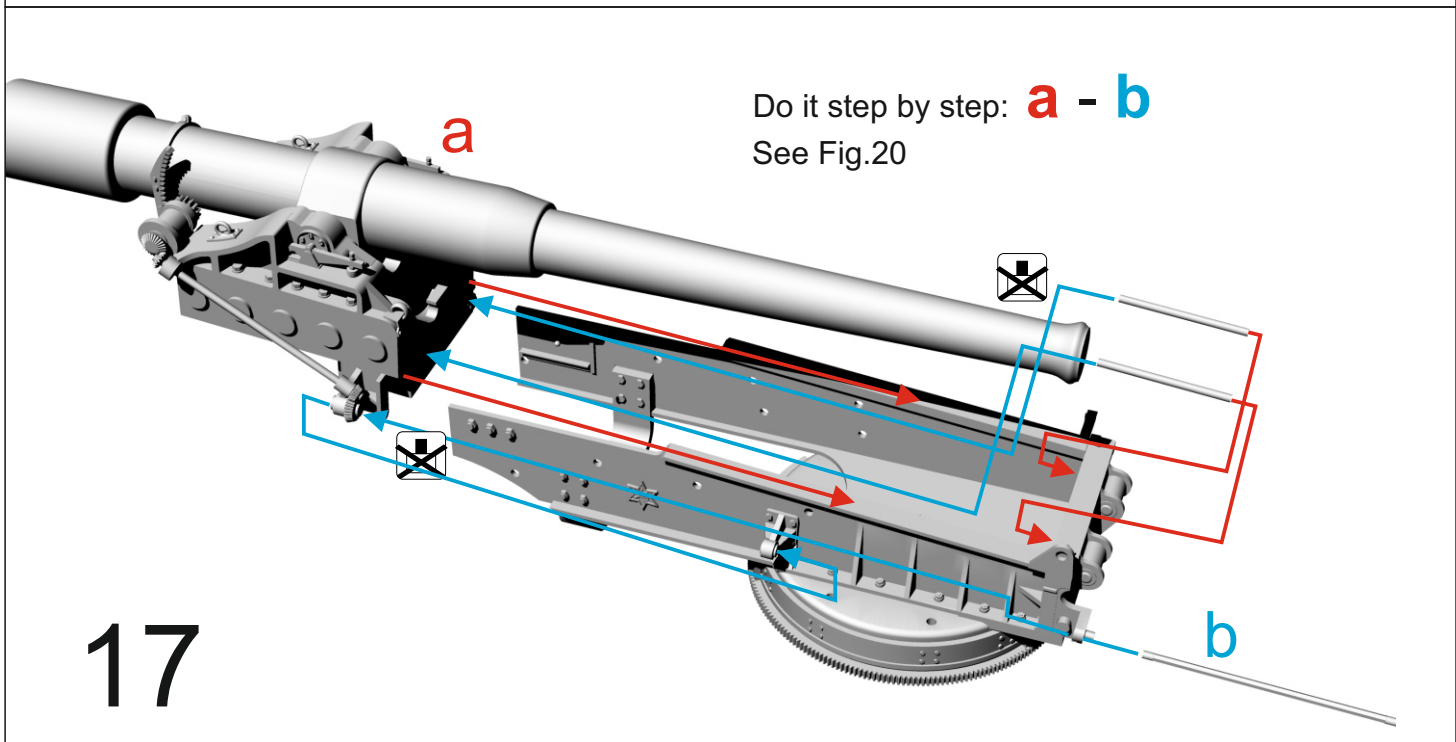
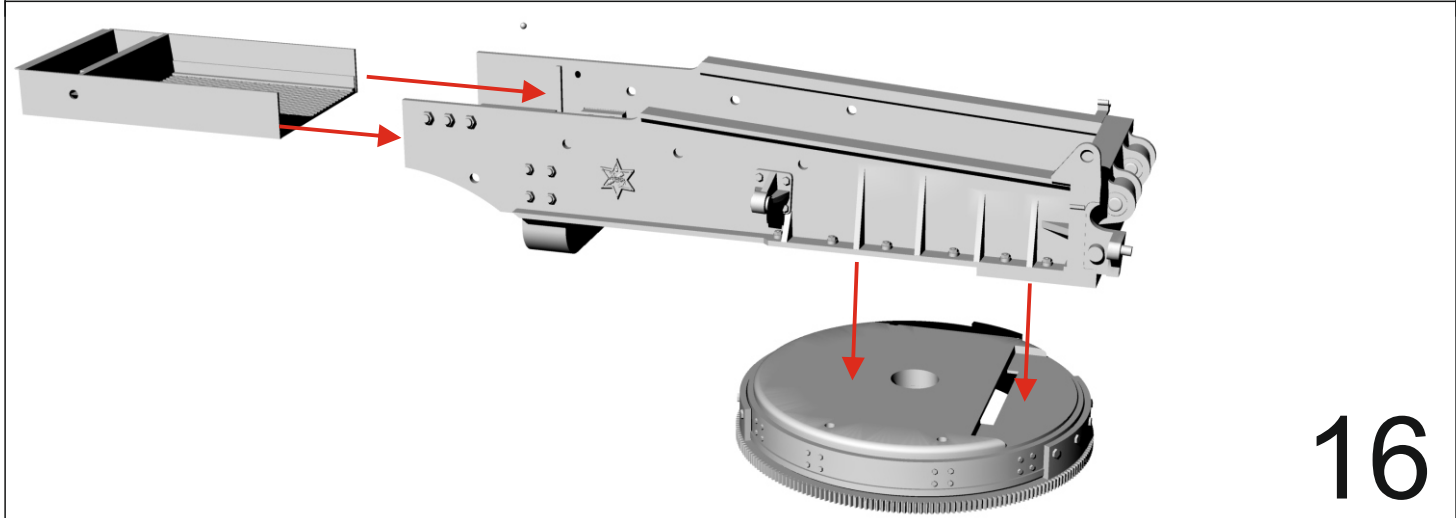
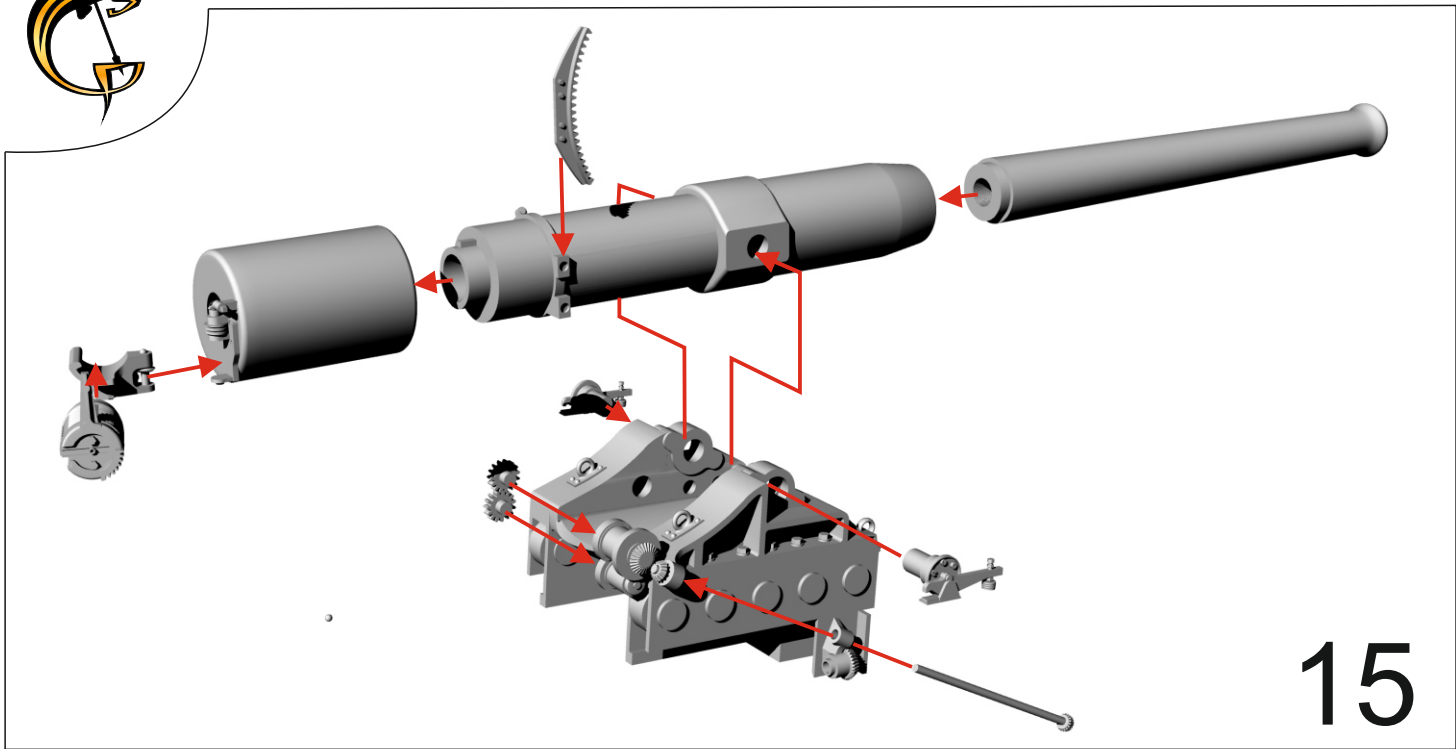
Glue

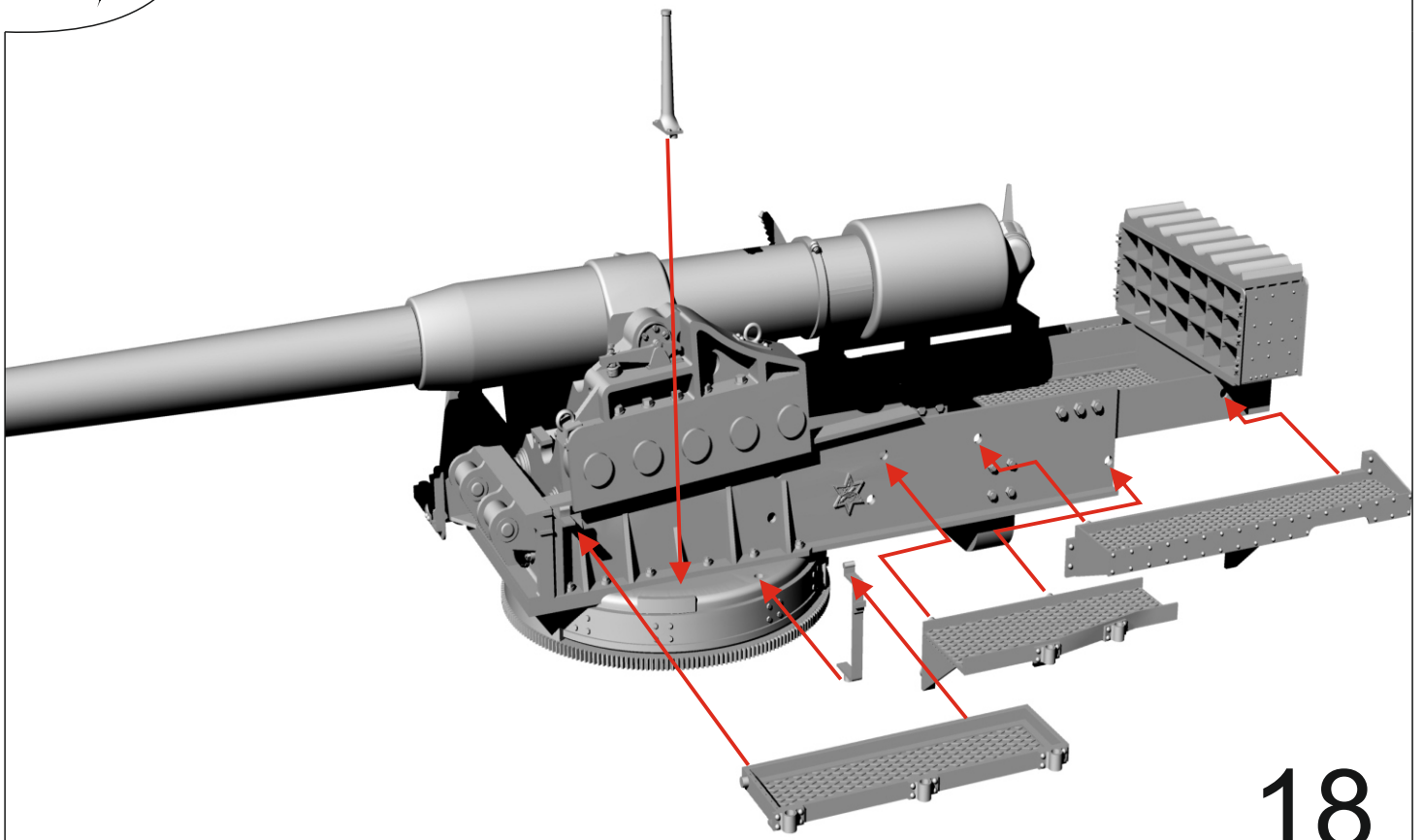
W 0,6mm - wire diameter



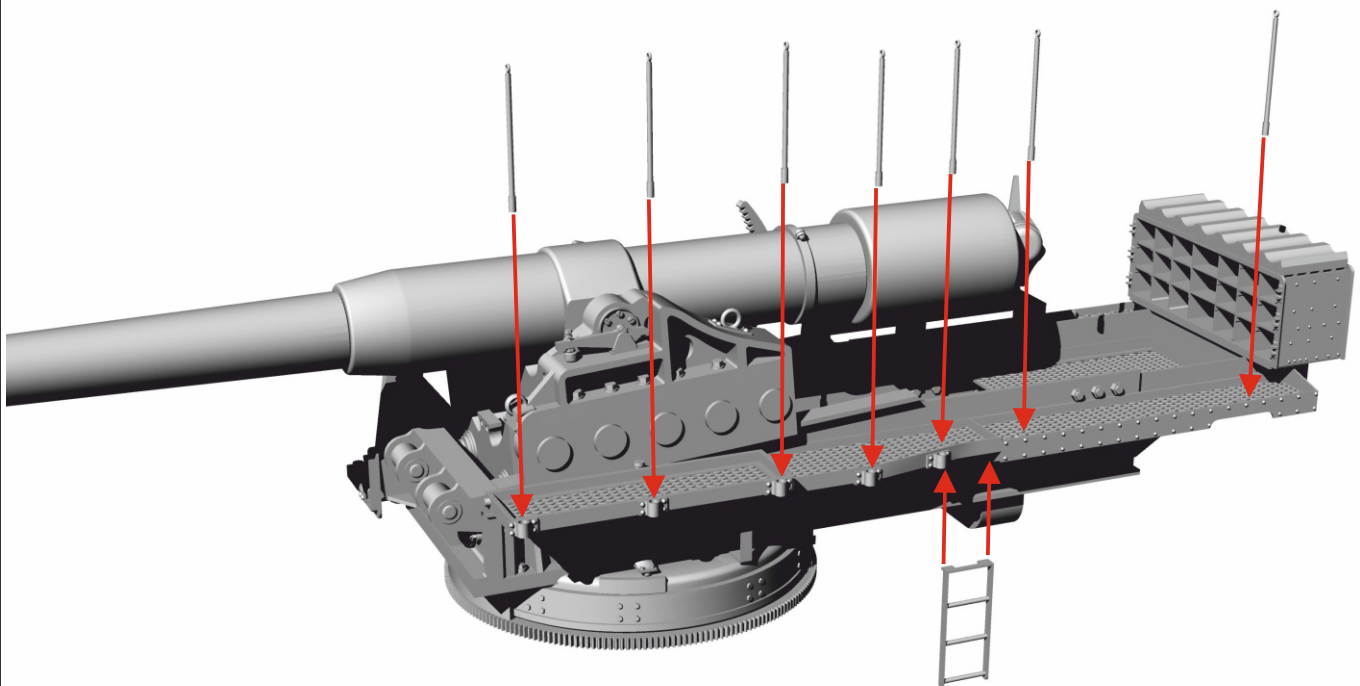
*French gun 240mm TAZ. Mod. 1893/96  
"Colonies", Saint-Chamond*

1/35  
GM 119





18



19



Optional: Part was not used on all models.



Do not glue



Glue

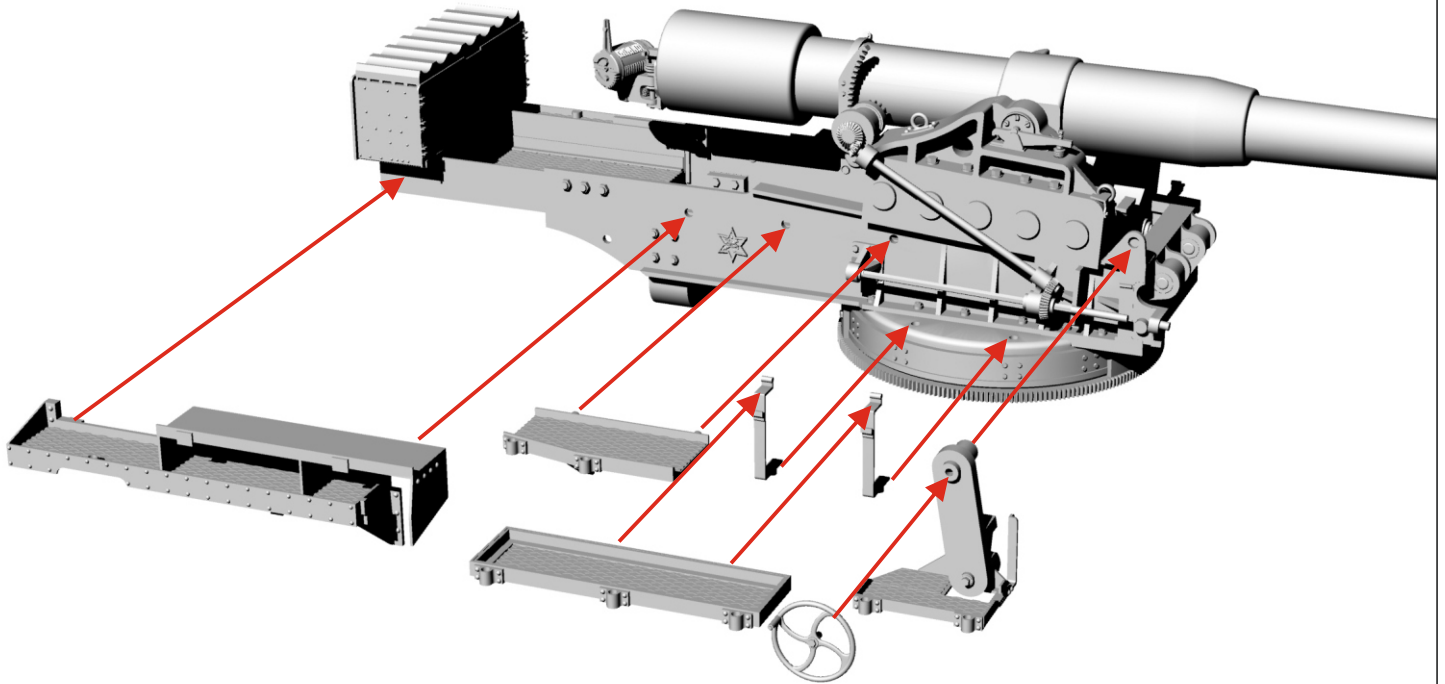
W 0,6mm - wire diameter



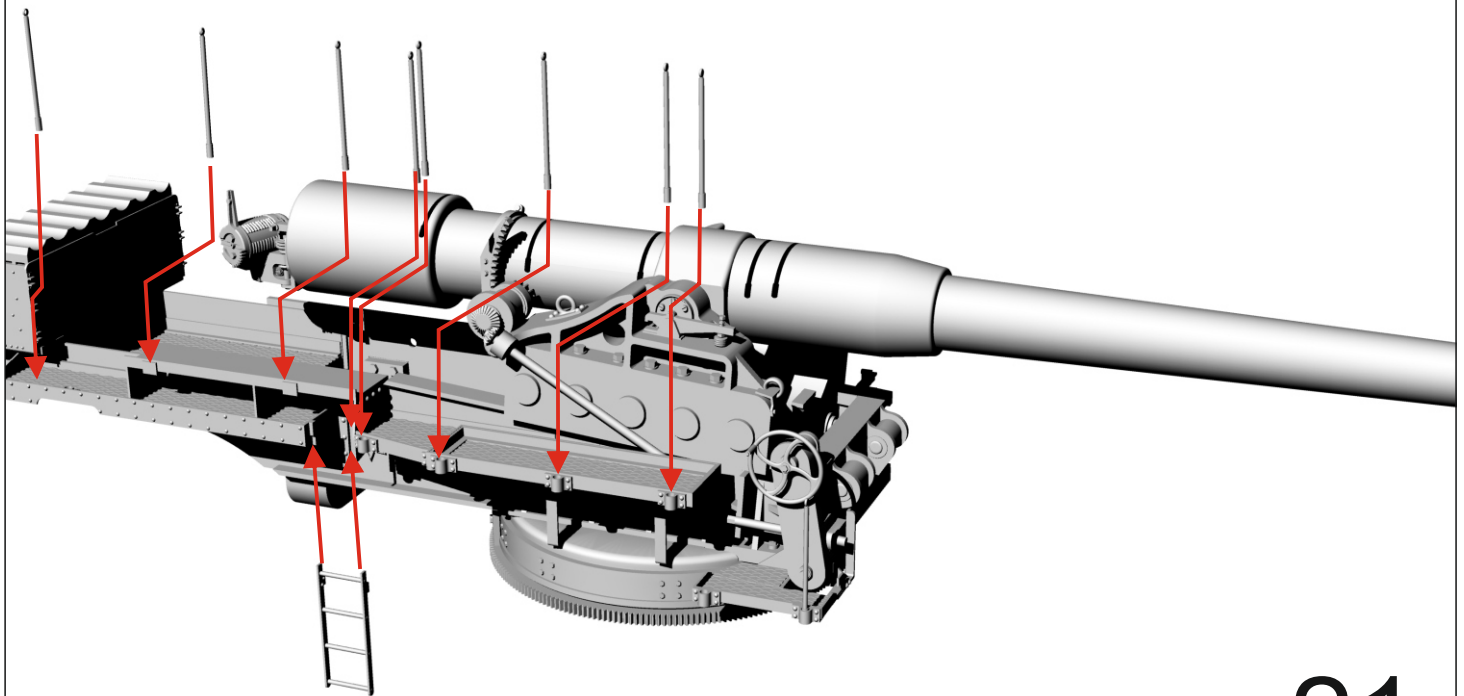


*French gun 240mm TAZ. Mod. 1893/96  
"Colonies", Saint-Chamond*

1/35  
GM 119



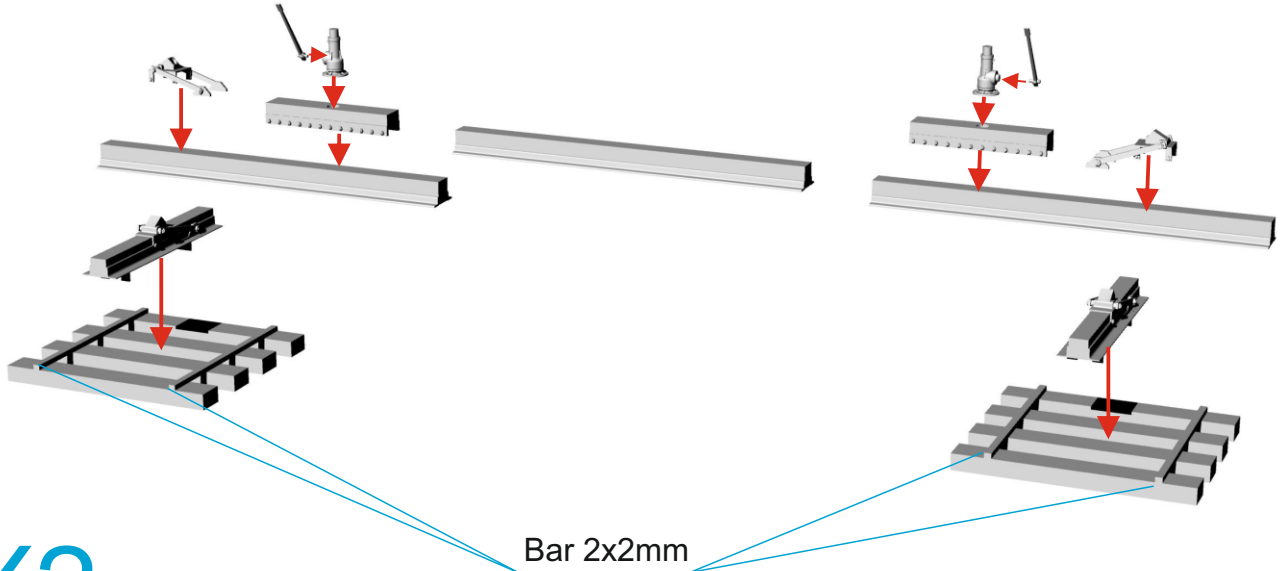
20



21



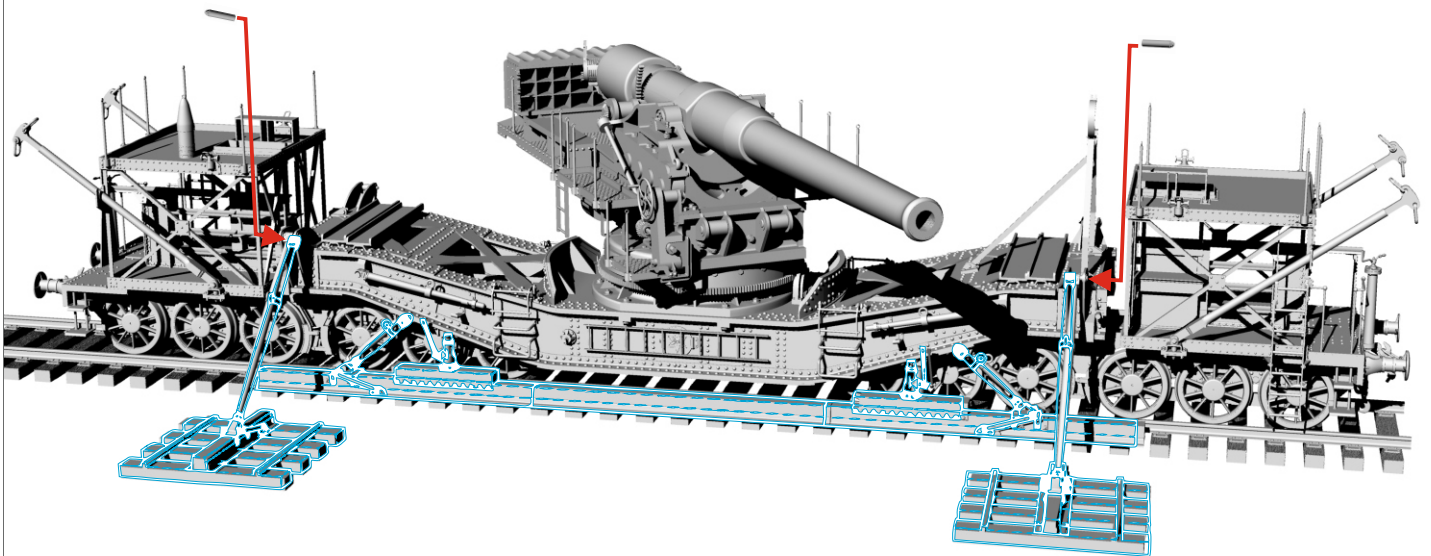
Installation of a gun for firing. Do it on both sides of the carriage.



X2

20

Installation of a gun for firing. Do it on both sides of the carriage.



X2

21



Optional: Part was not used on all models.



Do not glue



Glue

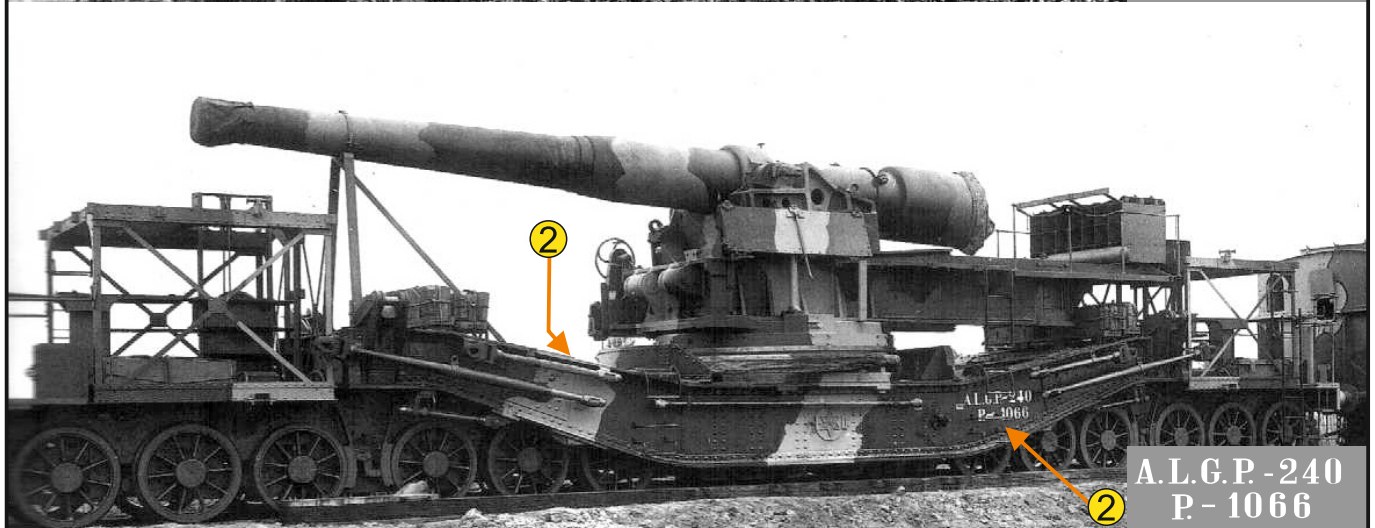
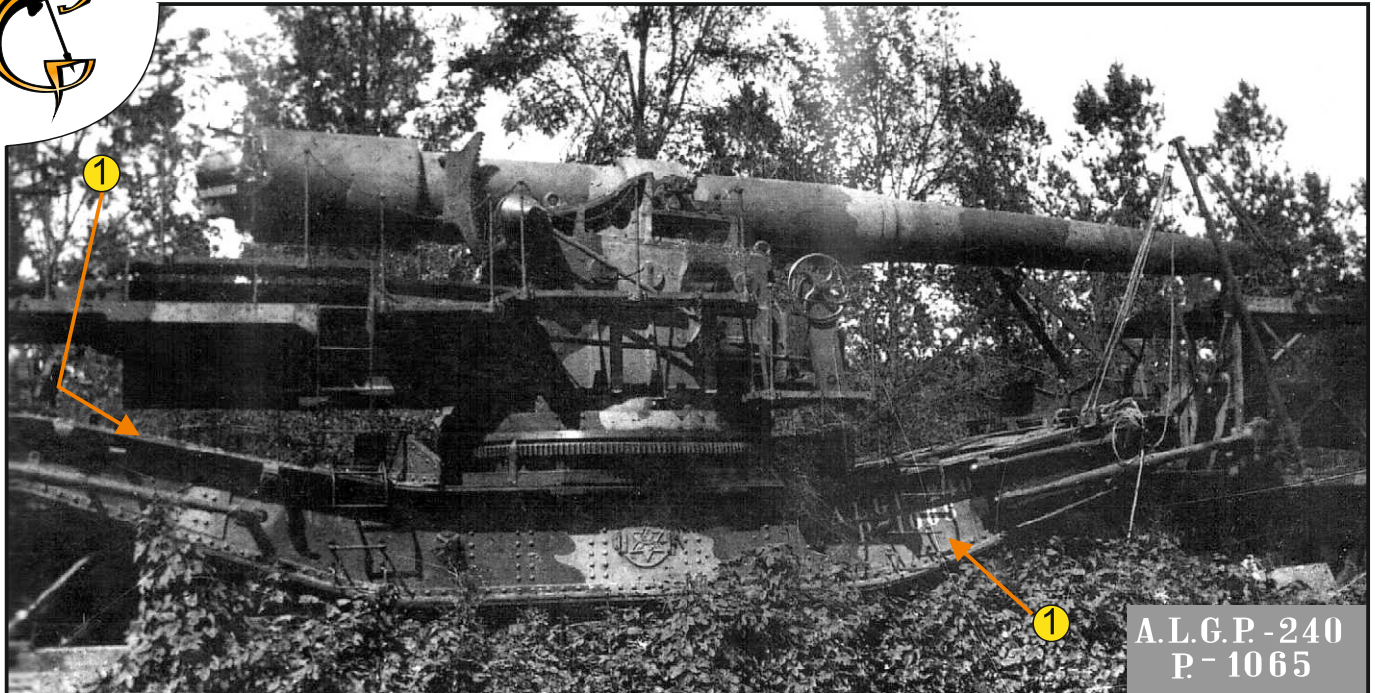
W 0,6mm - wire diameter





# French gun 240mm TAZ. Mod. 1893/96 "Colonies", Saint-Chamond

1/35  
GM 119



240mm TAZ Mod. 1893/96 "Colonies" 1/35  
Saint-Chamond

A.L.G.P. -240 A.L.G.P. -240  
P - 1065 P - 1065

012456 012456

WWI

WWII



St.George model

artmaquette@mail.ru

