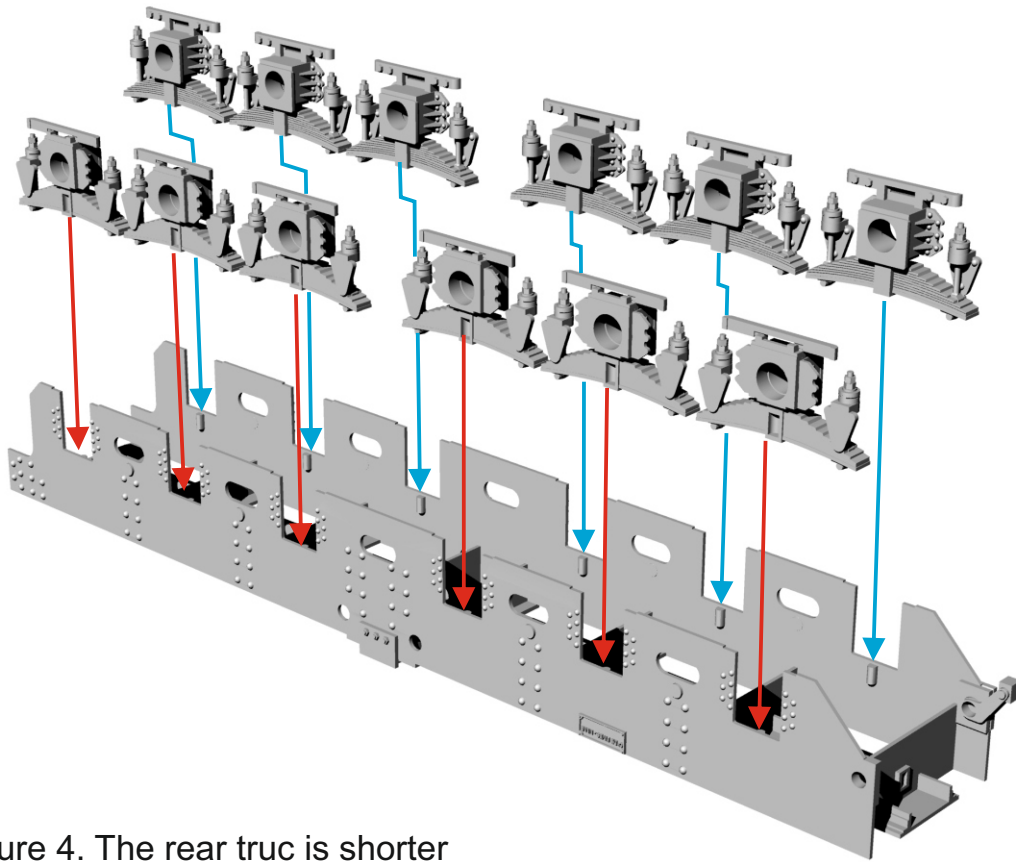




French howitzer 400mm. Mod. 1915, Saint-Chamond

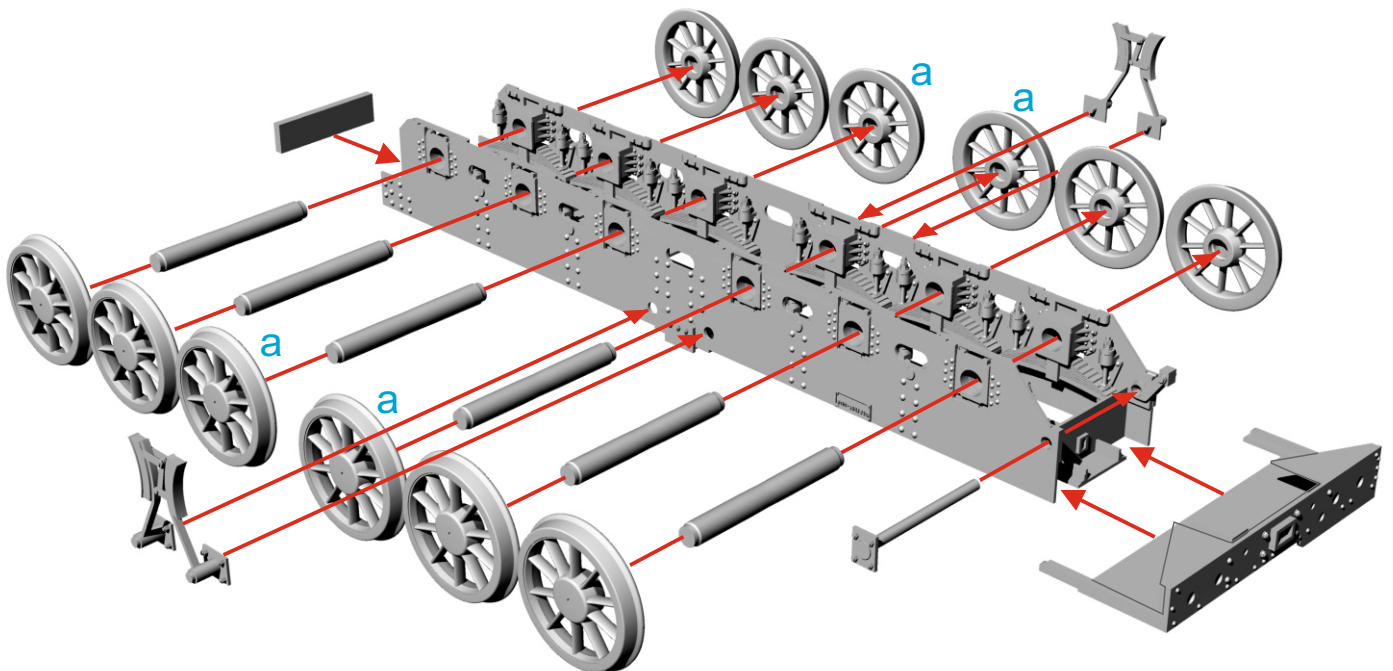
1/35
GM 120

Attention! Some details in the instructions may differ in terms of equipment. These are kits of several individual parts or complex designs with combined parts.



See picture 4. The rear truc is shorter

a - Wheels without flanges



See picture 4. The rear truc is shorter



Optional: Part was not used on all models.



Do not glue



Glue

W 0,6mm - wire diameter

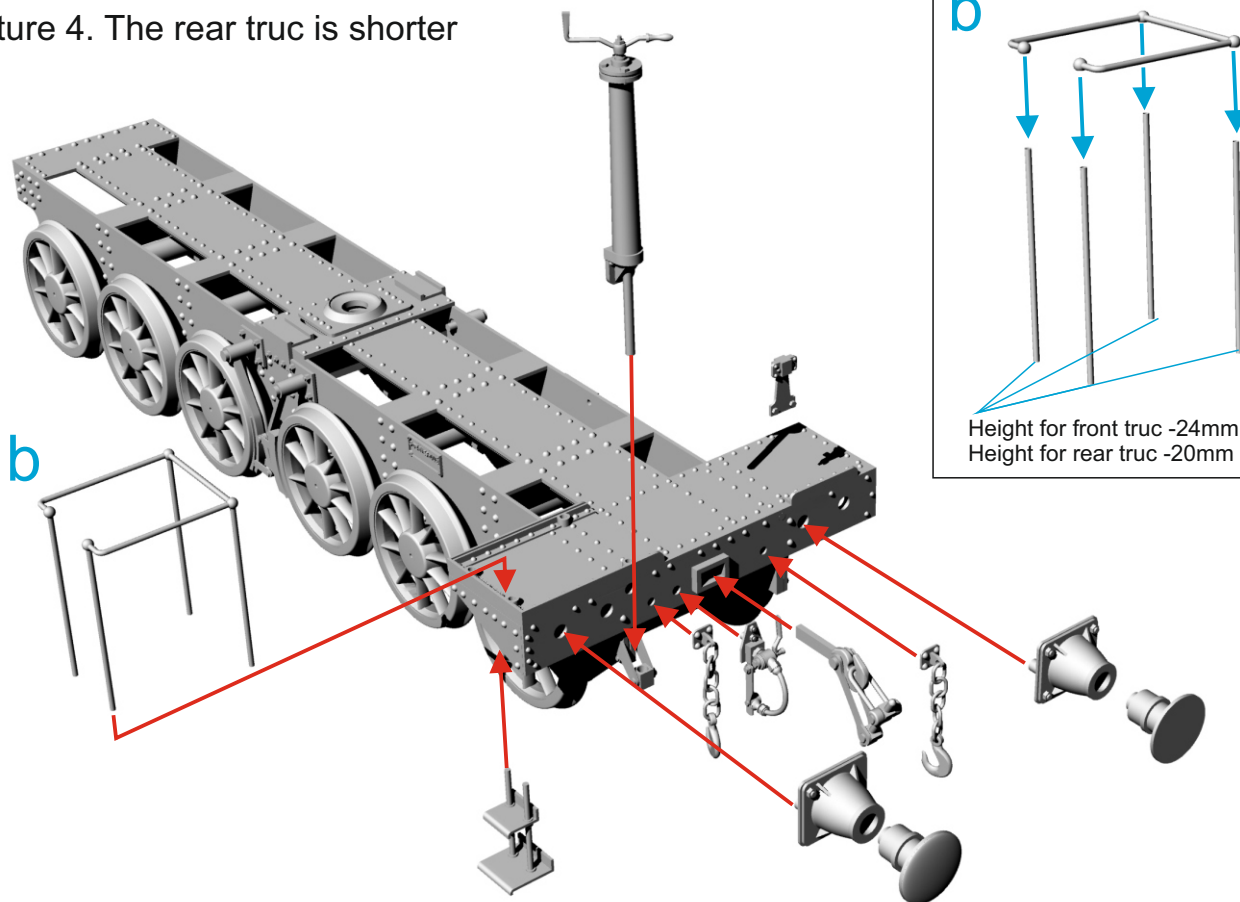


French howitzer 400mm. Mod. 1915, Saint-Chamond

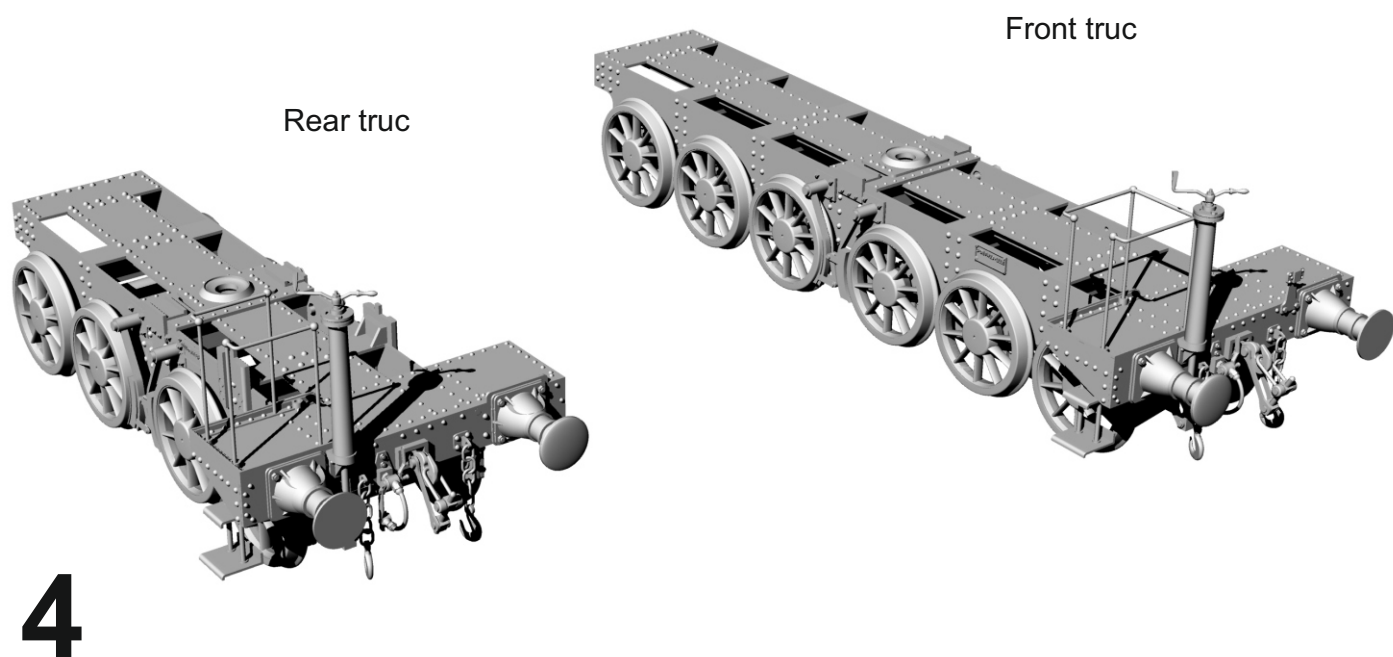
1/35
GM 120

Attention! Some details in the instructions may differ in terms of equipment. These are kits of several individual parts or complex designs with combined parts.

See picture 4. The rear truc is shorter



Finished view of trucs



Optional: Part was not used on all models.



Do not glue



Glue

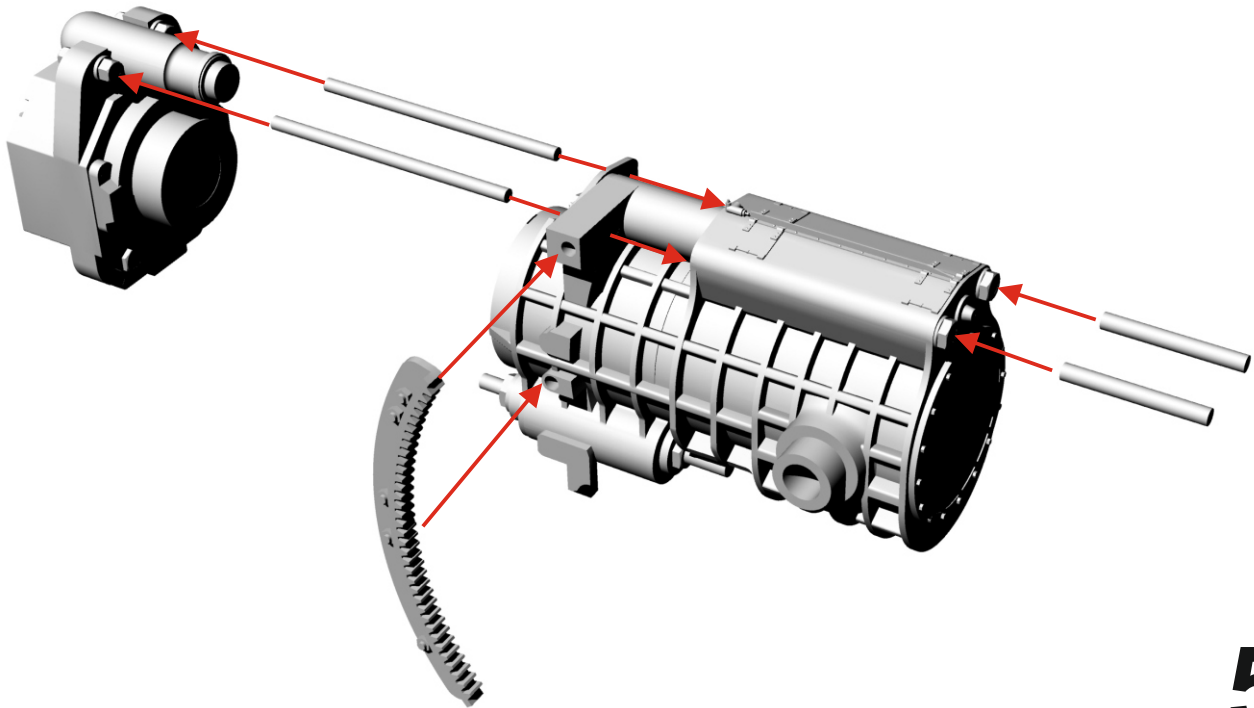
W 0,6mm - wire diameter



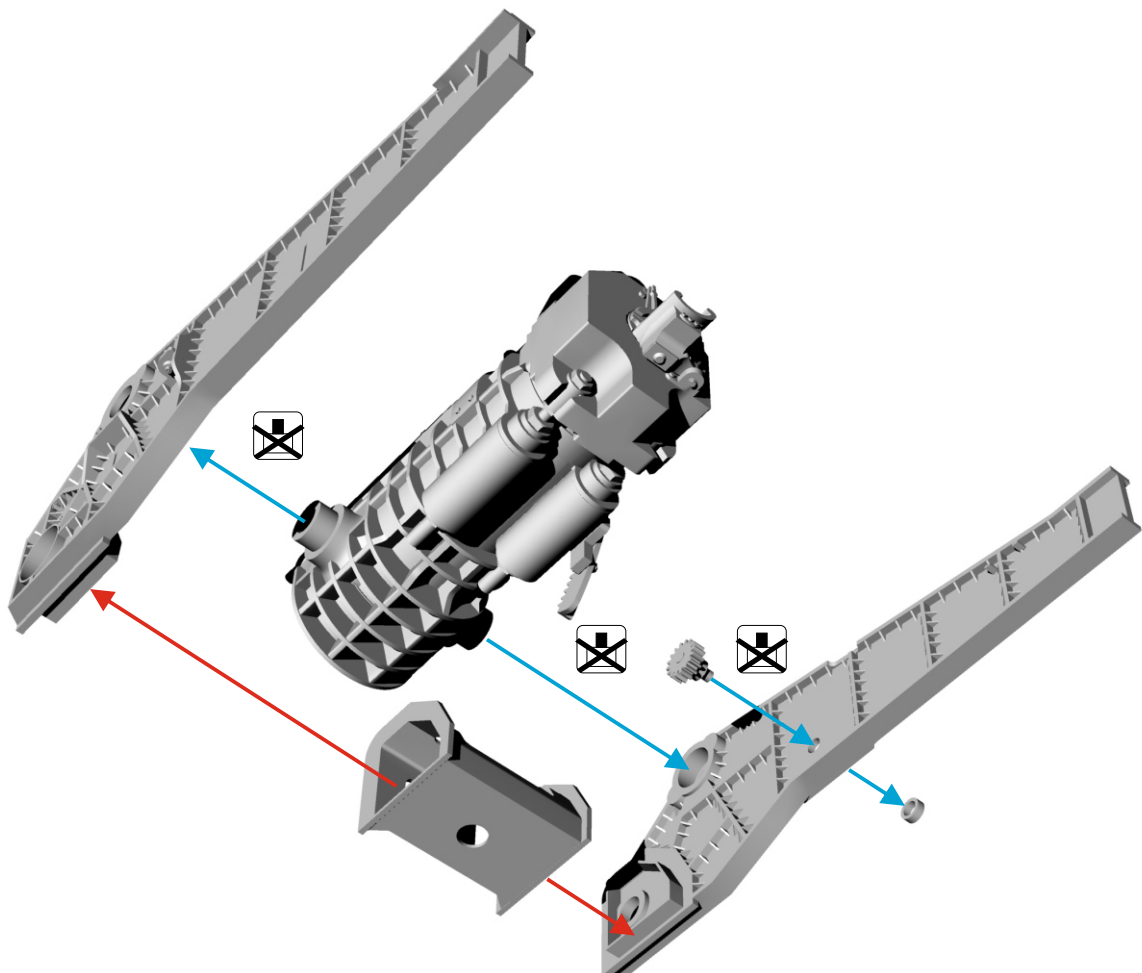
French howitzer 400mm. Mod. 1915, Saint-Chamond

1/35
GM 120

Attention! Some details in the instructions may differ in terms of equipment.
These are kits of several individual parts or complex designs with combined parts.



5



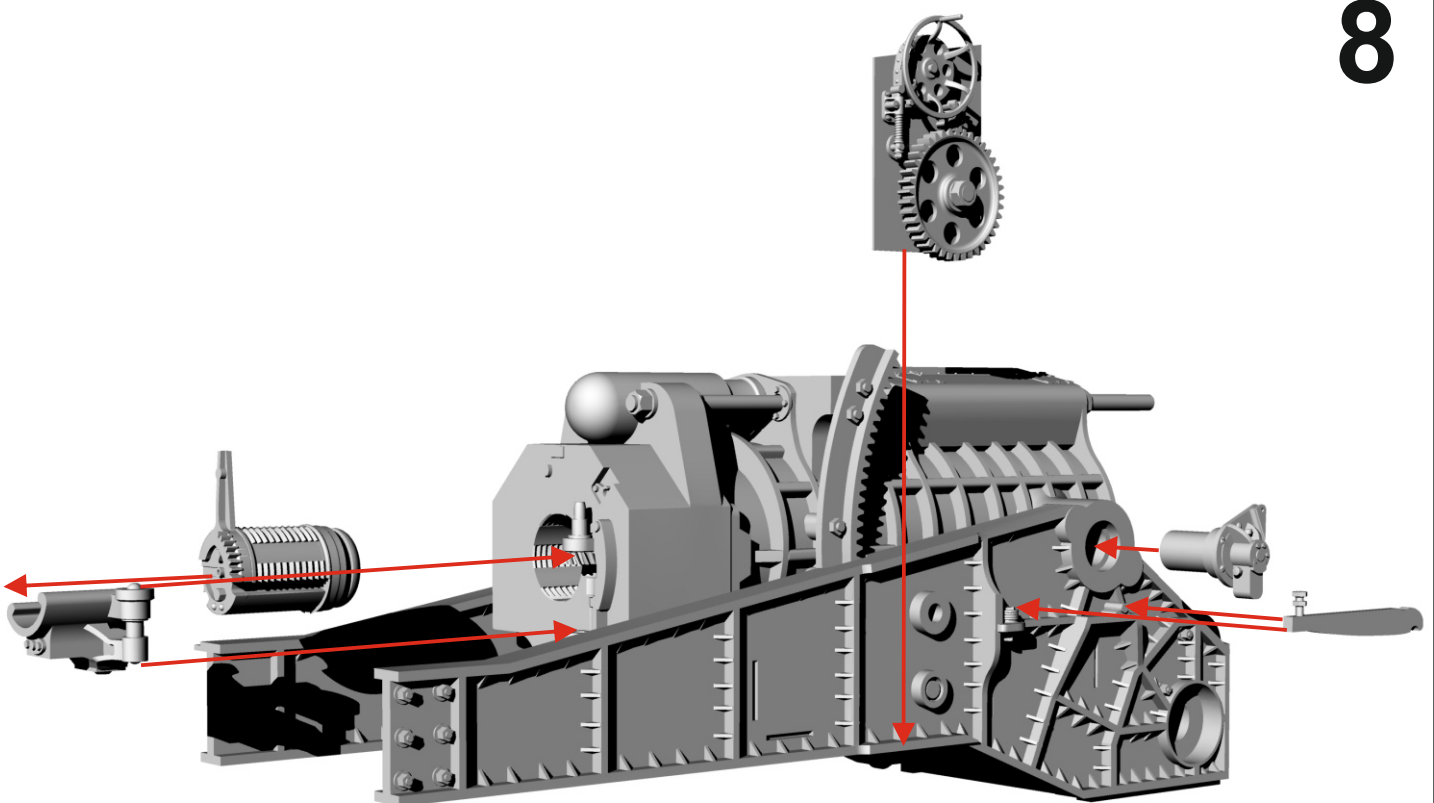
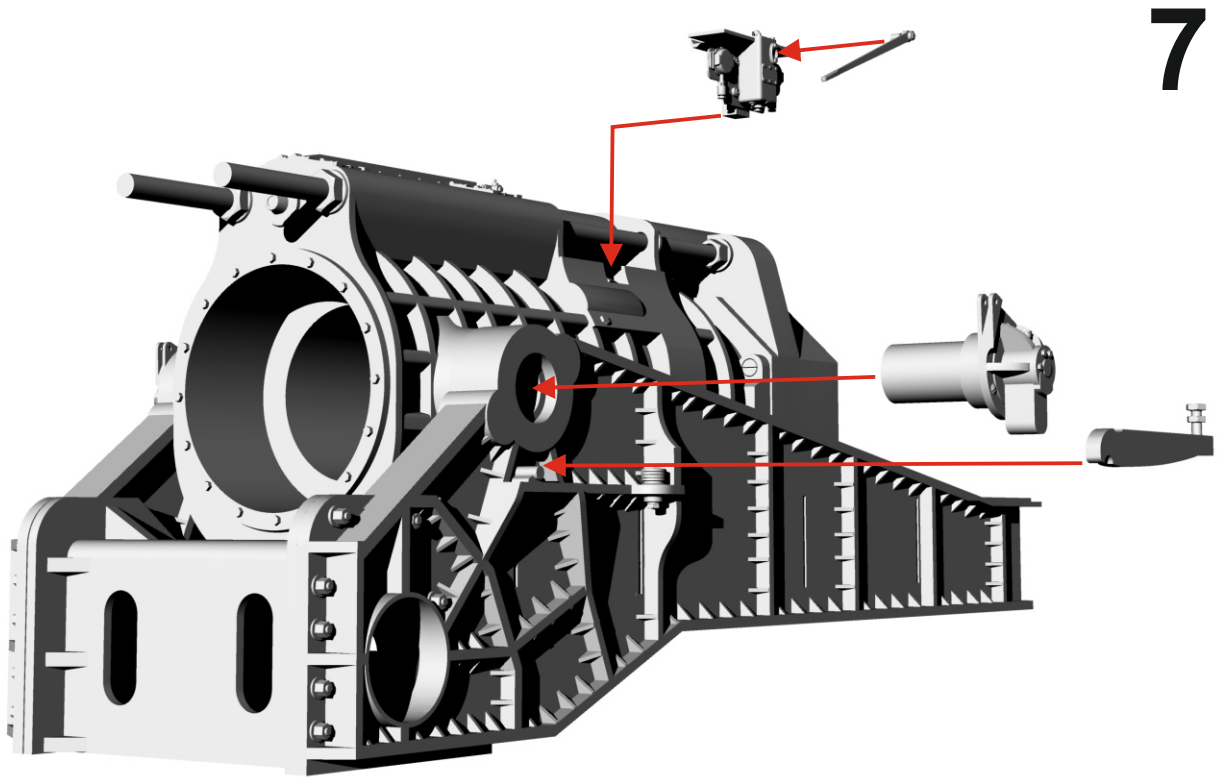
6



French howitzer 400mm. Mod. 1915, Saint-Chamond

1/35
GM 120

Attention! Some details in the instructions may differ in terms of equipment.
These are kits of several individual parts or complex designs with combined parts.

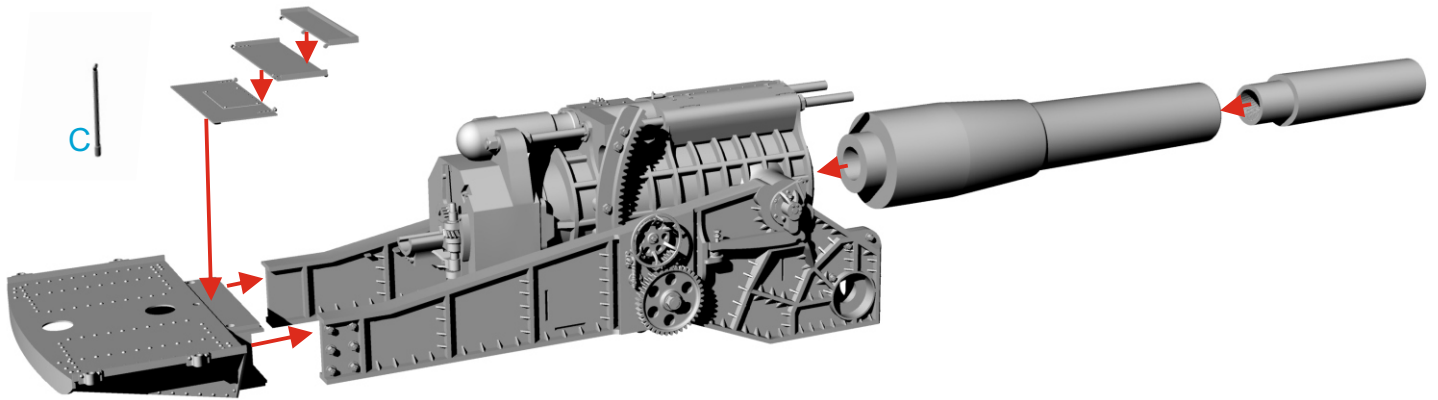




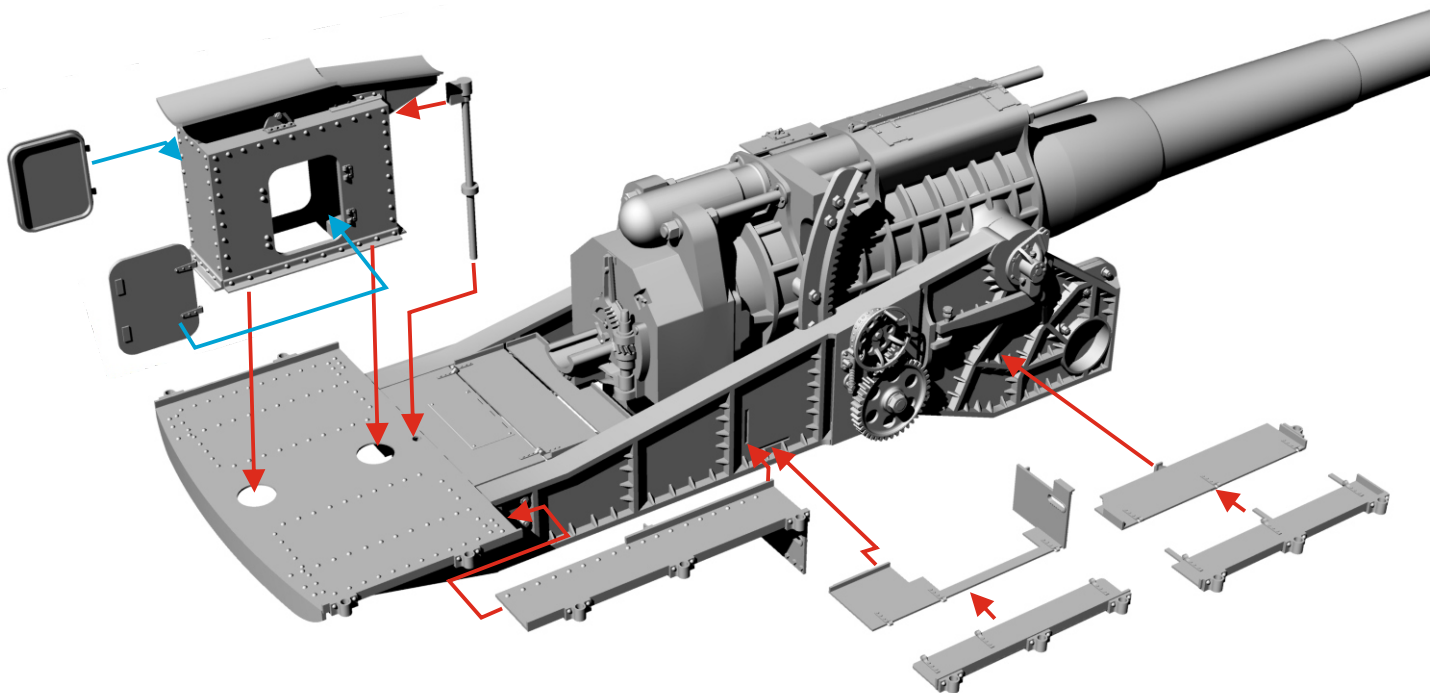
French howitzer 400mm. Mod. 1915, Saint-Chamond

1/35
GM 120

Attention! Some details in the instructions may differ in terms of equipment. These are kits of several individual parts or complex designs with combined parts.



9



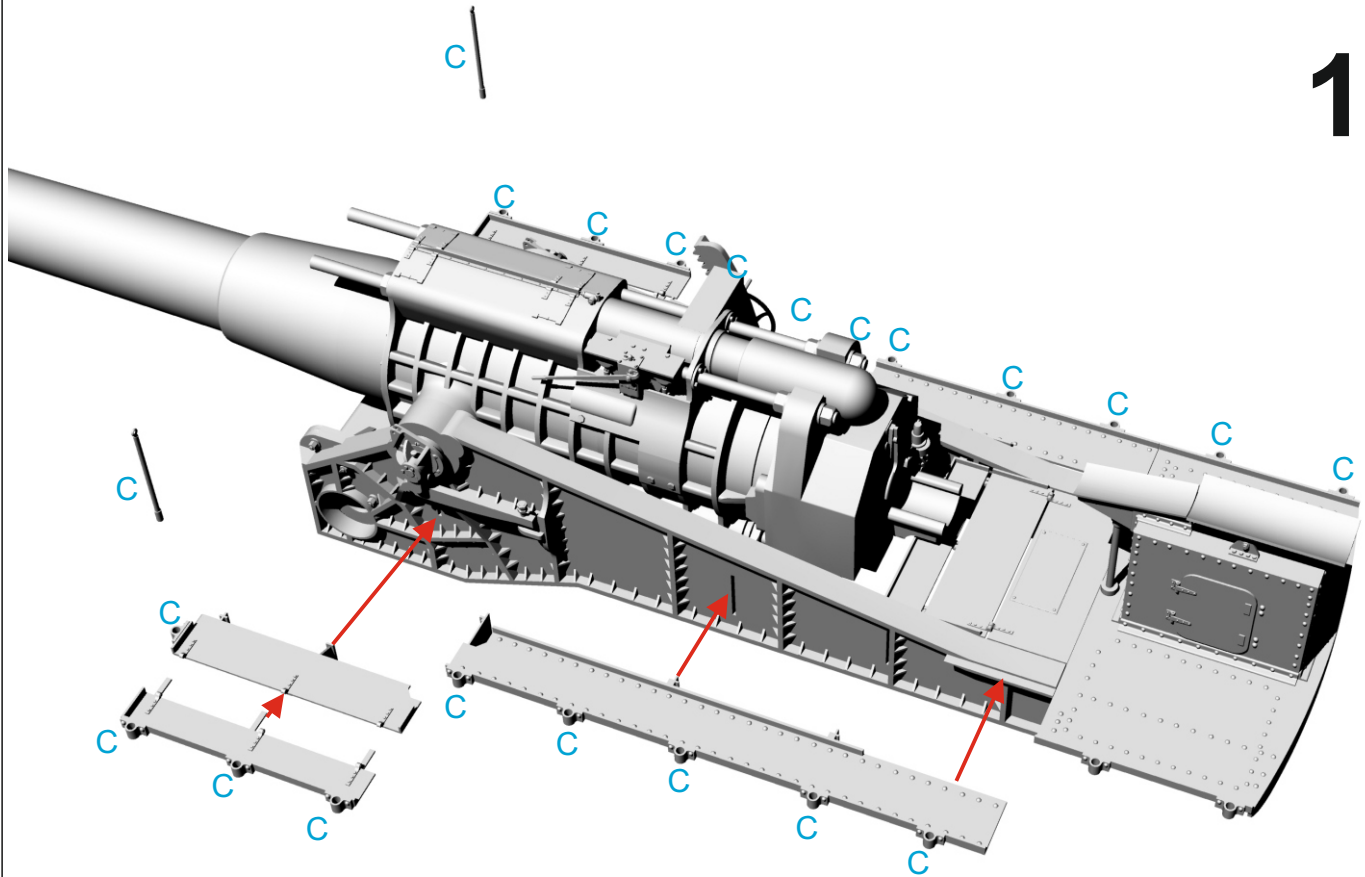
10



French howitzer 400mm. Mod. 1915, Saint-Chamond

1/35
GM 120

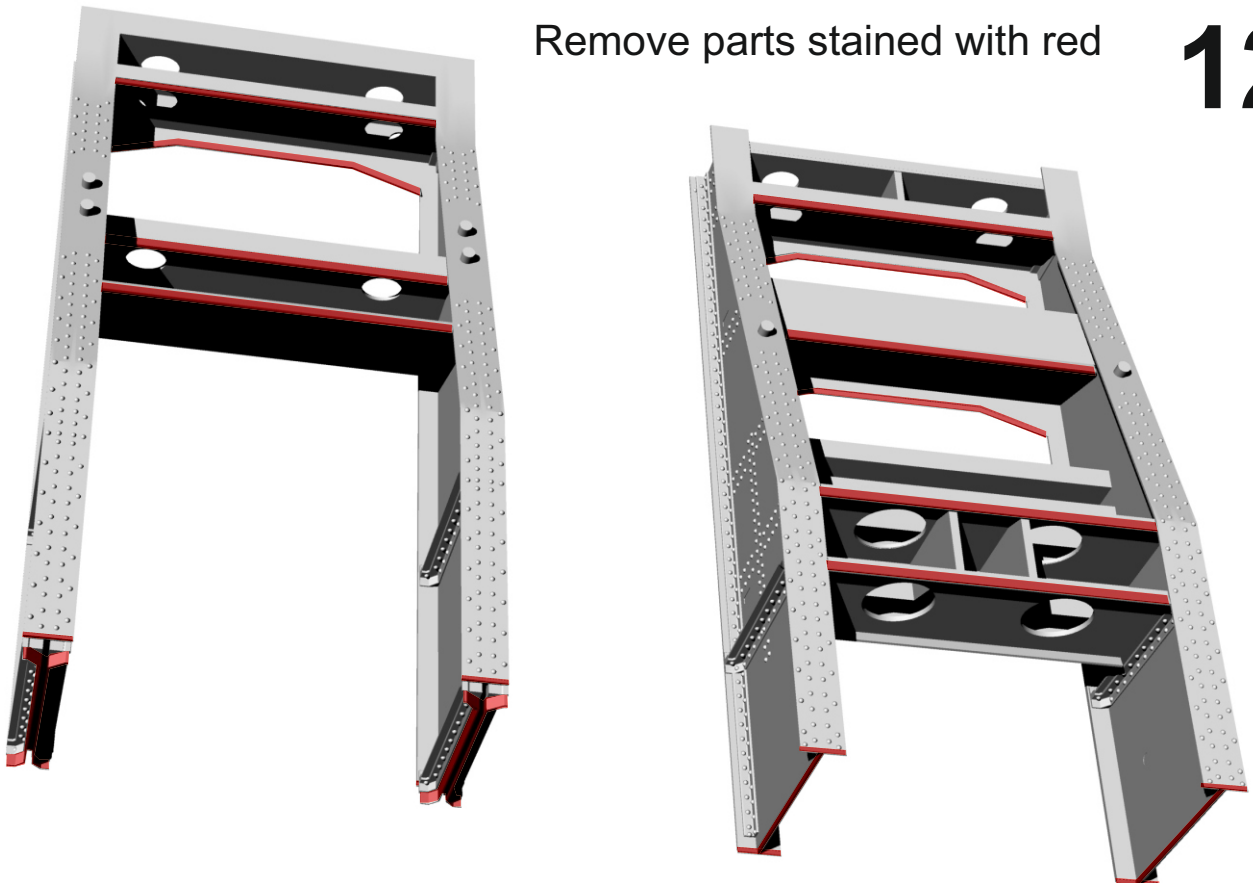
Attention! Some details in the instructions may differ in terms of equipment. These are kits of several individual parts or complex designs with combined parts.



11

Remove parts stained with red

12



Optional: Part was not used on all models.



Do not glue



Glue

W 0,6mm - wire diameter

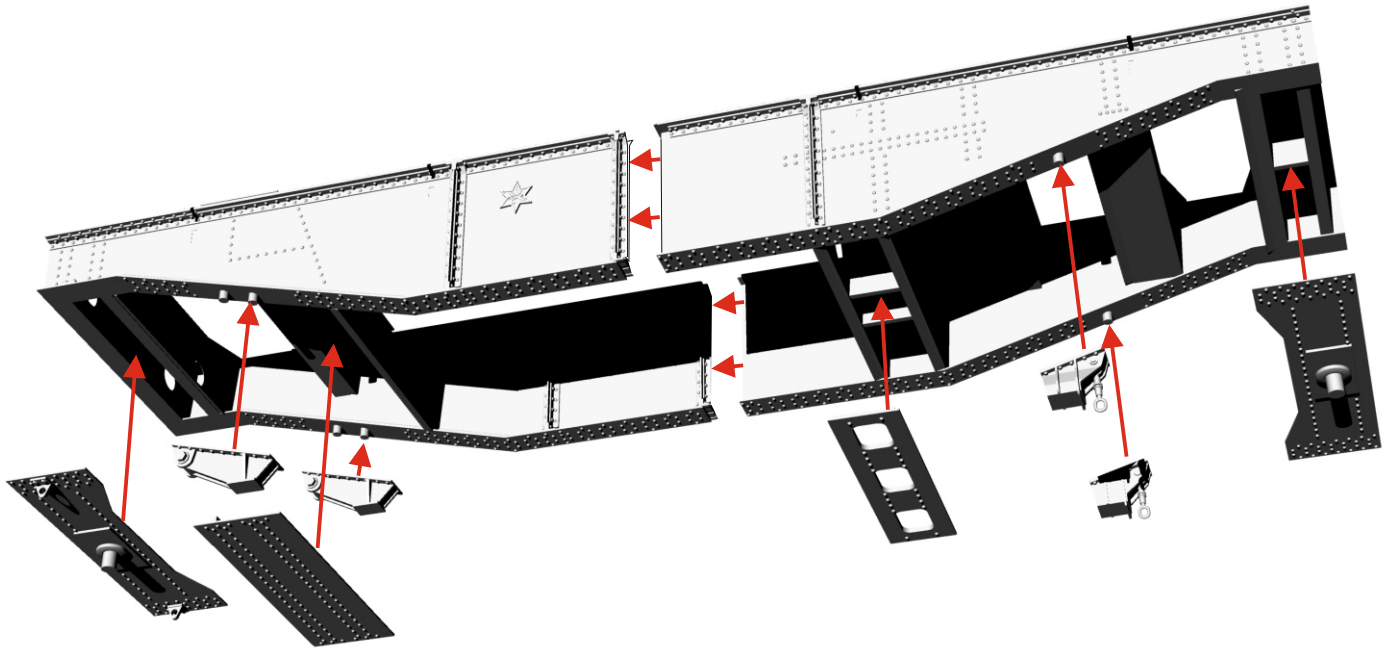


French howitzer 400mm. Mod. 1915, Saint-Chamond

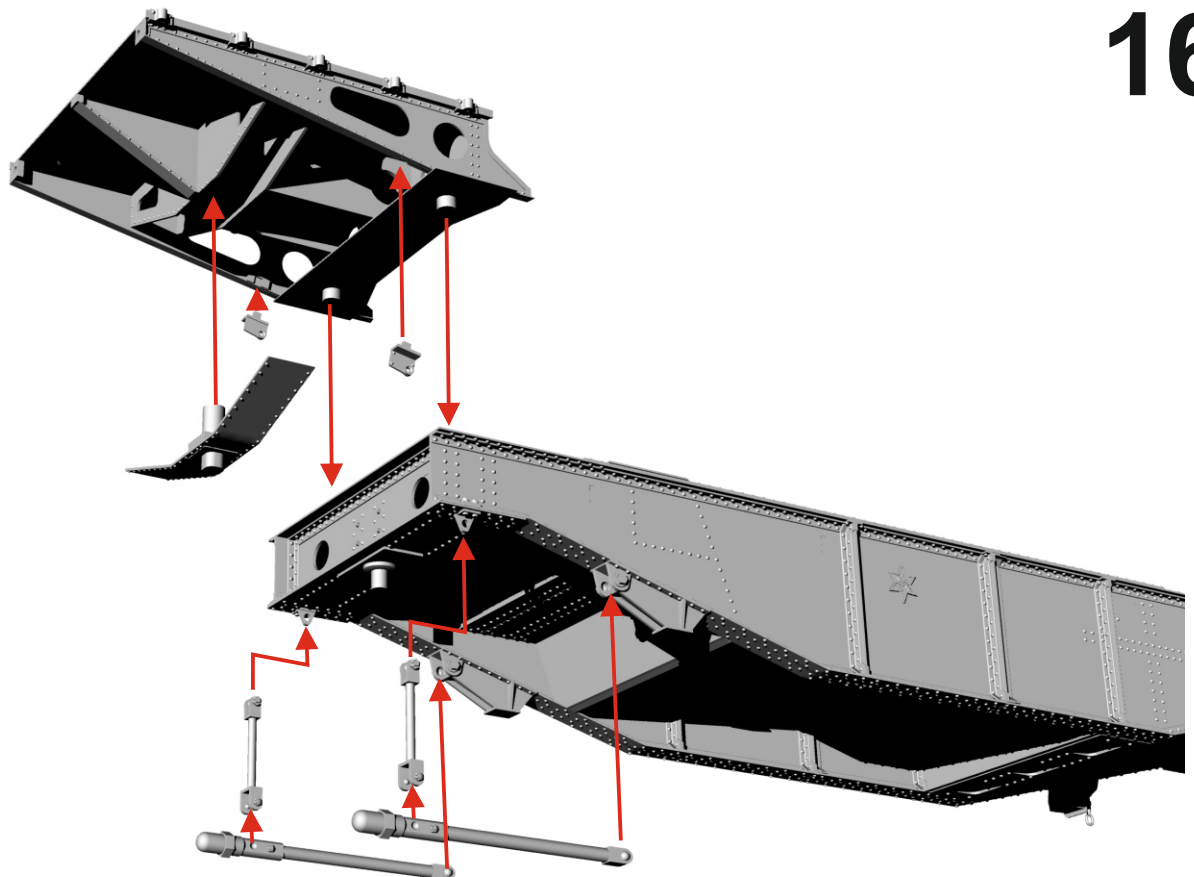
1/35
GM 120

Attention! Some details in the instructions may differ in terms of equipment.
These are kits of several individual parts or complex designs with combined parts.

15



16



Optional: Part was not used on all models.



Do not glue



Glue

W 0,6mm - wire diameter

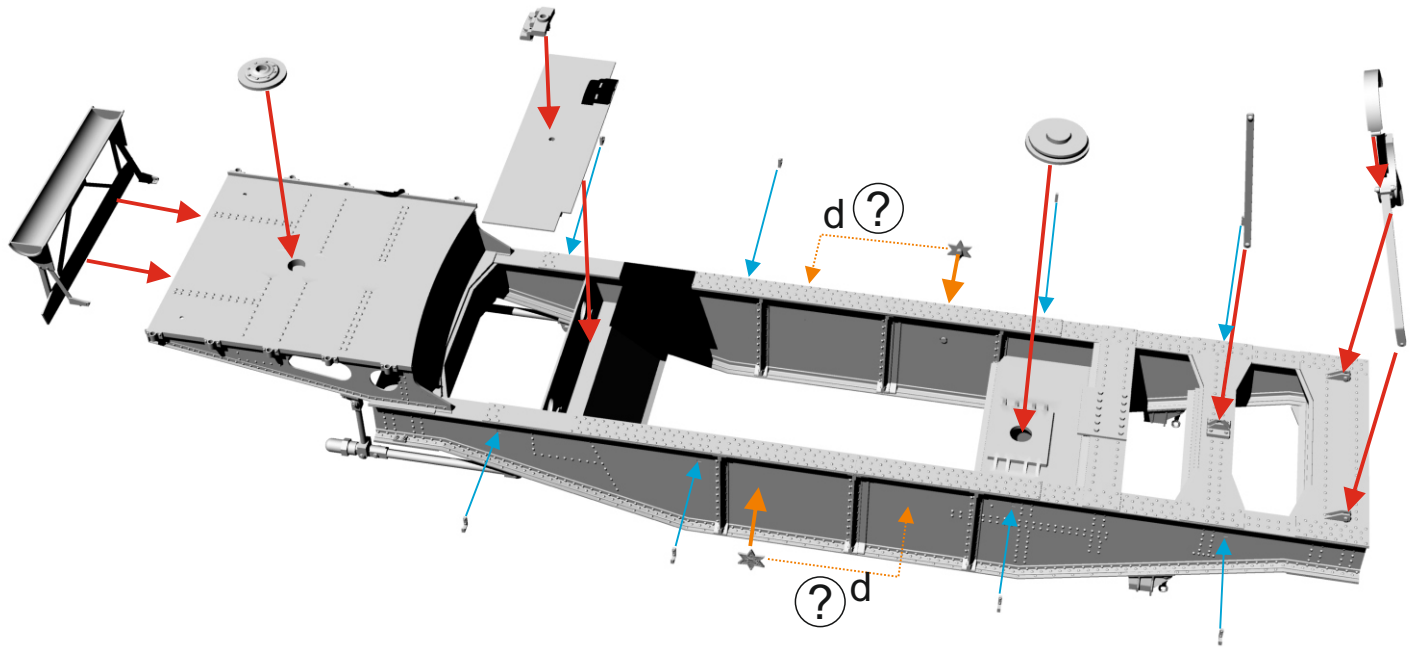


French howitzer 400mm. Mod. 1915, Saint-Chamond

1/35
GM 120

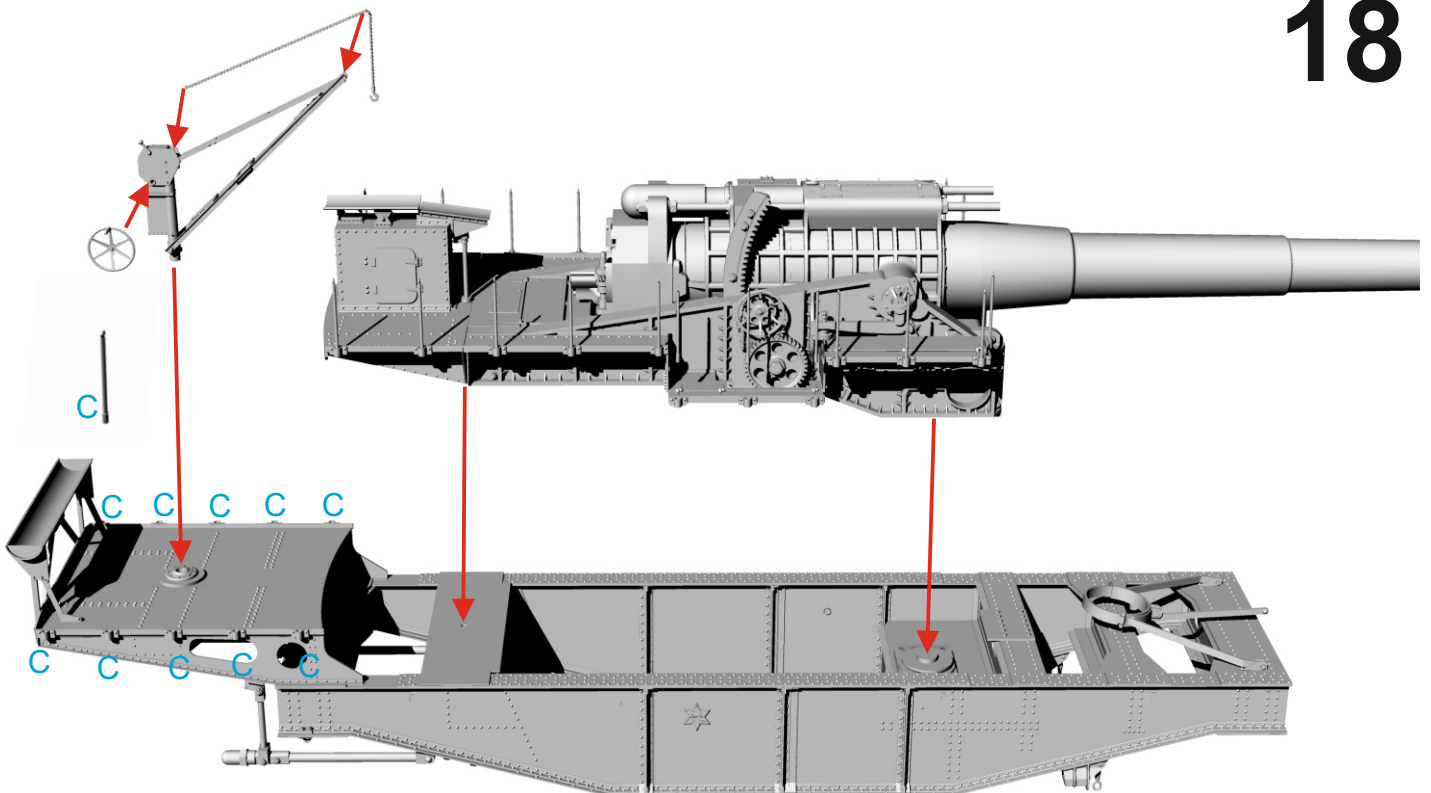
Attention! Some details in the instructions may differ in terms of equipment. These are kits of several individual parts or complex designs with combined parts.

17



d (?) Look at the photos of the prototypes. There were different locations. Basically, it concerns the WWII period.

18



(?) Optional: Part was not used on all models.  Do not glue  Glue W 0,6mm - wire diameter

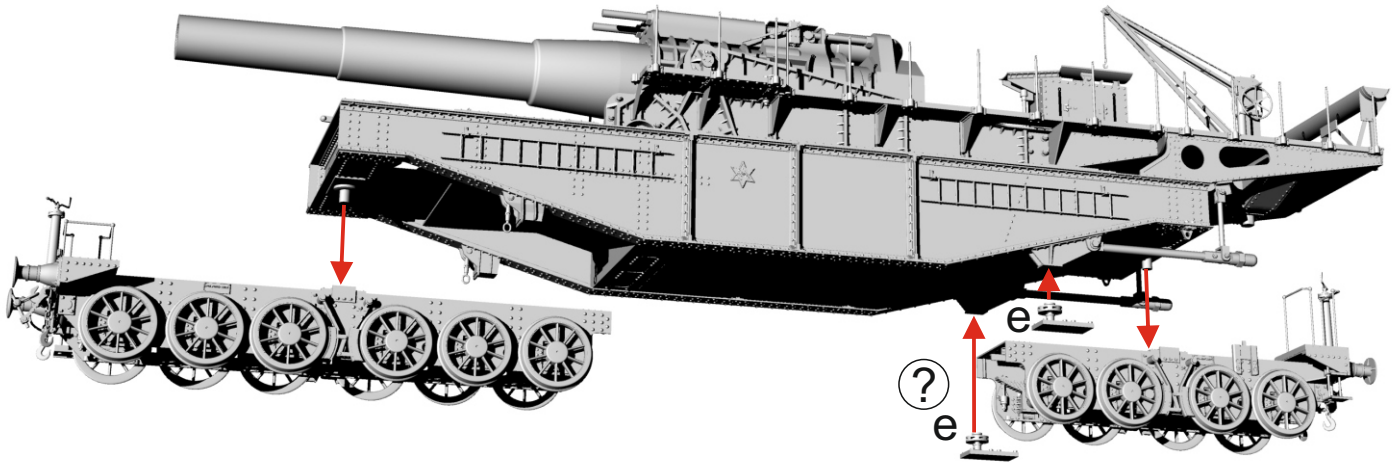


French howitzer 400mm. Mod. 1915, Saint-Chamond

1/35
GM 120

Attention! Some details in the instructions may differ in terms of equipment. These are kits of several individual parts or complex designs with combined parts.

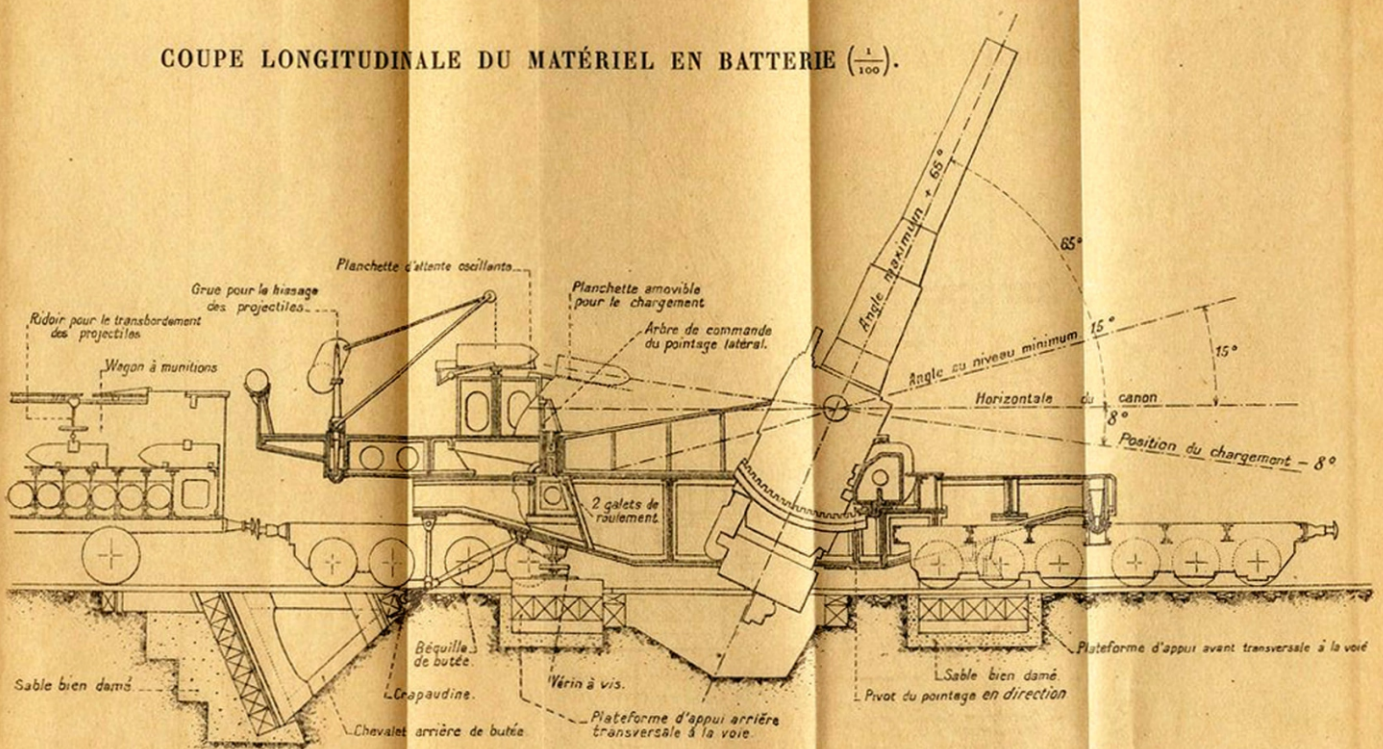
19



Ⓚ e - jacks for shooting installation

Pl. II.

COUPE LONGITUDINALE DU MATÉRIEL EN BATTERIE (1/100).



Optional: Part was not used on all models.



Do not glue

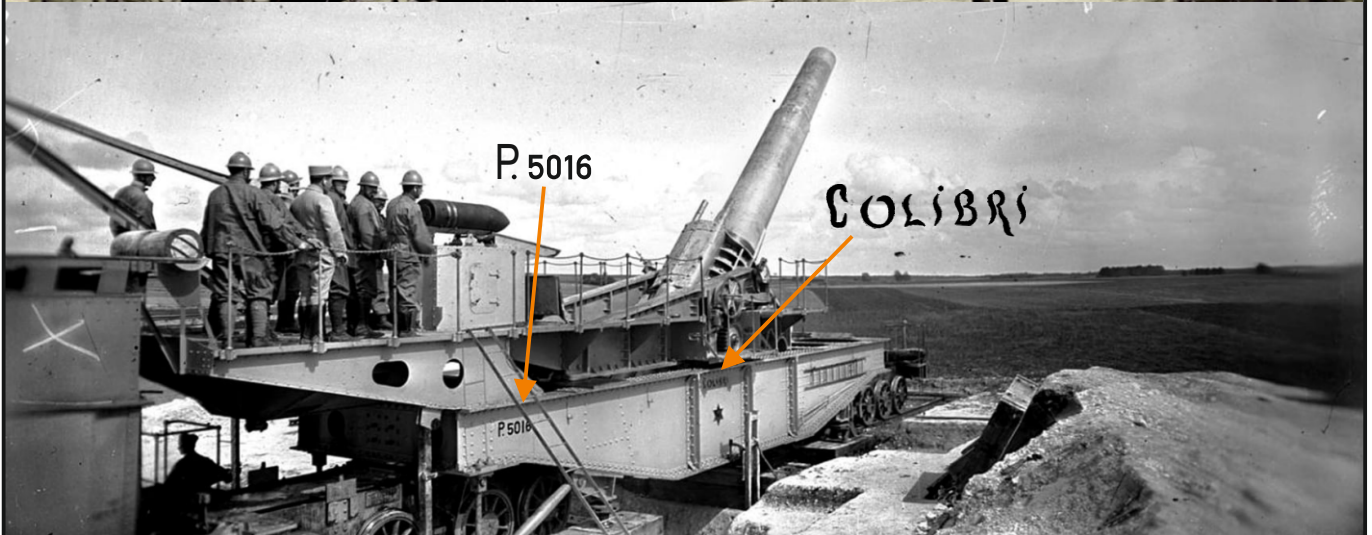
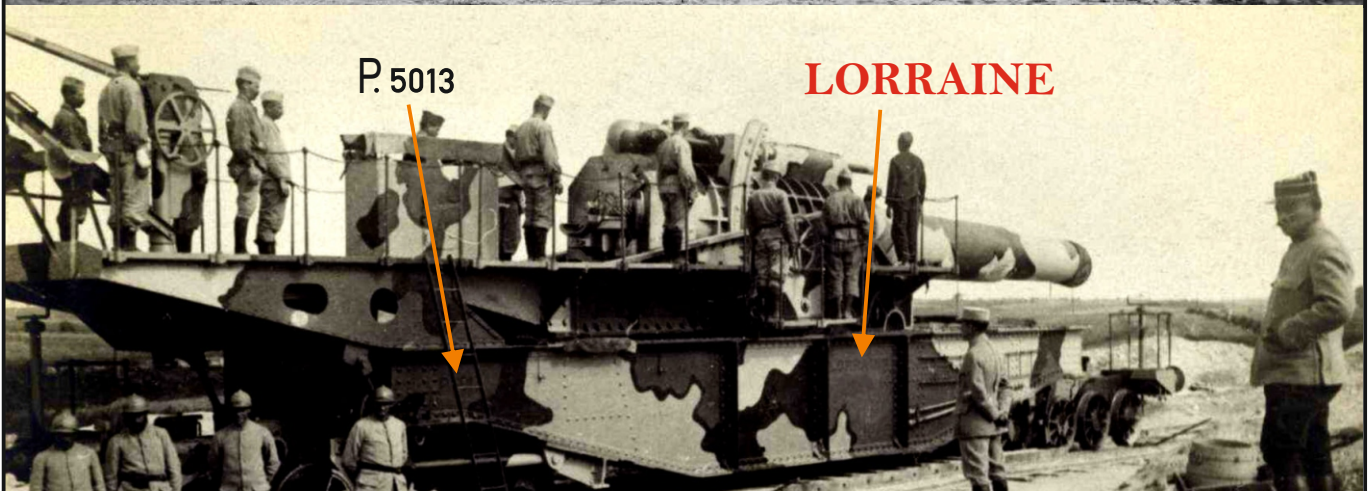
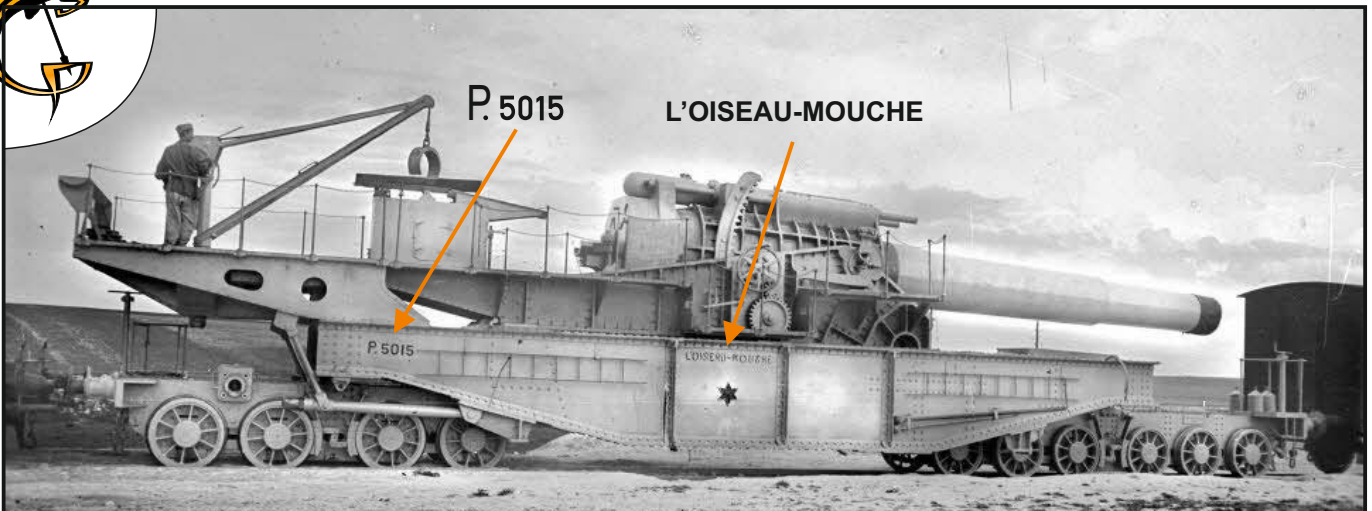


Glue

W 0,6mm - wire diameter

French howitzer 400mm. Mod. 1915, Saint-Chamond

1/35
GM 120



French howitzer 400mm. Mod. 1915,
Saint-Chamond

1/35

ARRETER OUVERTURE
FERMETURE COULASSE

①

ARRETER OUVERTURE
FERMETURE COULASSE

② P. 5013 **LORRAINE**
P. 5013 **LORRAINE**

③ P. 5015 L'OISEAU-MOUCHE
P. 5015 L'OISEAU-MOUCHE

④ P. 5016 **COLIBRI**
P. 5016 **COLIBRI**



St. George model GM 120

The inscriptions was placed
on all howitzers on both sides

ARRETER OUVERTURE
FERMETURE COULASSE



St. George model

St. George model. Fun club. WWI

stgeorgemodel.com

artmaquette@mail.ru

