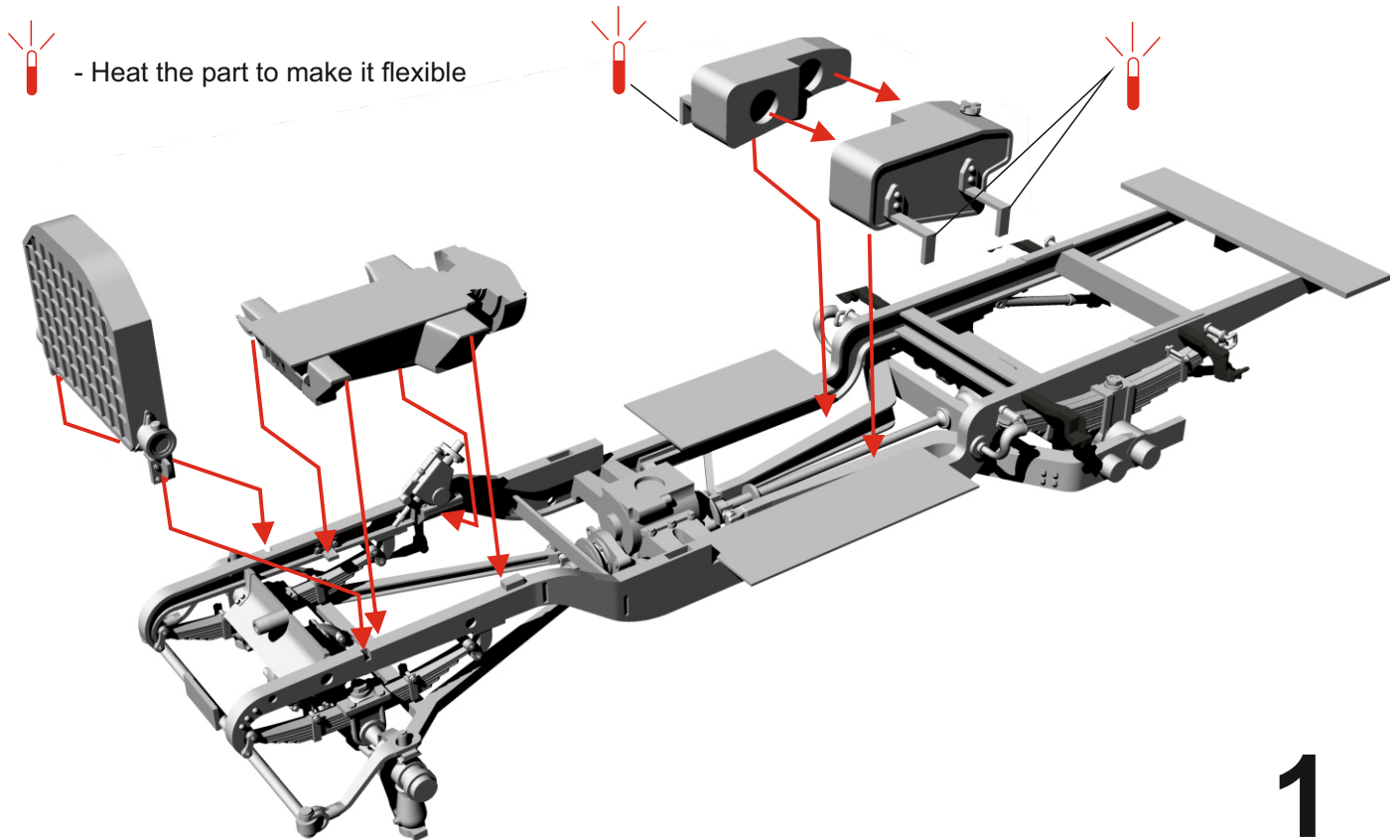
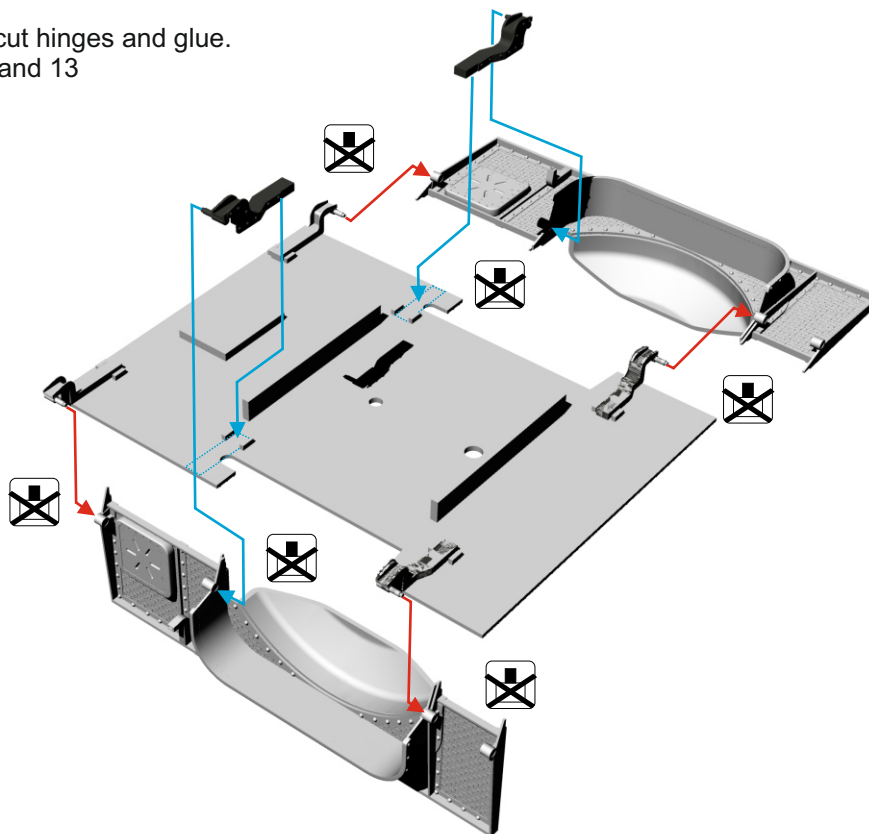




Attention! Some details in the instructions may differ in terms of equipment. These are kits of several individual parts or complex designs with combined parts.

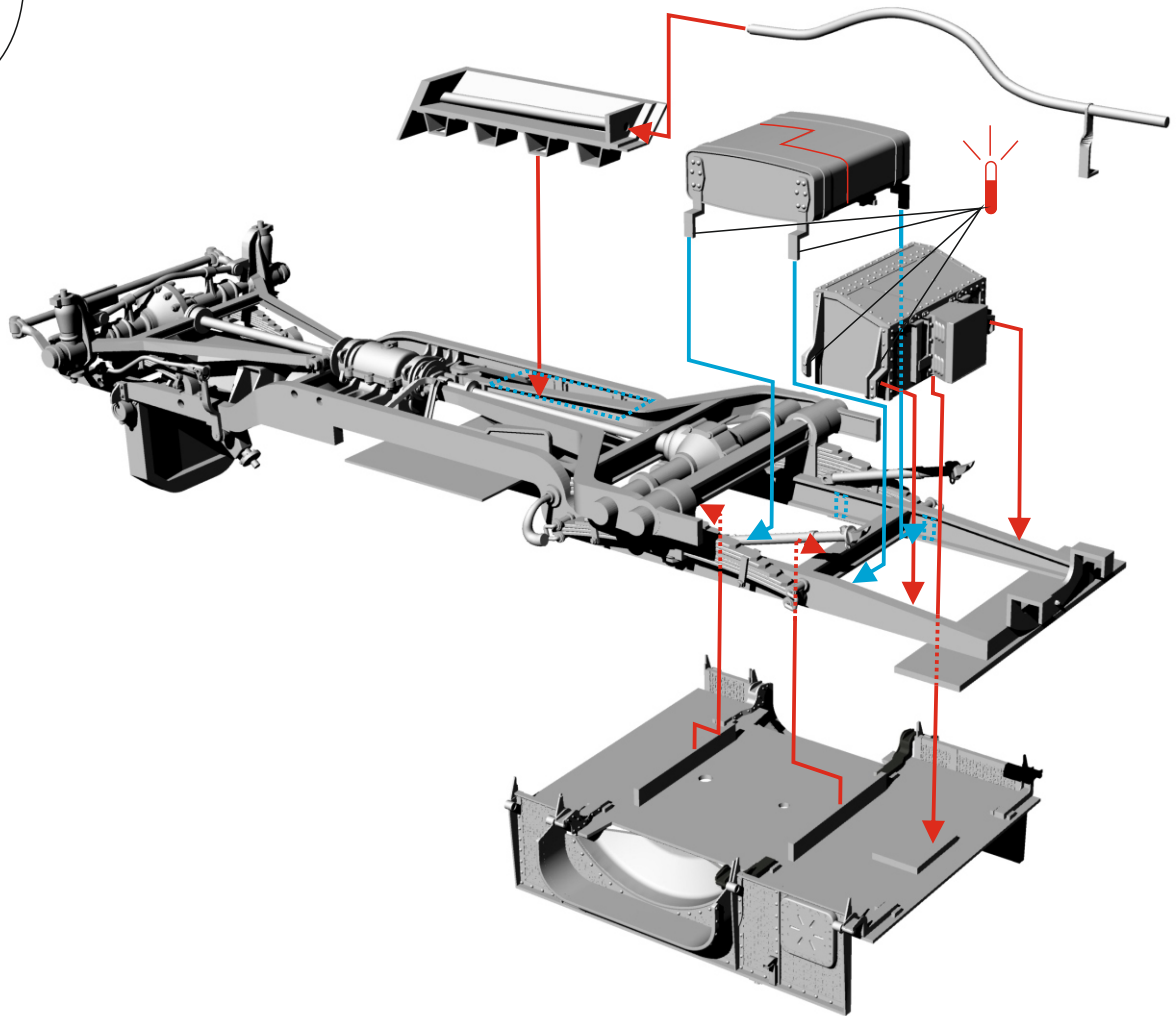


Do not glue. Or cut hinges and glue.  
See pictures.12 and 13



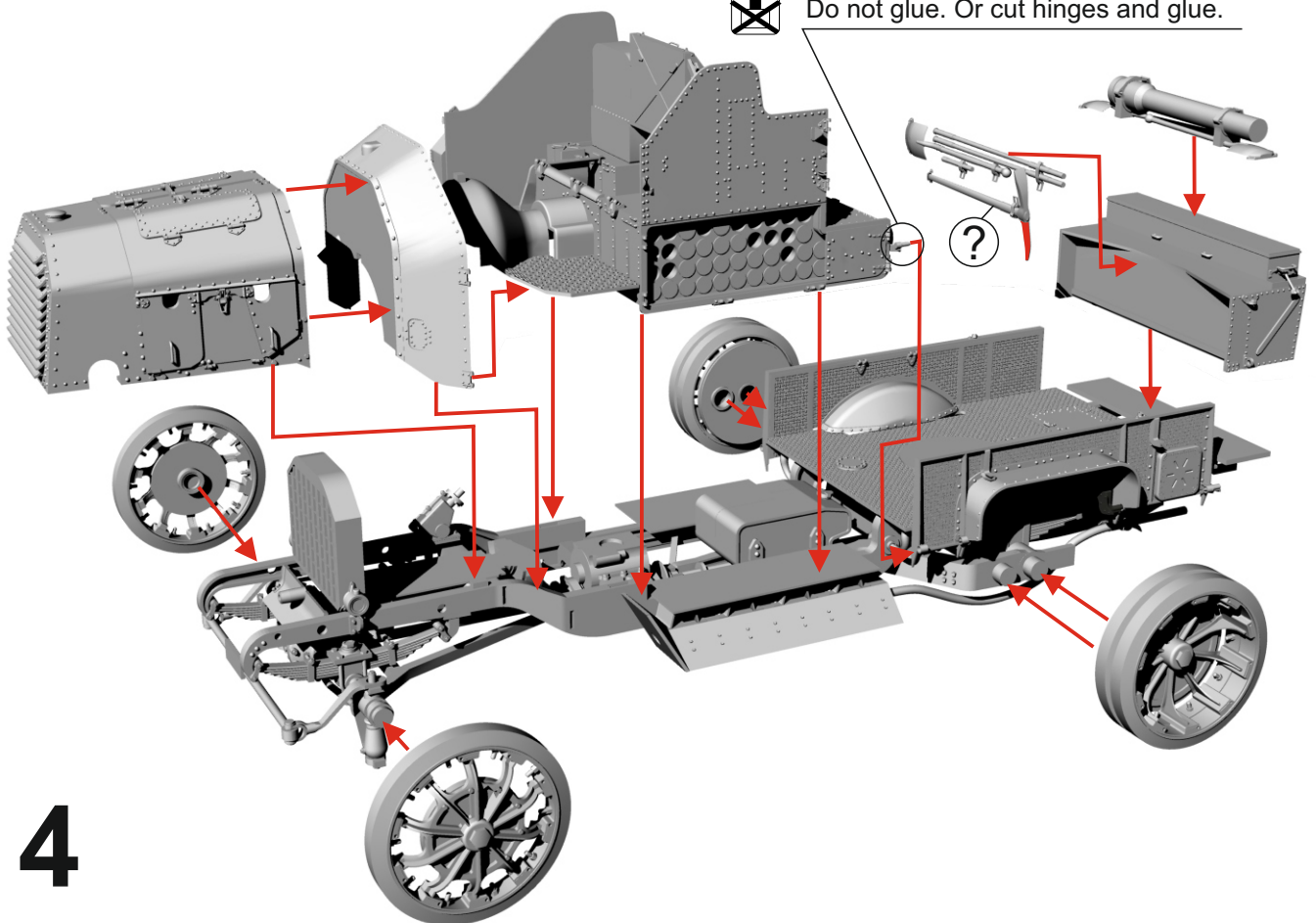


3



Do not glue. Or cut hinges and glue.

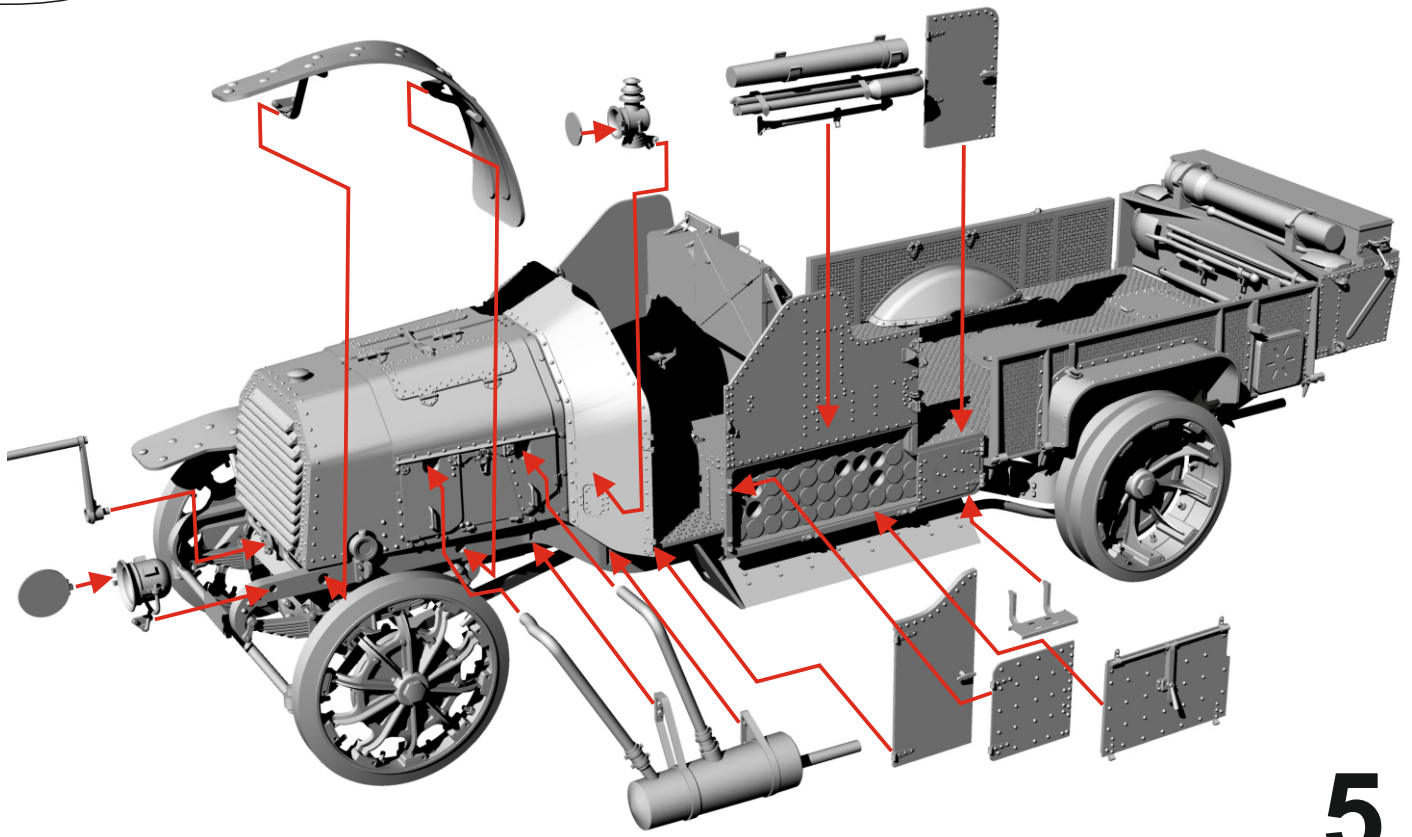
4



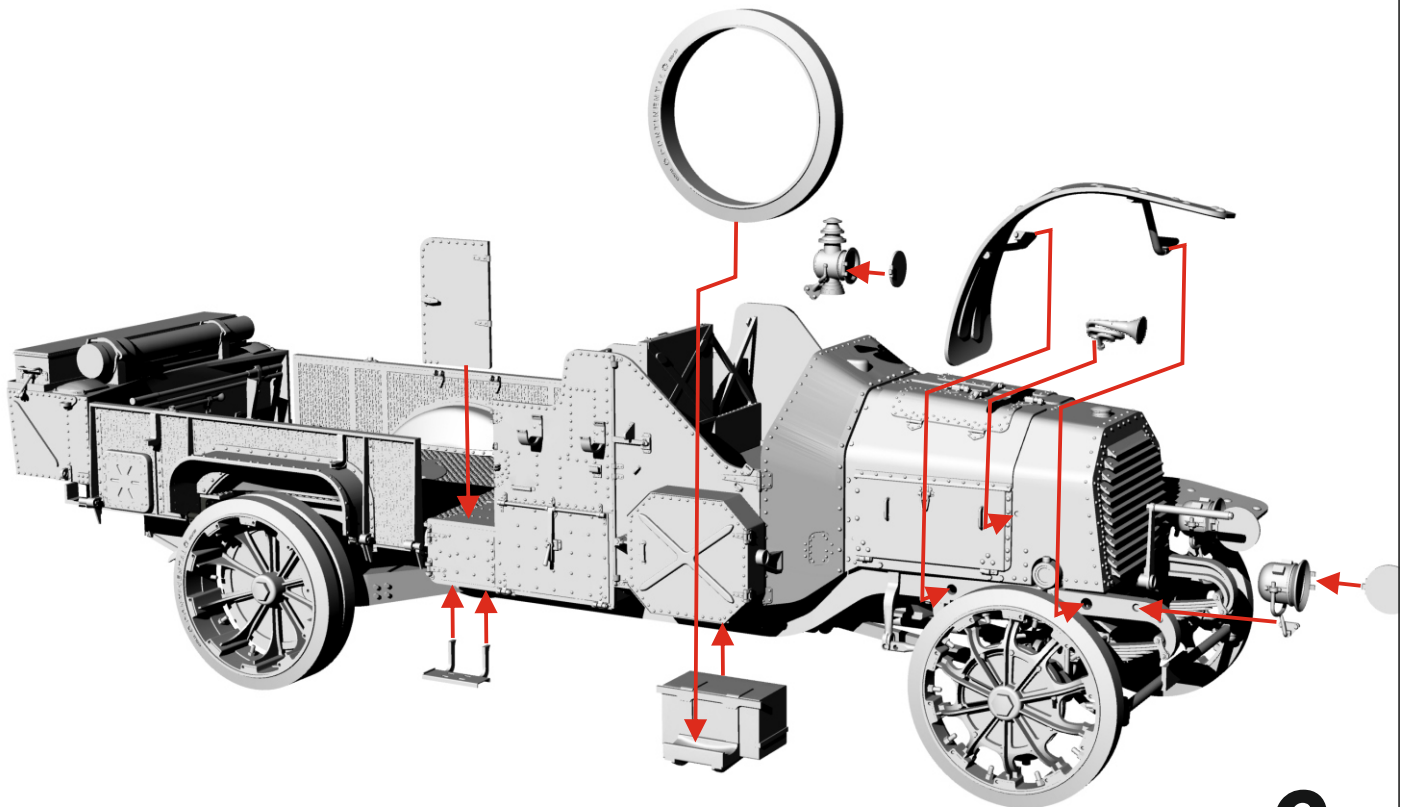


*German K.-Flak 7,7cm L/27  
Rheinmetall - Daimler*

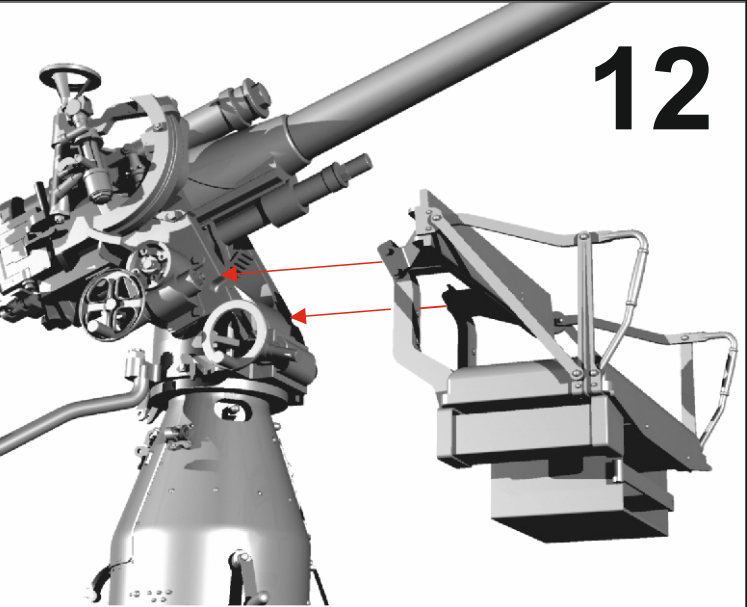
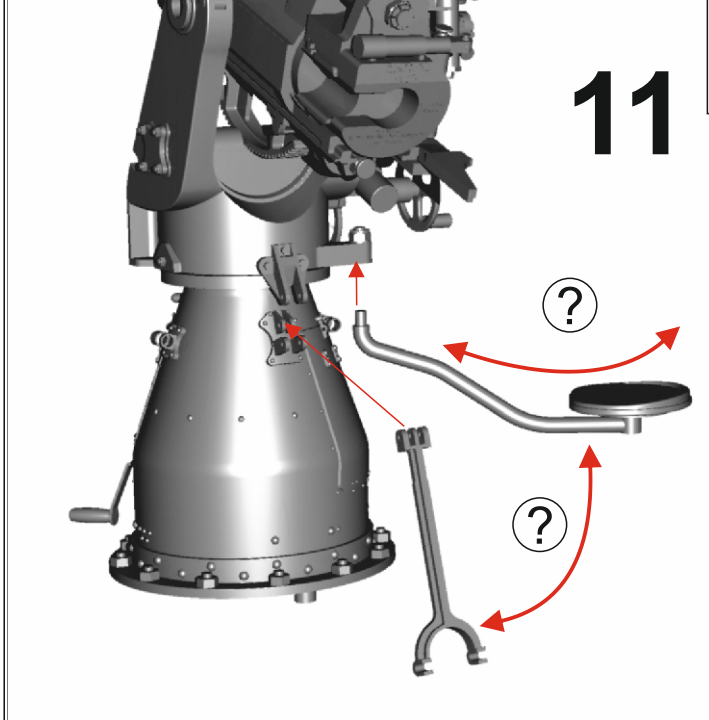
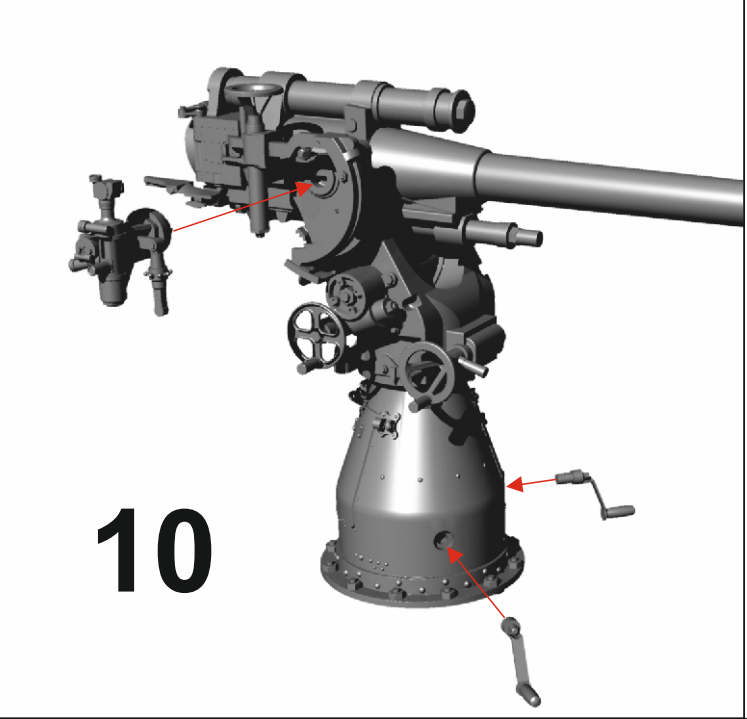
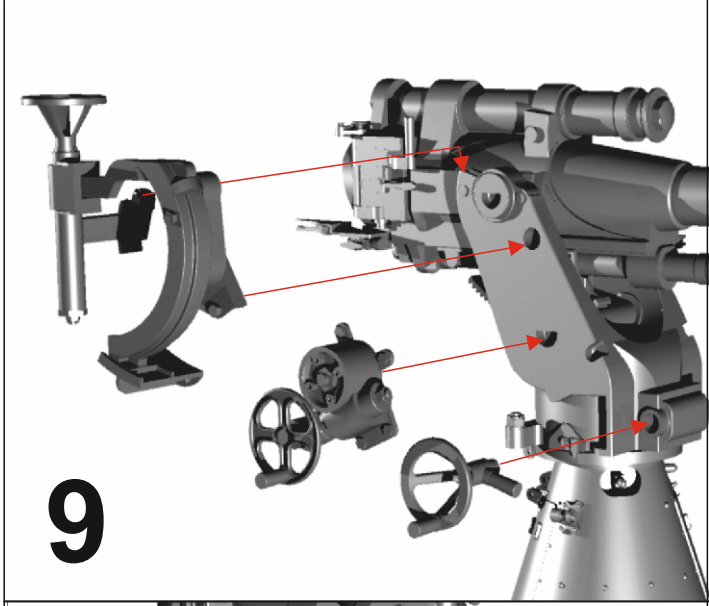
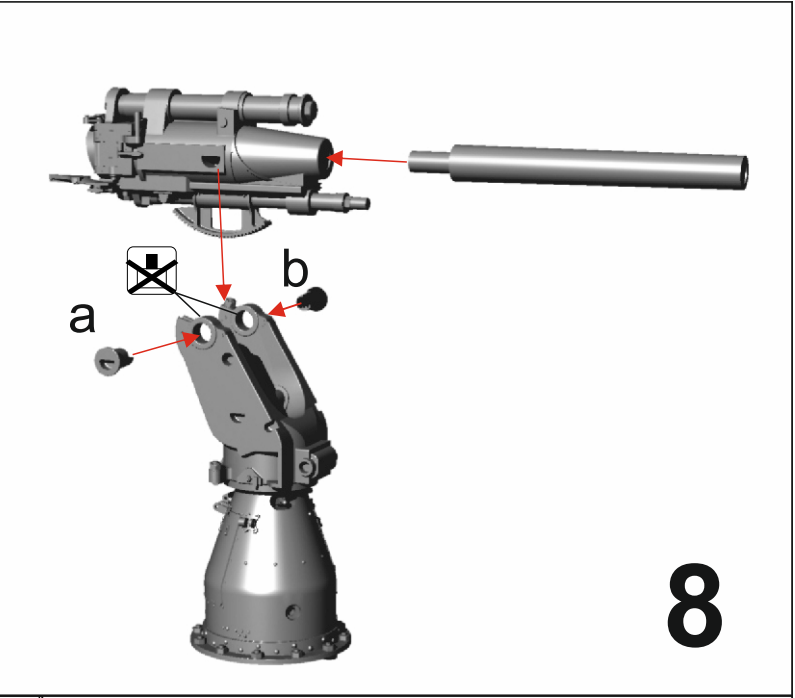
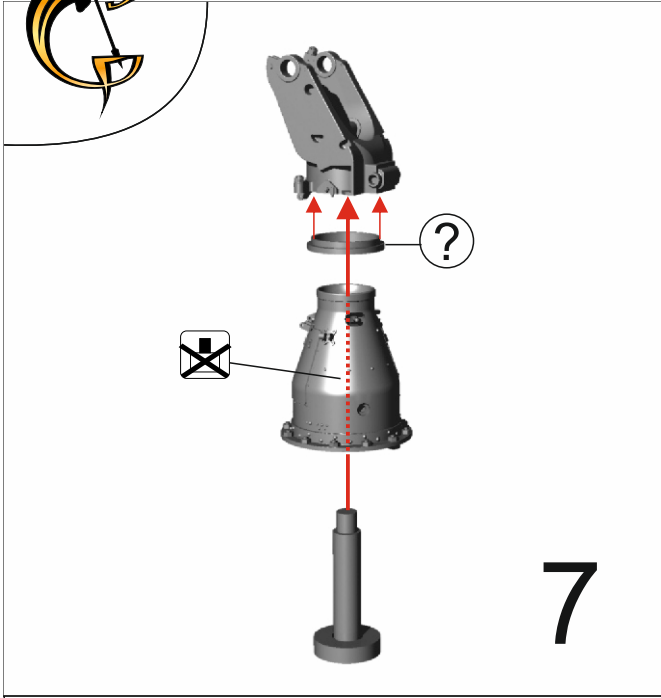
*GM123 1/35*



**5**



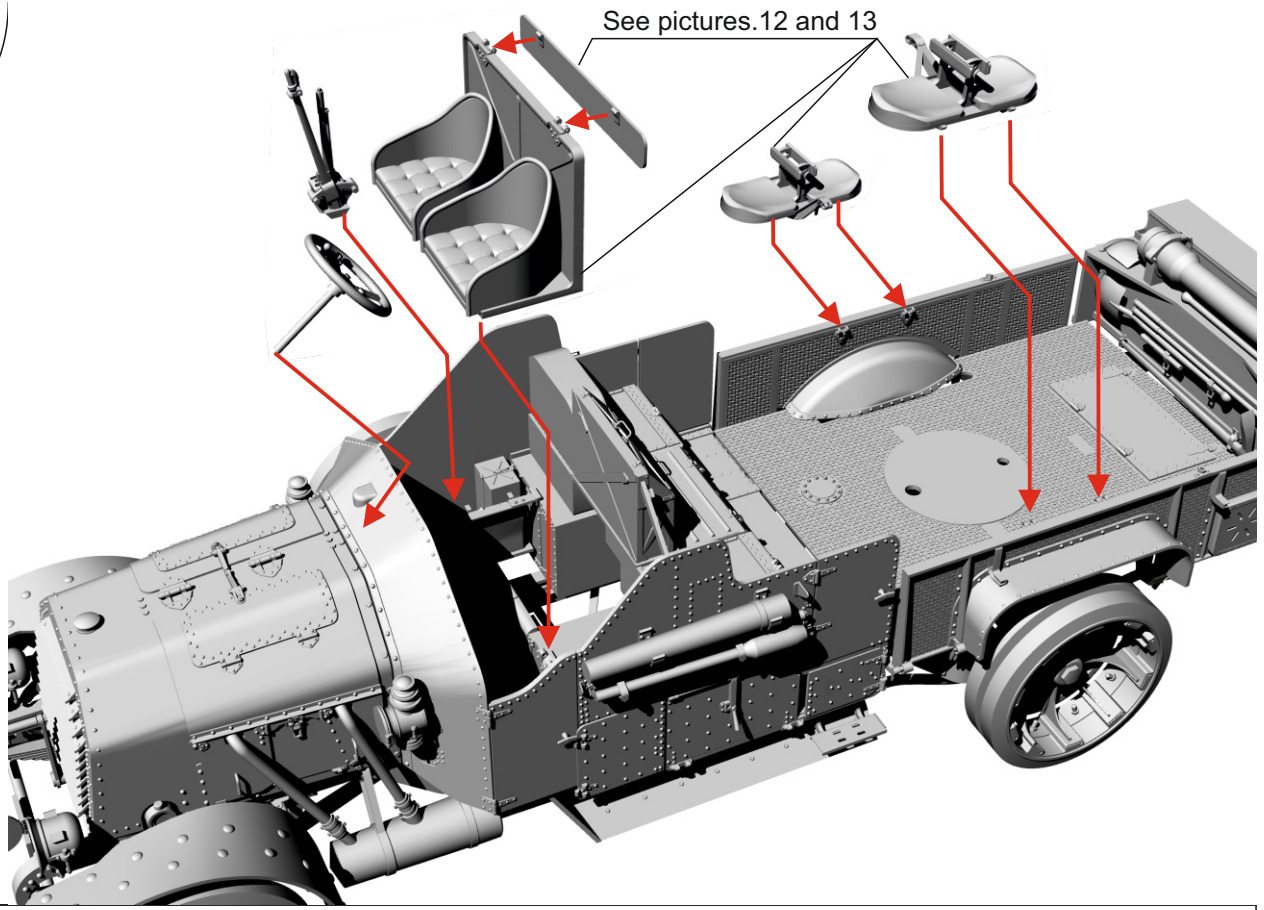
**6**



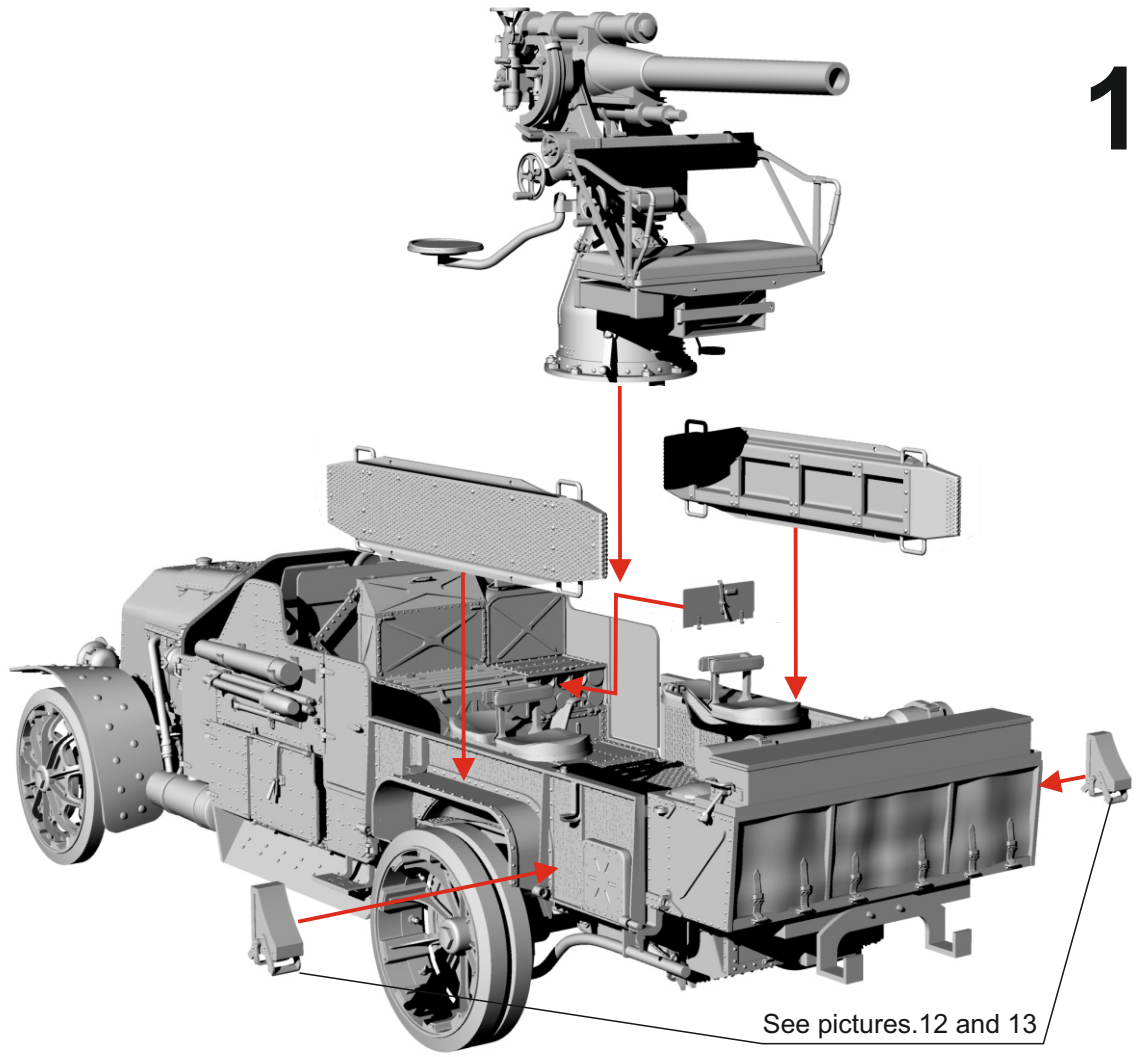




**13**

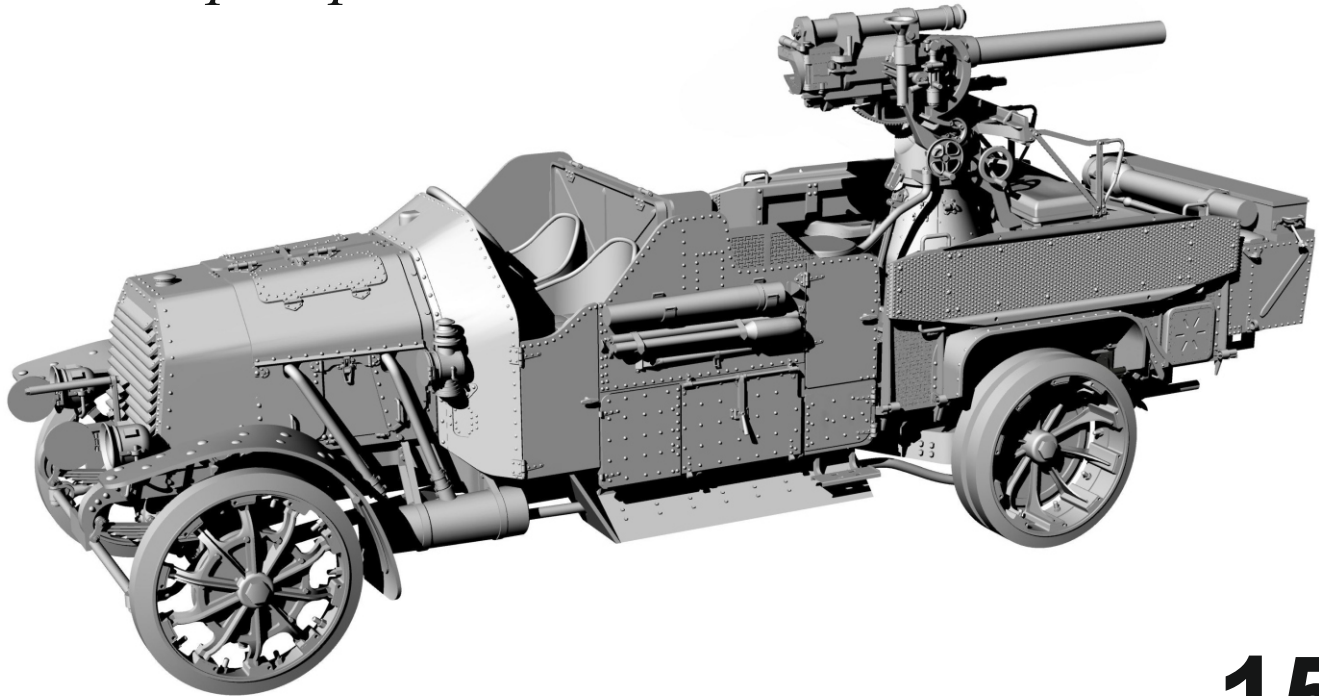


**14**



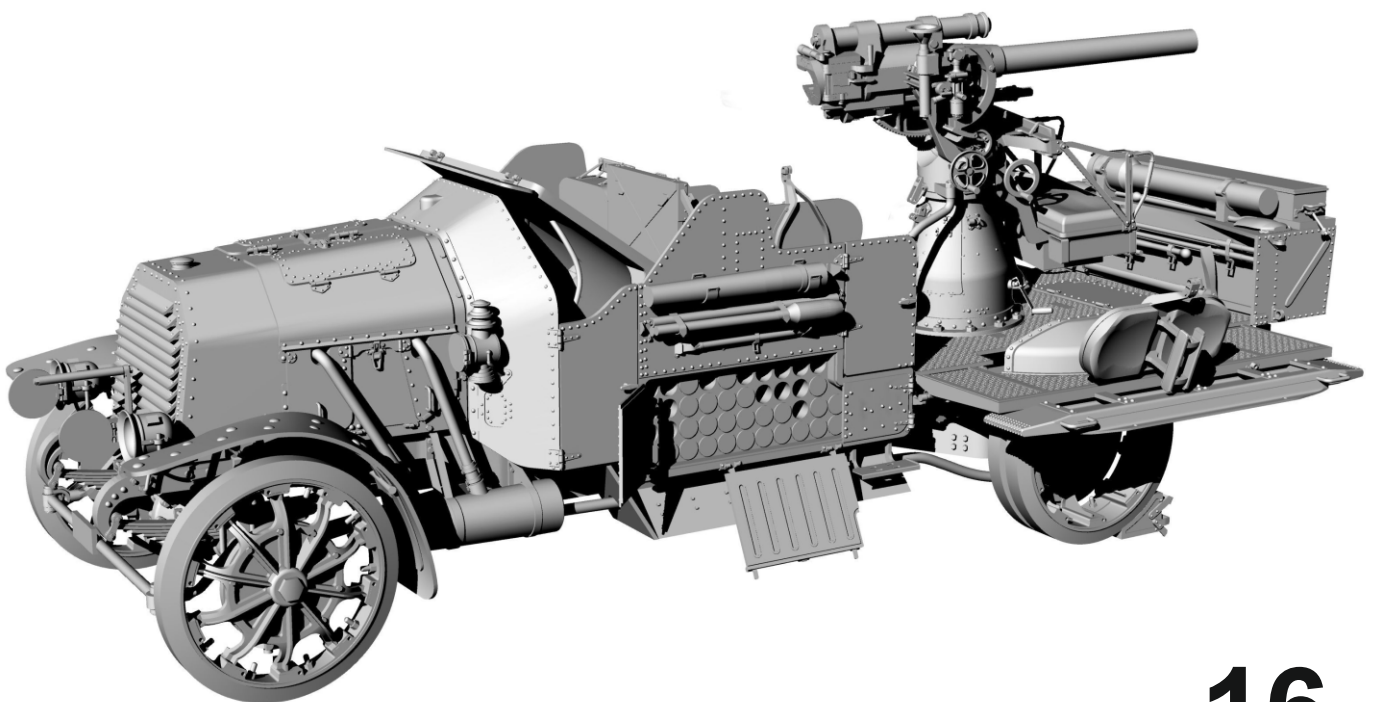


*transport position*



**15**

*shooting position.*



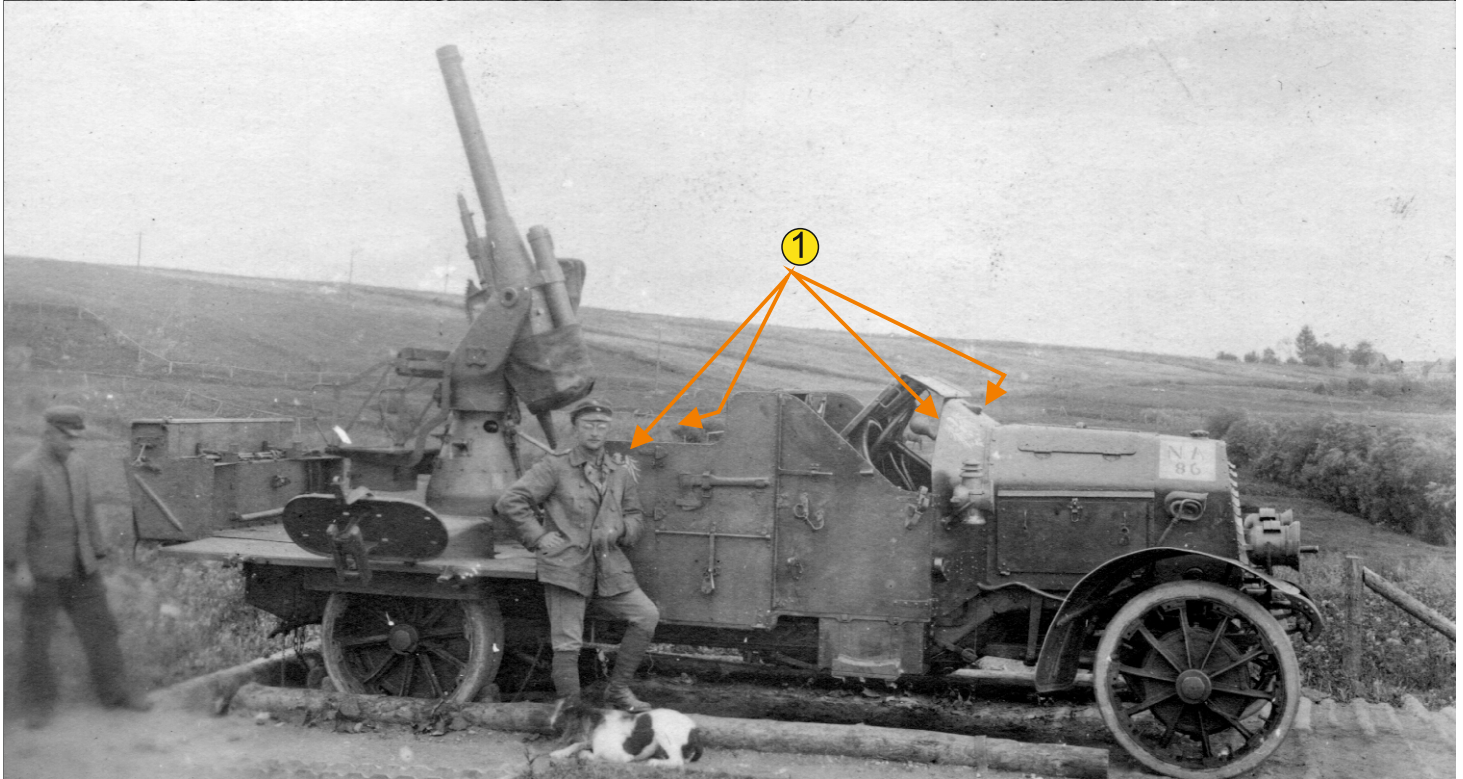
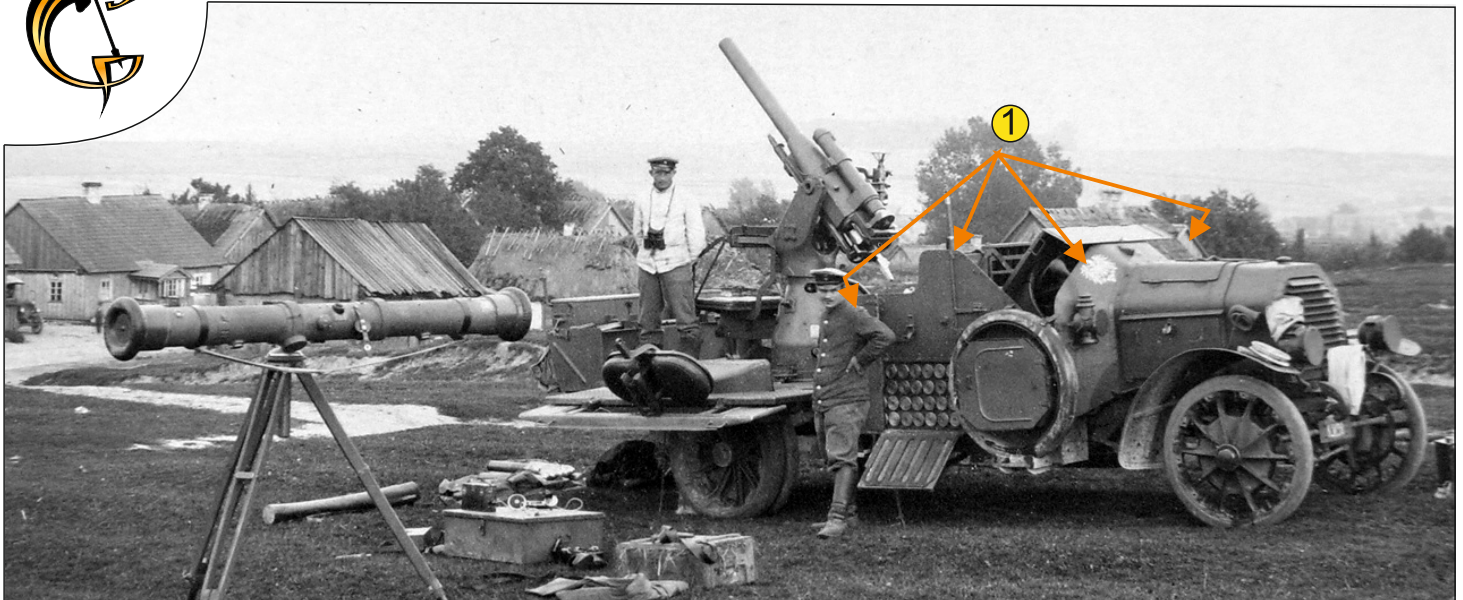
**16**










# German K.-Flak 7,7cm L/27 Rheinmetall - Daimler

GM123 1/35

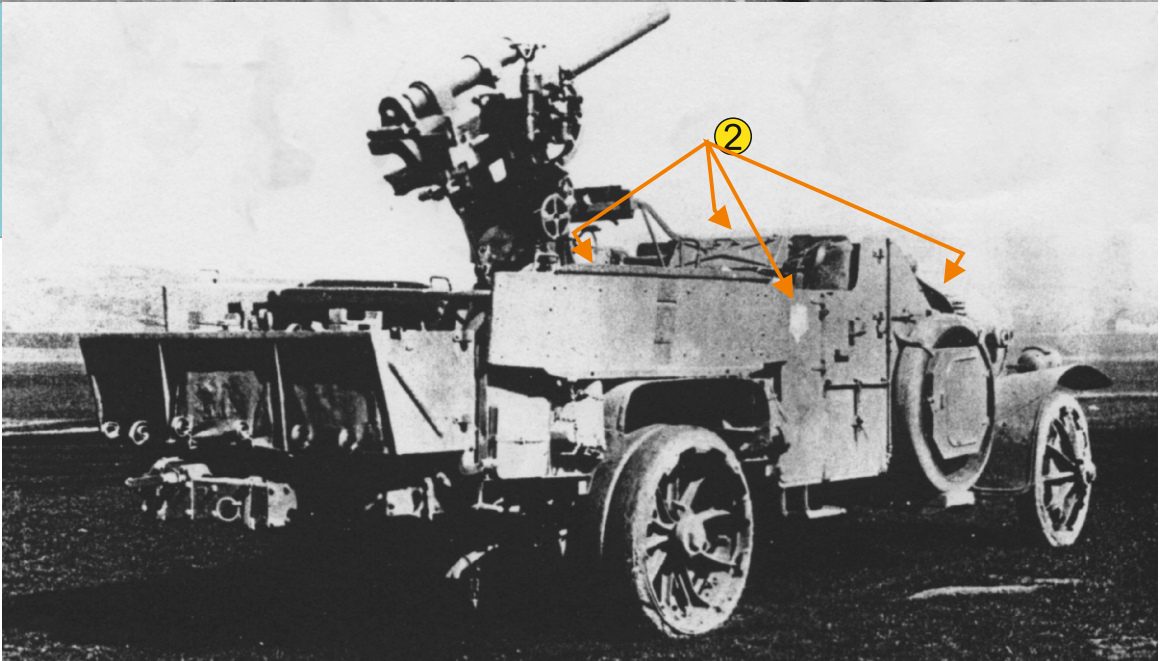


German K.-Flak 7,7cm L/27,  
Rheinmetall-Daimler 1/35

©    

©  NA 86 NA 86

St. George model GM 123



[artmaquette@mail.ru](mailto:artmaquette@mail.ru)

 St. George model