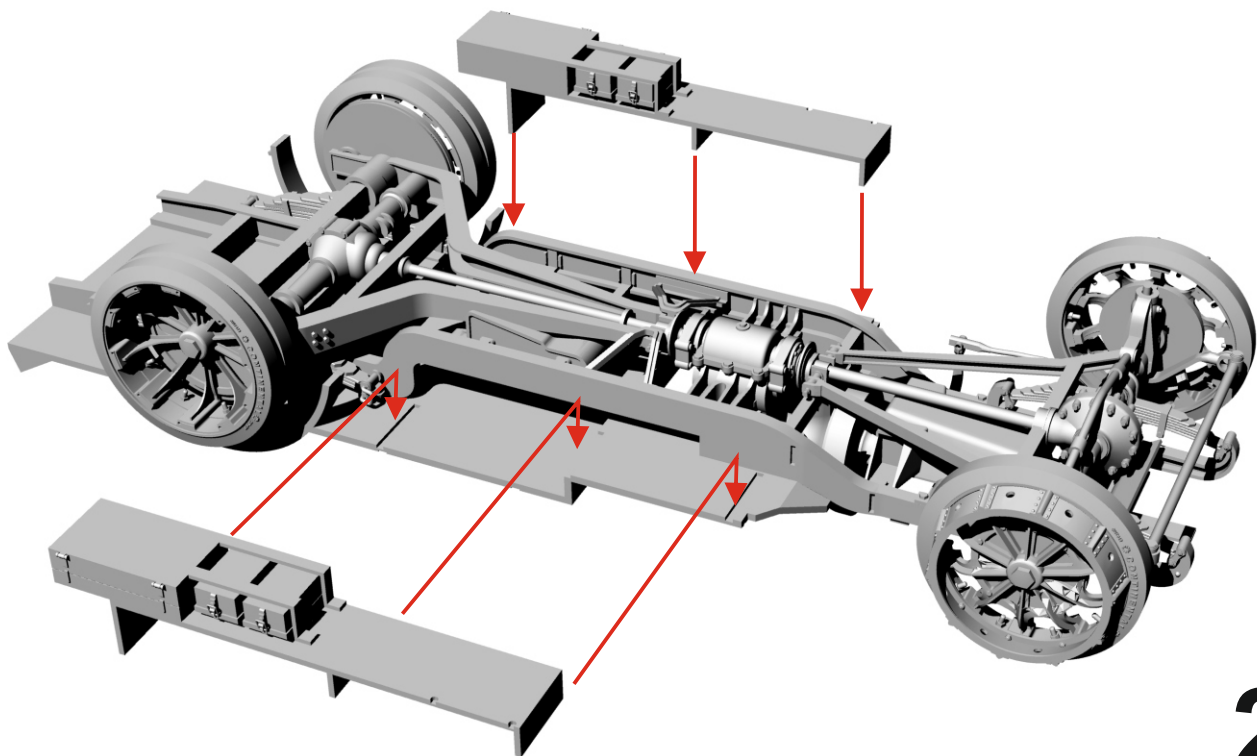
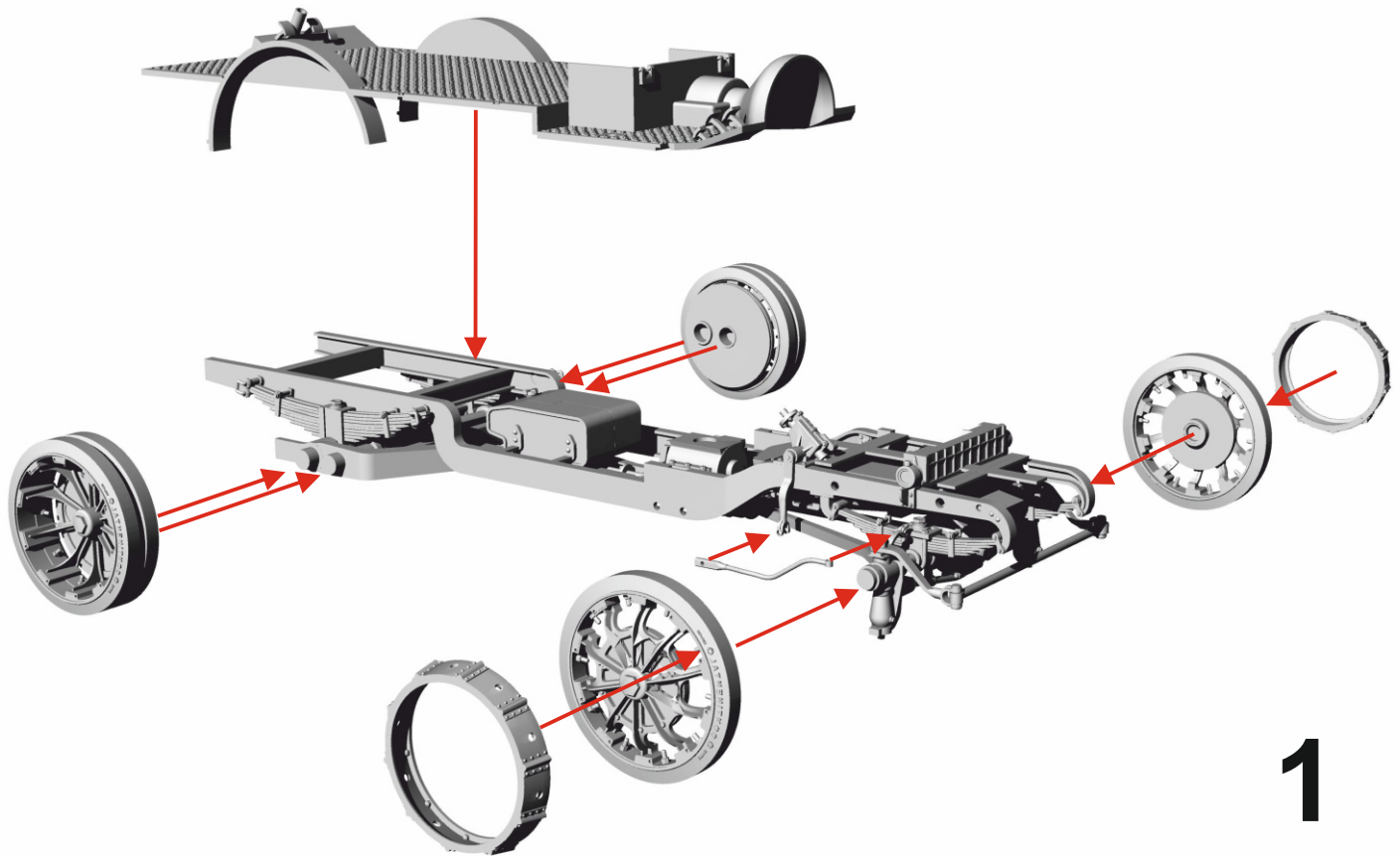




# German armored car Daimler, Model 1915

GM124 1/35

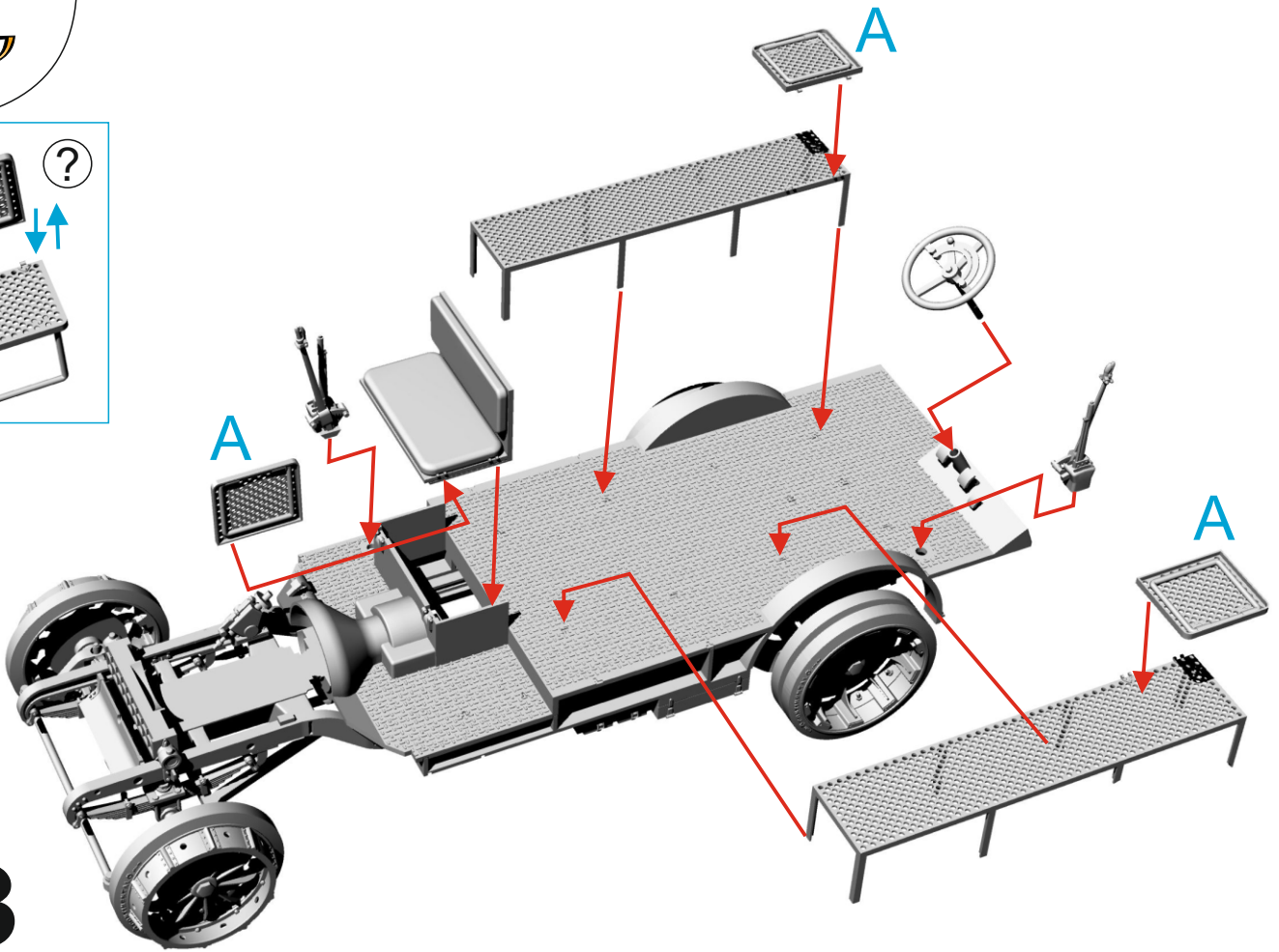
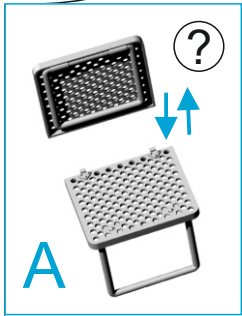
Attention! Some details in the instructions may differ in terms of equipment. These are kits of several individual parts or complex designs with combined parts.



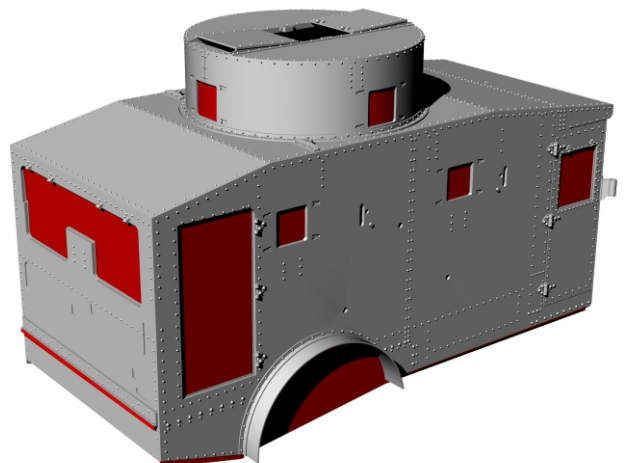
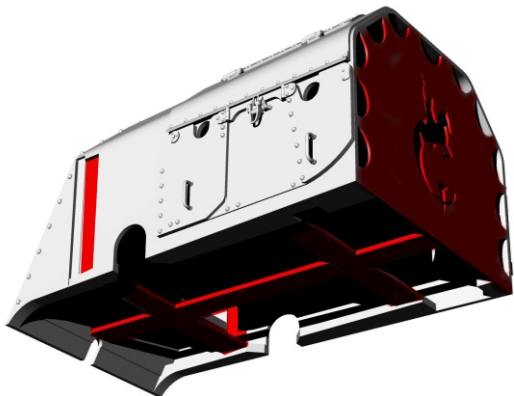
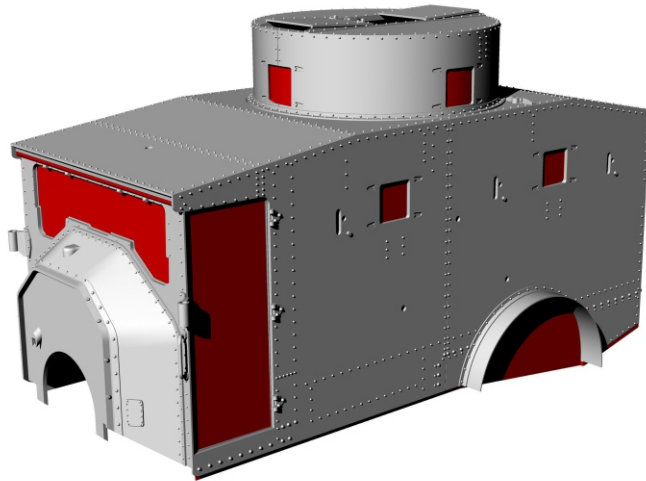


# German armored car Daimler, Model 1915

GM124 1/35



delete all places marked in red



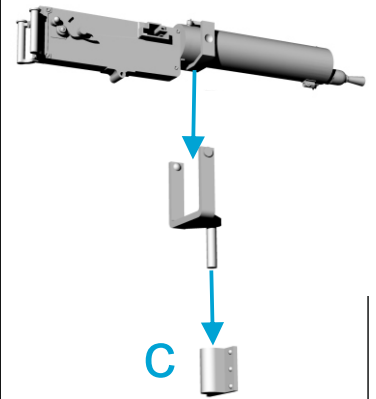
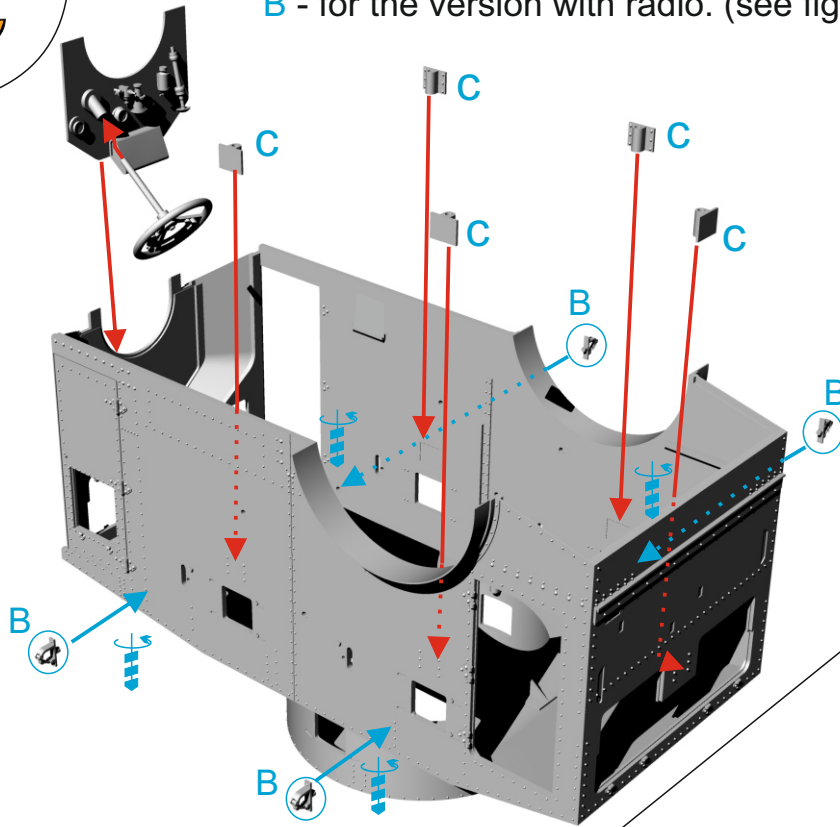
4



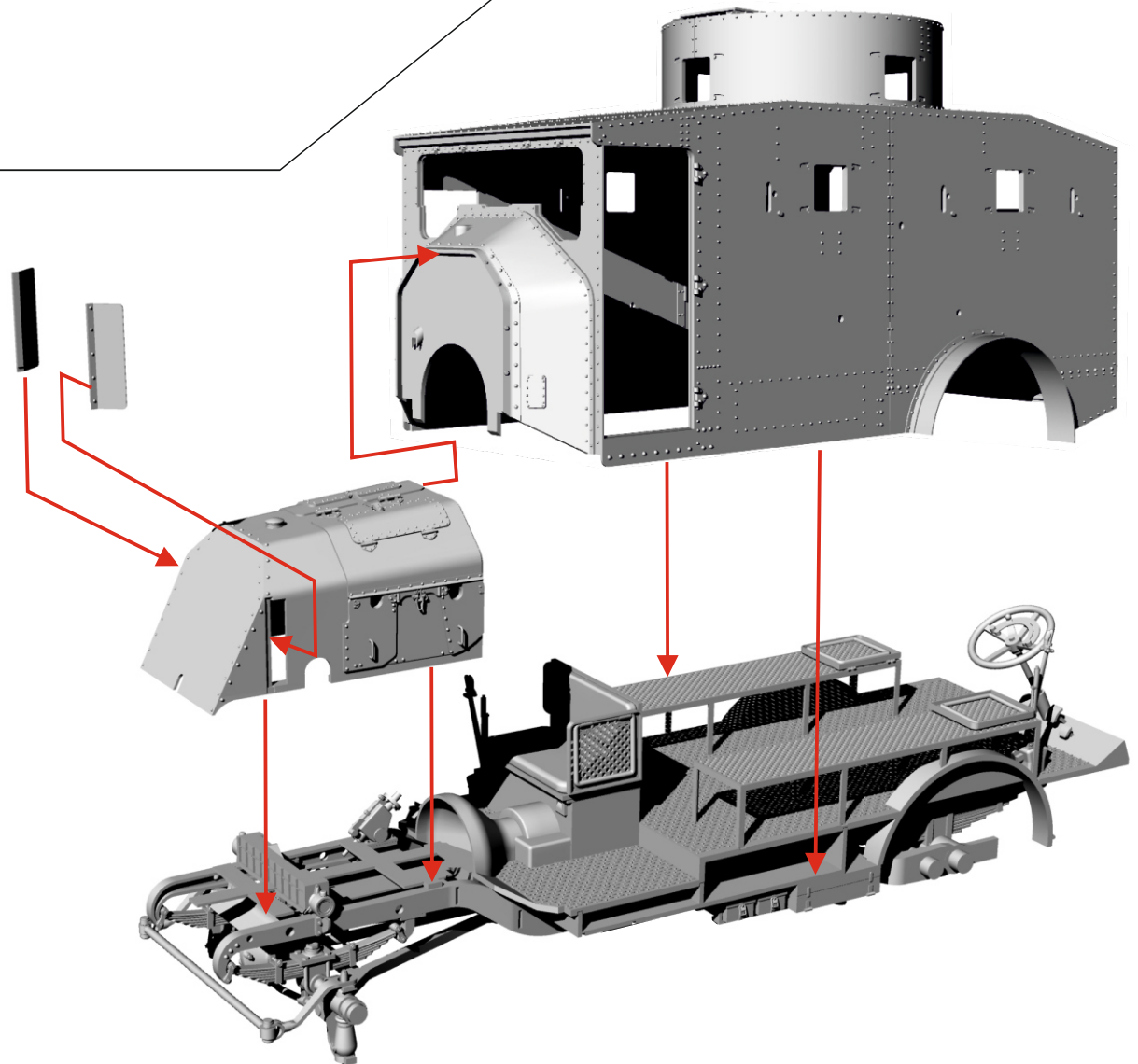
# German armored car Daimler, Model 1915

GM124 1/35

B - for the version with radio. (see fig.12)



5

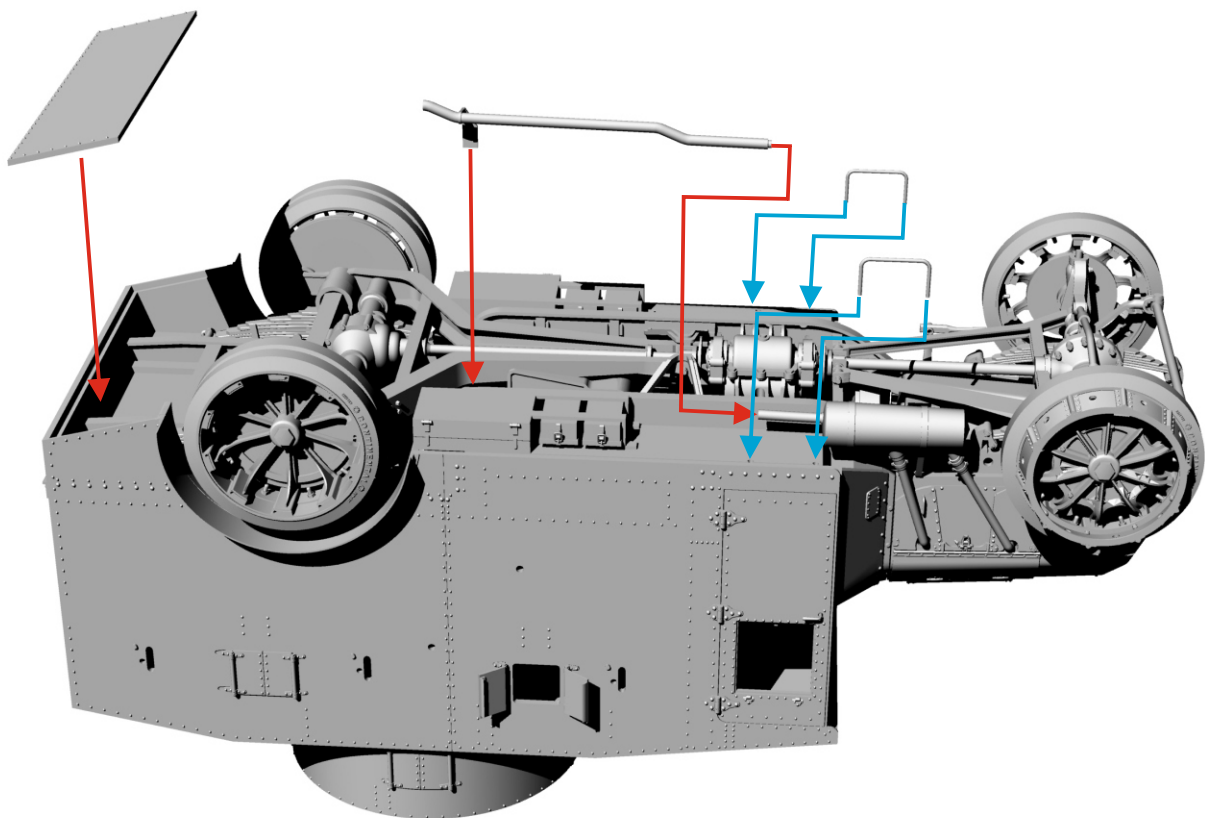
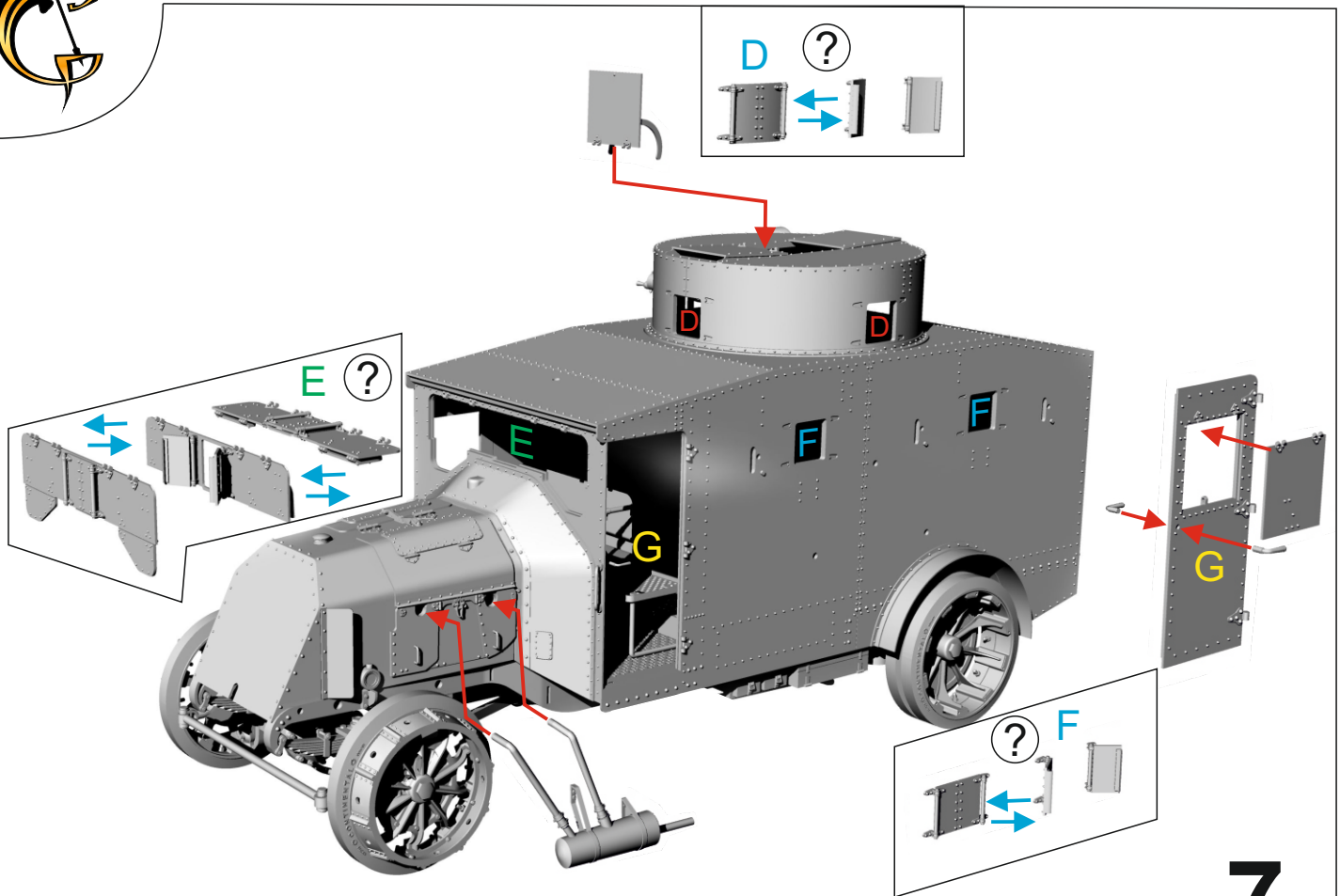


6



*German armored car Daimler,  
Model 1915*

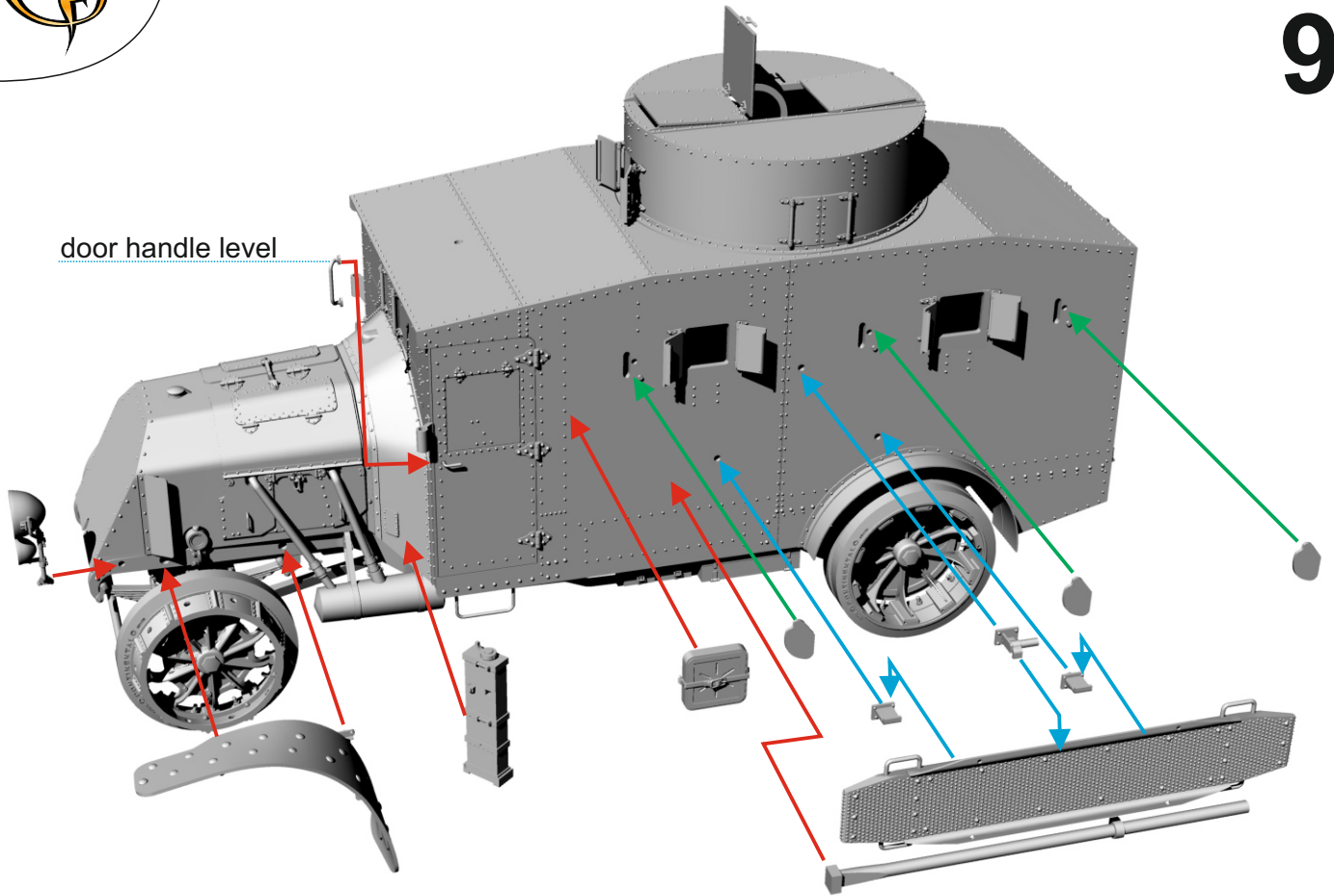
*GM124 1/35*



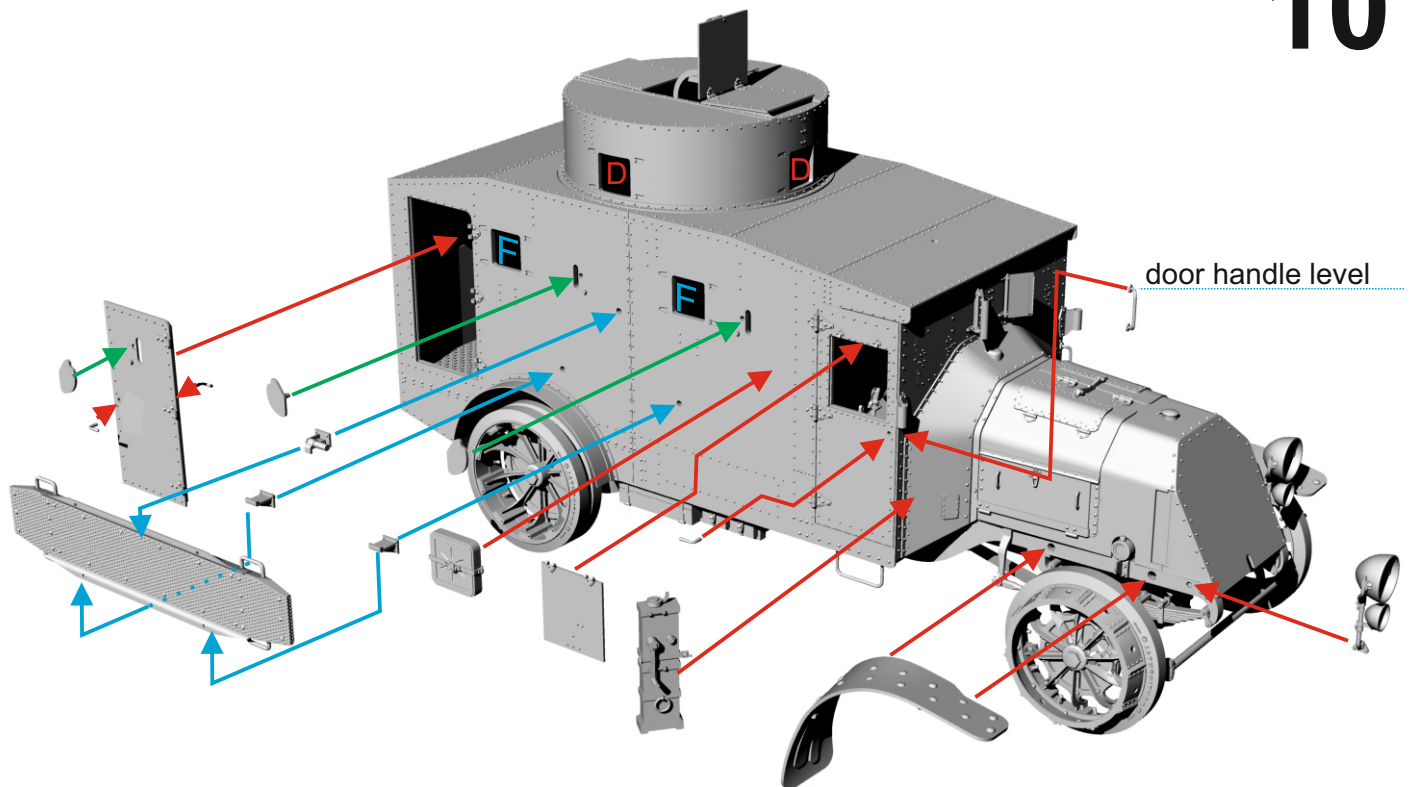




9



10



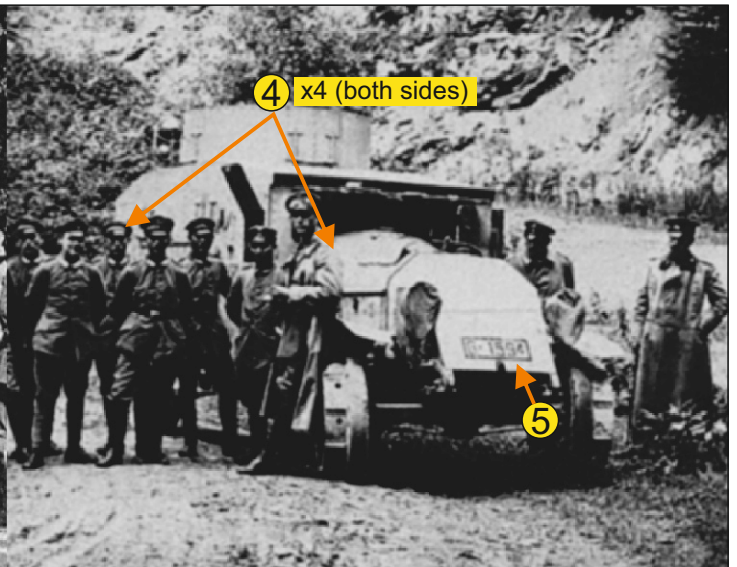
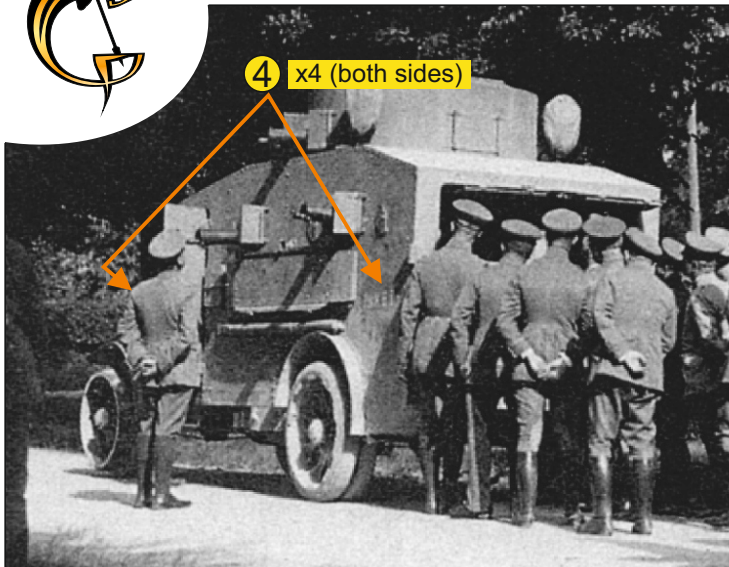




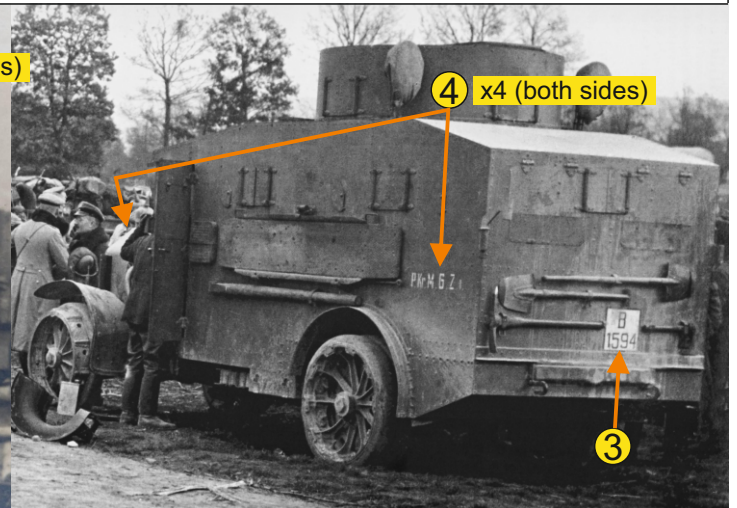
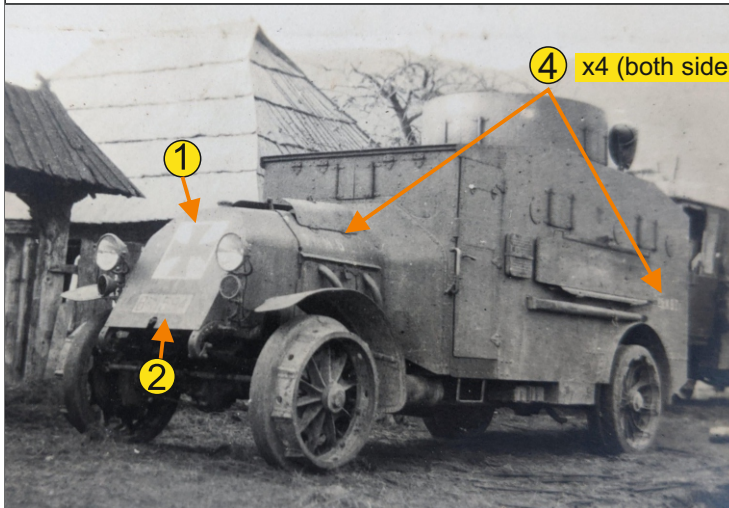


# German armored car Daimler, Model 1915

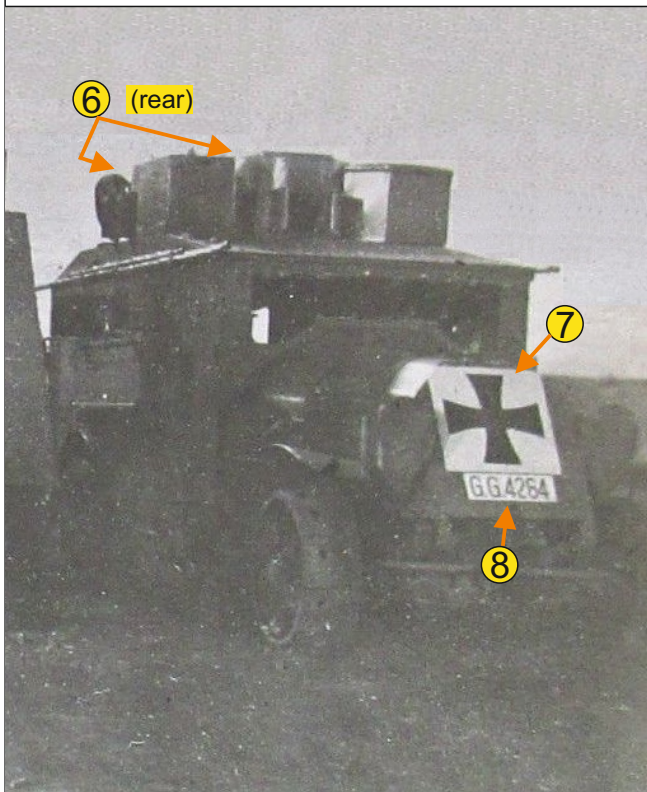
GM124 1/35



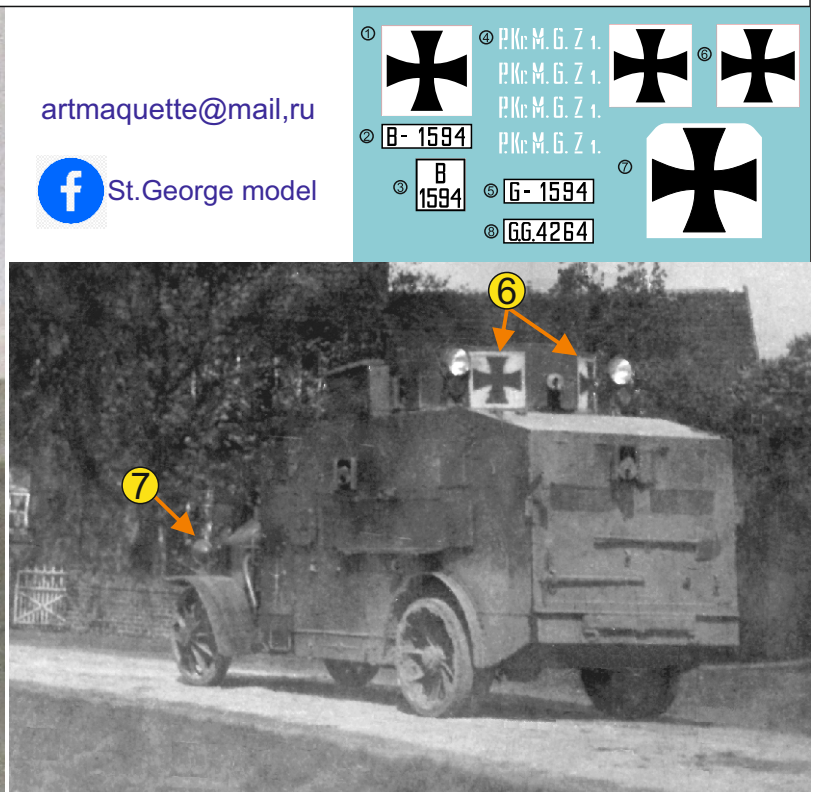
Alsace, 1915



Romania, 1916









Alsace, 1917



1917 - 1918

[artmaquette@mail.ru](mailto:artmaquette@mail.ru)

 St.George model

① 	④ P.K.: M. G. Z. i. P.K.: M. G. Z. i. P.K.: M. G. Z. i. P.K.: M. G. Z. i.		⑥ 
② B-1594			
③ 	⑤ 	⑦ 	
	⑧ GG4264		